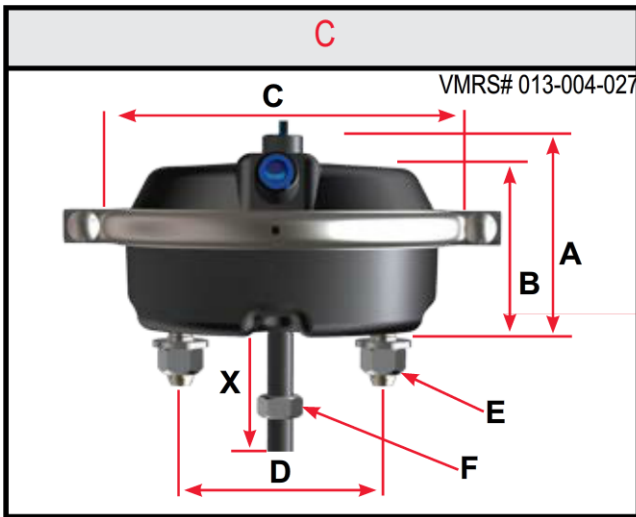


Standard Stroke Model

C Model Features

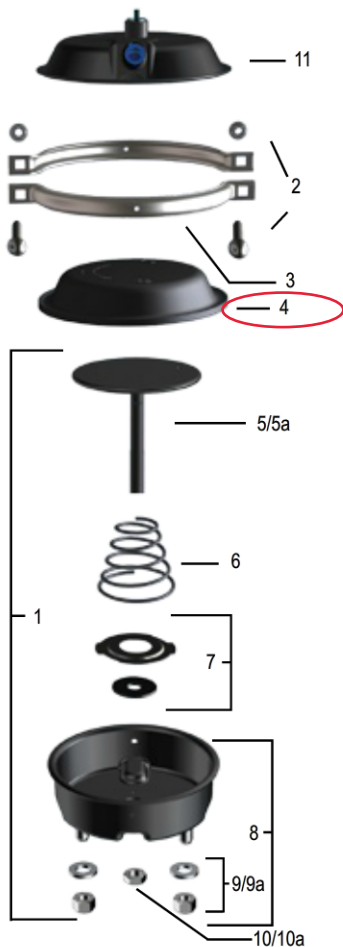
- Formed Steel Pressure Cap - Epoxy-Coated
- Formed Steel Non-Pressure Chamber - Epoxy-Coated
- Heavy-Duty Nylon Reinforced Diaphragms
- Top and Side Air Ports - 3/8" NPTF
- Center Hole Shield (Except type 12 and type 16)

P/N Series	1412	1416	1420	1427	1430	1436
Model	C12	C16	C20	C24L	C30	C36
Size	12	16	20	24	30	36
Stroke	1.75" (44.5 mm)	2.25" (57.2 mm)	2.25" (57.2 mm)	2.50" (63.5 mm)	2.50" (63.5 mm)	3.00" (76.2 mm)
P/N SAE	1412001	1416001	1420001	1427001	1430001	1436001
P/N Neoprene Diaphragm	N/A	N/A	1420801	1427801	1430801	1436801
P/N Welded Yoke (2.25")	N/A	N/A	N/A	1427901	1430901	N/A
P/N METRIC	N/A	N/A	1420202	1427202	1430202	1436202
Wt. lb (kg)	3.80 lb (1.7 kg)	5.90 lb (2.7 kg)	8.02 lb (3.6 kg)	9.00 lb (4.1 kg)	10.70 lb (4.9 kg)	15.88 lb (7.2 kg)
A	3.84" (97.5 mm)	4.43" (112.5 mm)	4.16" (105.7 mm)	4.42" (112.3 mm)	4.43" (112.5 mm)	5.12" (130.0 mm)
B	3.13" (79.5 mm)	3.64" (161.0 mm)	3.41" (86.6 mm)	3.67" (93.2 mm)	3.69" (93.7 mm)	4.52" (114.8 mm)
C	5.69" (144.5 mm)	6.66" (169.0 mm)	6.92" (175.8 mm)	7.34" (186.4 mm)	8.27" (210.0 mm)	9.44" (240.0 mm)
D	3.00" (76.2 mm)	3.00" (76.2 mm)	4.75" (120.7 mm)	4.75" (120.7 mm)	4.75" (120.7 mm)	4.75" (120.7 mm)
E	7/16" - 14 UNC		5/8" - 11 UNC (M16 x 1.5 - 6g)			
F	1/2" - 20 UNF		5/8" - 18 UNF (M16 x 1.5 - 6g)			
Inlets	3/8" - 18 NPTF		3/8" - 18 NPTF (M16 x 1.5 - 6H)			
X - Min.	4.00" (101.6 mm)		8.00" (203.2 mm)			

NOTE: Product information and specifications subject to change without notice.

Replacement Parts							
P/N Series	1412	1416	1420	1427	1430	1436	
Model	C12	C16	C20	C24L	C30	C36	
1	Kit - NP Chamber (b)	9015207	9015136	9015046	9015117	9015050	9015049
2	Kit - Nuts & Bolts	9003002	9003001	9003001	9003001	9003001	9003001
3	Clamp Band Assembly	8216012	8216018	8216020	8216025	8216045	8216036
4	Diaphragm	8017112	8017116	8017120	8017141	8017730	8017836
5	Kit - Push-Rod Assembly (b) SAE	9064018	9064019	9064001	9064002	9064003	9064004
5a	Kit - Push-Rod Assembly (b) METRIC	N/A	N/A	9064015	9064016	9064035	9064009
6	Return Spring	8068007	8068008	8068002	8068002	8068002	8068012
7	Kit - Center Hole Shield	N/A	N/A	9065002	9065002	9065002	9065002
8	NP Chamber Assembly (b)	8215142	8215023	8215169	8215105	8215501	8215036
9	Kit - Nuts & Washers SAE	9002003	9002003	9002001	9002001	9002001	9002001
9a	Kit - Nuts & Washers METRIC	N/A	N/A	9002002	9002002	9002002	9002002
10	Hex Nut - Yoke SAE	8130011	8130011	8130004	8130004	8130004	8130004
10a	Hex Nut - Yoke METRIC	N/A	N/A	8130016	8130016	8130016	8130016
11	Pressure Cap (2-inlets/steel)	8010066(a)	8210013	8210010	8210002	8210003	8010009
OPTIONAL ITEMS - For additional replacement parts, refer to Section 12							
Yoke Assembly		Refer to Replacement Parts Section 12					
Boot & Retainer		Refer to Replacement Parts Section 12					

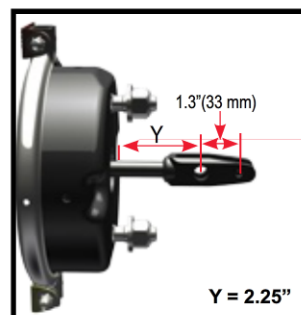
Note: (a) Type 12 pressure cap is cast aluminum.
 (b) To ensure correct stroke alert positioning, these kits must be used only on the designated MGM Brake units.



Center Hole Shield

Permits visual inspection of stroke alert but prevents entry of contaminants.

Welded Yoke Chamber



For more welded yoke choices, see page 104.

Note: Product information and specifications subject to change without notice.