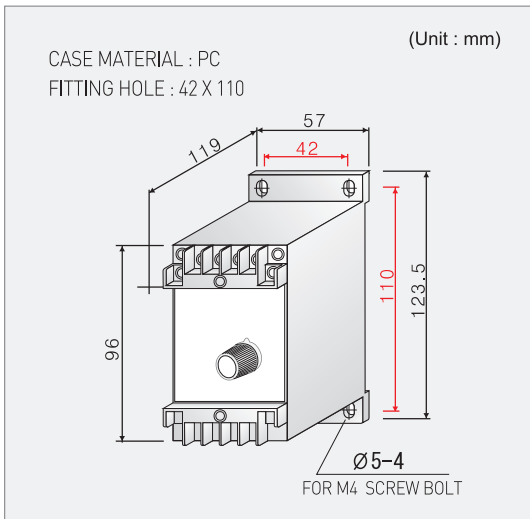


## FRONT VIEW

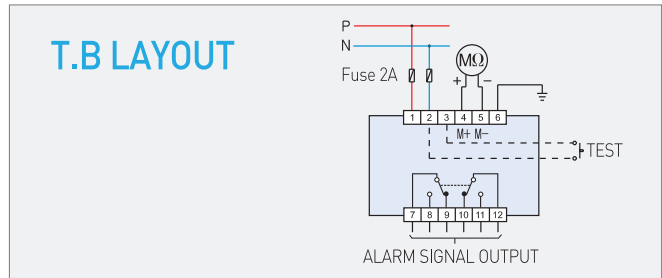


- ① Power indicating lamp (Green)
- ② Alarm (+Line) (Red)
- ③ Alarm (-Line) (Blue)
- ④ Alarm setting (MQ)

## DIMENSION



## T.B LAYOUT



## SPECIFICATIONS

MODEL	ISD24L	ISD48L
AUX. POWER RATING	DC 24V	DC 48V
RANGE OF POWER VARIATION	DC 19 ~ 30V	DC 38V ~ 60V
MAX. POWER CONSUMPTION	2W	
INSULATION MONITORING RANGE	$\infty \sim 1 \sim 0.02 \sim 0.001 \sim 0\text{M}\Omega$	
INSULATION VOLTAGE RANGE	DC 35V (max.)	DC 70V (max.)
DETECTOR ACCURACY	$\pm 5\%$ (0.005 ~ 0.2M $\Omega$ ) $\pm 10\%$ (under 0.005M $\Omega$ , 0.2M $\Omega$ above)	
ALARM SETTING RANGE	0.001 ~ 0.2M $\Omega$ (select by 12 steps selector switch) (.001-.002-.003-.004-.005-.007-.01-.02-.03-.05-.1-.2)	
ALARM DELAY TIME	3.0sec. ( $\pm 0.5$ sec.) Reset time : 0.5sec. or less	
ALARM SIGNAL OUTPUT	5A (resistive) 2A (inductive) 30V DC 5A (resistive) 2A (inductive p.f=0.4) 125V AC 3A (resistive) 1A (inductive p.f=0.4) 250V AC	
AMBIENT TEMP.	-20°C ~ +60°C	
STORAGE TEMP.	-40°C ~ +65°C	
DIELECTRIC STRENGTH	Between terminal to cabinet 1.5KV / 1min	
METER	Refer to page 45	
TEST BUTTON	Meter center (0.02M $\Omega$ ) Indication	

## CONNECTION DIAGRAM

