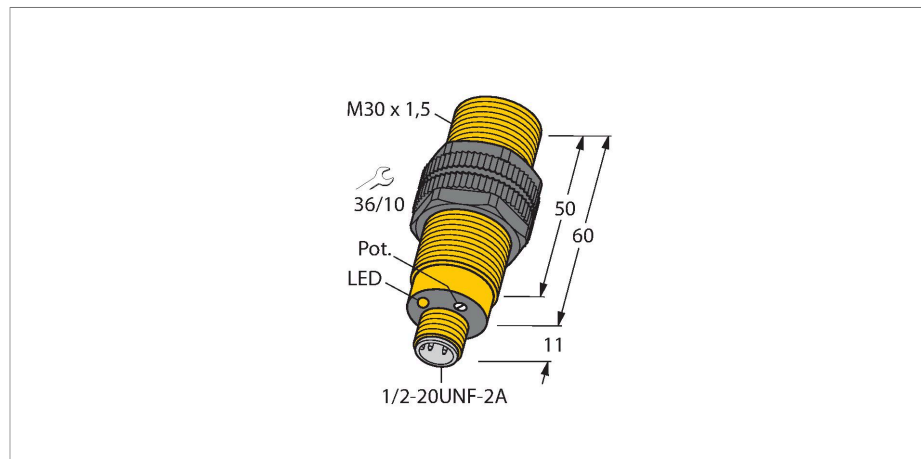


BCF10-S30-RZ3X-B3131

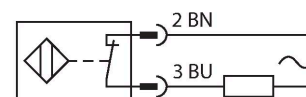
Capacitive Sensor



Features

- M30 × 1.5 threaded barrel
- Plastic, PA12-GF30
- Fine adjustment via potentiometer
- Increased EMI protection (even with high frequency equipment)
- Suited for highly viscous media
- AC 2-wire, 20...250 VAC
- NC contact
- 1/2" connector

Wiring diagram



Technical data

Type	BCF10-S30-RZ3X-B3131
ID	2506014
Rated switching distance (flush)	10 mm
Rated switching distance (non-flush)	10 mm
Secured operating distance	≤ (0.72 × Sn)
Hysteresis	2...20 %
Temperature drift	Typical 20 %
Repeat accuracy	≤ 2 % of full scale
Ambient temperature	-25...+70 °C
Electrical data	
Operating voltage	20...250 VAC
AC rated operational current	≤ 500 mA
Frequency	≥ 50...≤ 60 Hz
Smallest operating current	≥ 5 mA
Residual current	≤ 1.7 mA
Switching frequency	0.02 kHz
Isolation test voltage	≤ 1.5 kV
Output function	2-wire, NC contact, 2-wire
Voltage drop at I _o	≤ 7 V
Mechanical data	
Design	Threaded barrel, M30 × 1.5
Dimensions	60 mm
Housing material	Plastic, PA12-GF30, PEI

Functional principle

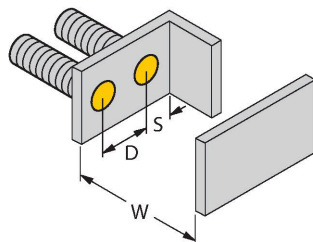
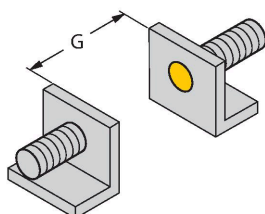
Capacitive proximity switches are designed for non-contact and wear-free detection of electrically conductive as well as non-conductive metal objects.

Technical data

Active area material	PA12-GF30, yellow
Admissible pressure on front cap	≤ 3 bar
Max. tightening torque of housing nut	5 Nm
Electrical connection	Connector, 1/2"
Vibration resistance	55 Hz (1 mm)
Shock resistance	30 g (11 ms)
Protection class	IP67
MTTF	1080 years acc. to SN 29500 (Ed. 99) 40 °C
Switching state	LED, Yellow

Mounting instructions

Product features



Distance D	60 mm
Distance W	30 mm
Distance S	45 mm
Distance G	60 mm
Diameter active area B	Ø 30 mm

The given minimum distances have been checked against the standard switching distance.
Should the sensitivity of the sensors be changed via potentiometer, the data sheet specifications no longer apply.