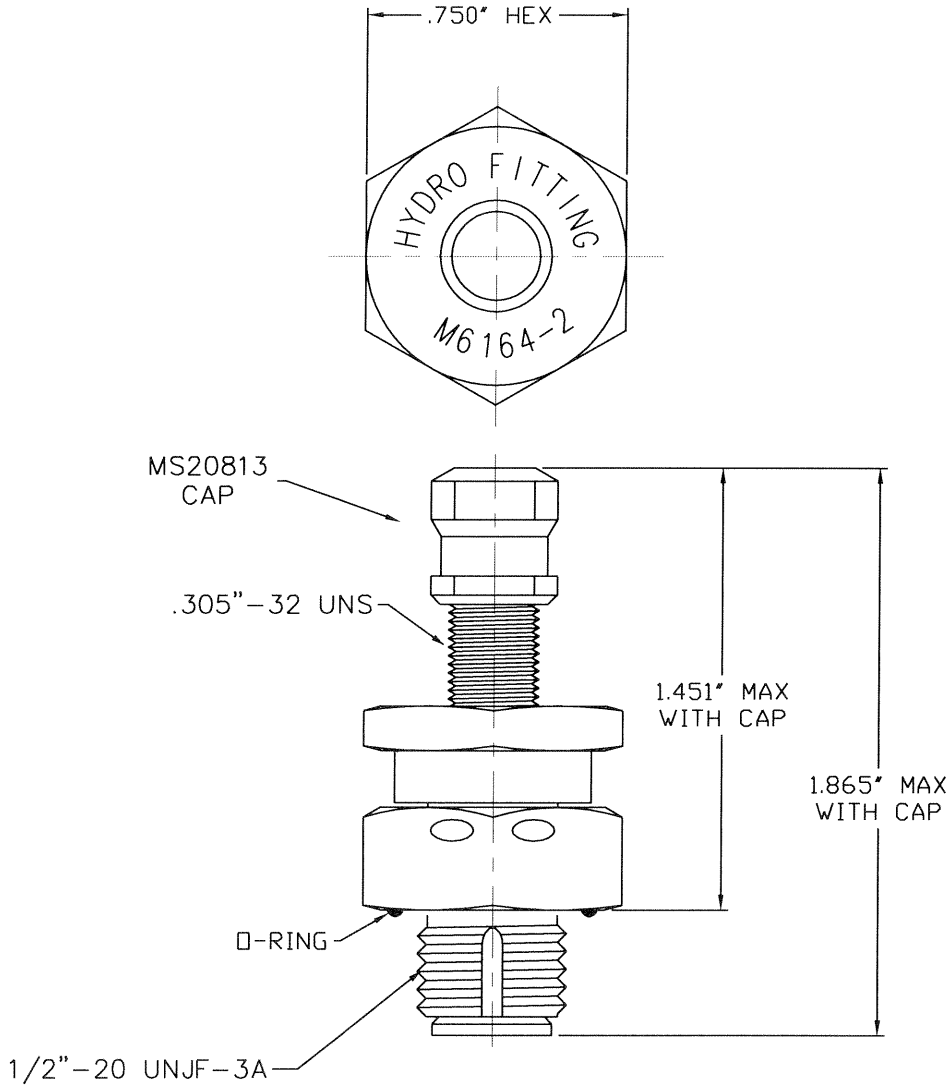



THIS DRAWING IS PROPRIETARY TO **HYDRO FITTING MFG.** CORP. ALL INFORMATION IS NOT TO BE REVEALED WITHOUT THE WRITTEN PERMISSION OF HYDRO FITTING.

REVISIONS			
REV.	DESCRIPTION	DATE	APPROVED

NOTES:

- 1) MATERIAL IS 303 CRES
- 2) MAX WORKING PRESSURE 5,000 PSI.
- 3) VALVE IS COMPATIBLE WITH MS28889-2
- 4) INSTALL VALVE INTO AN AS5202 OR MS33651 BOSS
- 5) CLOSING TORQUE 55 INCH LBS. ±5 INCH LBS.
- 6) TEMPERATURE RANGE -65°F TO 275°F
- 7) INSTALLATION TORQUE 125±5" LBS



APPROVALS	DATE	AIR CHARGING VALVE	
DRAWN	01/17/11	 <b>HYDRO • FITTING</b> MANUFACTURING CORPORATION	
RG	01/18/11		
MANUFACTURING	01/18/11	SIZE) F.SCM. NO.)	(DWG. NO.)
AR	01/18/11	A) 13899	CHFM6164-2
QUALITY CONTROL	01/18/11	SCALE	REV.
RN	01/18/11	□	SHEET 1 OF 1
FINAL CHECK	01/18/11		
SS	01/18/11		