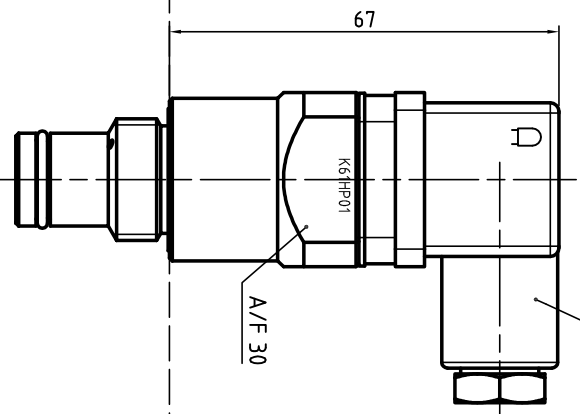


## K SERIE

EN 175301-803  
connector  
with lamp



### K SERIES TECHNICAL DATA:

#### MATERIALS:

- Body: Brass
- Internal parts: Brass / Nylon

#### TECHNICAL DATA:

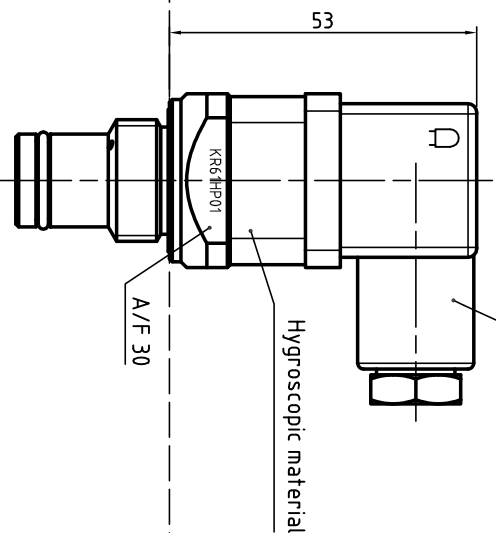
- Indicator type: Electrical/Visual indicator
- Max working pressure: 420 bar
- Proof pressure: 630 bar
- Burst pressure: 1260 bar
- Working temperature: -25°C + +110°C
- Compatibility with fluids: Mineral oil, Synthetic fluids, HFA, HFB, HFC fluids

#### • Resistive load: 0,8 A / 24 VDC

- Protection degree: IP 65

## KR SERIE

EN 175301-803  
connector  
with lamp



### KR SERIES TECHNICAL DATA:

#### MATERIALS:

- Body: Brass
- Internal parts: Brass / Nylon

#### TECHNICAL DATA:

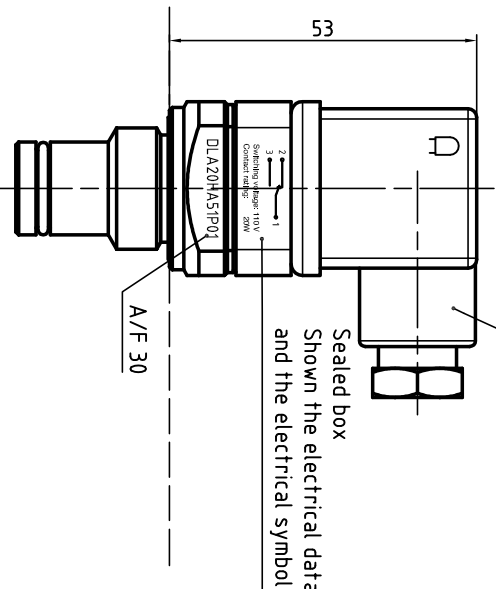
- Indicator type: Electrical/Visual indicator
- Max working pressure: 420 bar
- Proof pressure: 630 bar
- Burst pressure: 1260 bar
- Working temperature: -25°C + +110°C
- Compatibility with fluids: Mineral oil, Synthetic fluids, HFA, HFB, HFC fluids

#### • Resistive load: 0,8 A / 24 VDC

- Protection degree: IP 65

## DLA SERIE

EN 175301-803  
connector  
with lamp



### DLA SERIES TECHNICAL DATA:

#### MATERIALS:

- Body: FORGED BRASS
- Internal parts: Brass / Nylon

#### TECHNICAL DATA:

- Indicator type: Electrical/Visual indicator
- Max working pressure: 420 bar
- Proof pressure: 630 bar
- Burst pressure: 1260 bar
- Working temperature: -25°C + +110°C
- Compatibility with fluids: Mineral oil, Synthetic fluids, HFA, HFB, HFC fluids

#### • Resistive load: 0,8 A / 24 VDC

- Protection degree: IP 67 - IP 69k certification on progress