

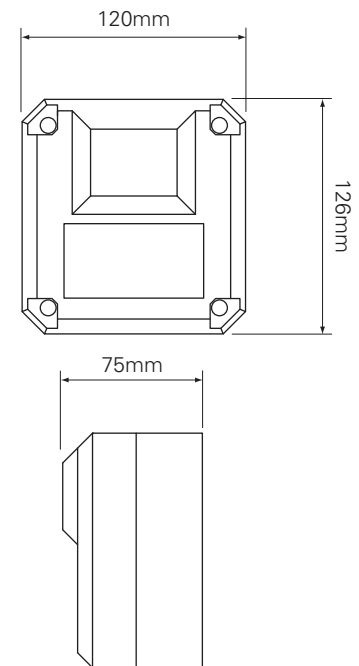
BG2 - Explosion-proof Manual Call Point

This manual call point has a corrosion resistant GRP body suiting it to the harsh hazardous environments found in both offshore and exposed onshore industrial environments.

ATEX

Technical Specification

Voltage	Up to 250Vac 5A (switch only) Up to 24Vdc (resistor + switch) (Fire use)
Current	5A (switch only)
Temperature	- 20°C to +50°C
Protection	IP66 / 67
Construction	UV stabilised GRP
Weight	1.2Kg
Colour	Red



Features

- Exed, Zone 1 and Zone 2 use
- IP66/67 protection
- Corrosion resistant
- -20°C to +50°C operating temperature range

Benefits

- Suitable for explosion protected applications
- Internal or exposed external applications
- Low maintenance
- Can be used in a wide range of harsh environments

Reference

BG2EDC1NR

BG2EDC3NR 470 671006FULL

Catalogue No.

PX800004

PX206166

Description

BG2 Call Point, EExed, Switch Only, No Flap, Painted Red

BG2 Call Point, EExed, 470R Series Resistor, No Flap, Painted Red