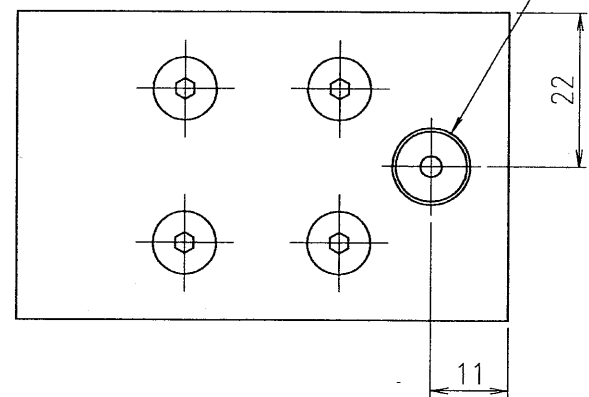


Rc1/4 SUPPLY PORT

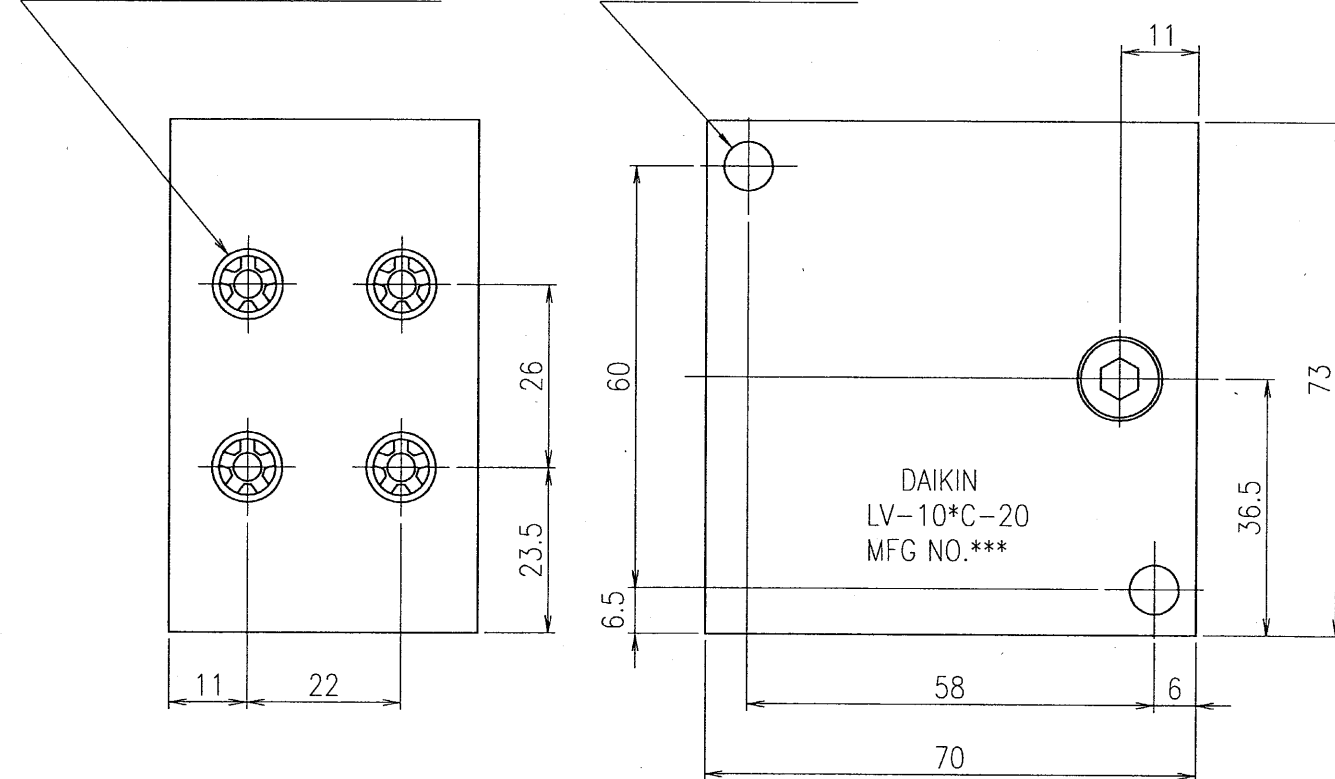


SPECIFICATIONS

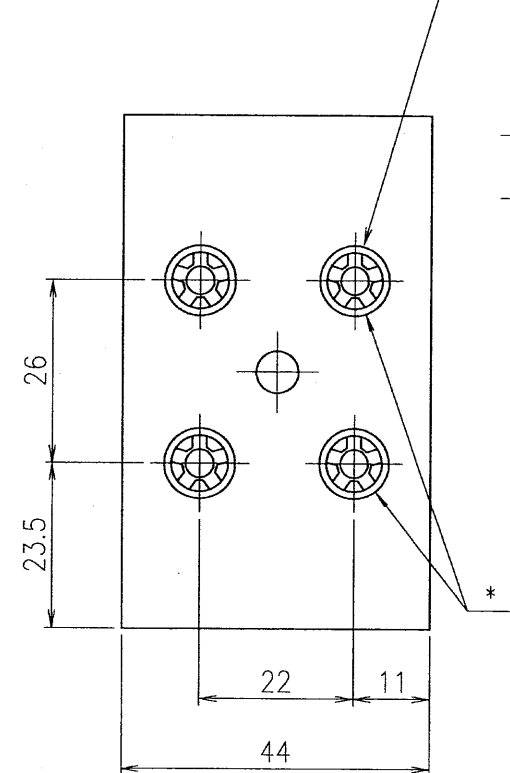
MODEL	LV-106C-20	LV-108C-20
NUMBER OF DISCHARGE PORTS	6	8
MAX. WORKING PRESSURE	21MPa	
MIN. OPERATED PRESSURE	1.2MPa	
DISCHARGE VOLUME	0.16cm ³ /STROKE	
APPLICABLE LUBRICANT	NLGI #0 TO #1 GREASE	
ACCESSORIES	CROSS RECESSED HEAD MACHINE SCREW M6x60L HEXAGONAL NUTS, SPRING WASHERS ... EACH 2 PCS	
MASS	1.7kg	

4-Rc1/8 DISCHARGE PORTS

2-HOLES φ7 DIA.



4-Rc1/8 DISCHARGE PORT



NOMENCLATURE

LV - 1 ** C - 20

- LV - 1 : DESIGN NO.
- ** : WITH CHECK VALVE
- C : NUMBER OF DISCHARGE PORTS
- 20 : SIZE
- 06 : 6 PORTS
- 08 : 8 PORTS
- BASIC MODEL

NOTE

1. Because LV type distributing valve is the progressive type mechanism, if its discharge port is plugged, it will not work any longer.
2. This drawing shows LV-108C-20 type.
As to LV-106C-20 type, 2 discharge ports shown by mark "*" are already plugged.
3. When two or three times as much of lubricant volume is required, or number of discharge port is required to be reduced, Collective attachment of T320-2 type (for collecting 2 ports) or T320-3 type (for collecting 3 ports) should be used.

Secret (秘)

△	--				TITLE	LV-1**C-20	DIMENSIONS
△	--					DISTRIBUTING VALVE	
△	--				DAIKIN	DWG NO.	SCALE
△	OCT.-20-2008	M.OHASHI	K. Yamazaki	A. Kumano	LUBRICATION PRODUCTS & ENGINEERING CO.,LTD.	FC32587E	1/1
REV	DATE	DRAWN	CHK'D	APPR.D			REV