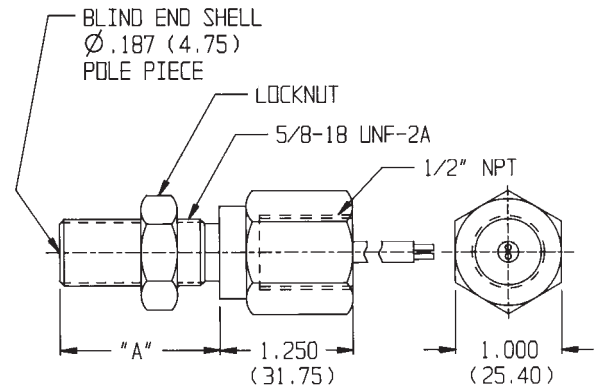
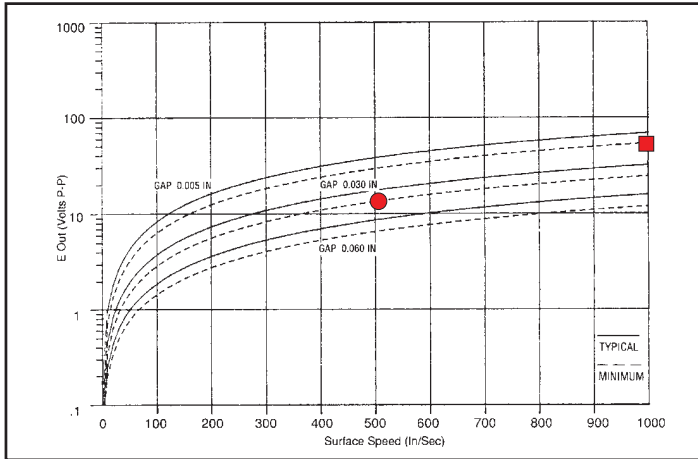


## FM Sensors

Ordering Part #	Thread Length (A)	
70085-1010-404	1.500	(38.10)
70085-1010-406	2.750	(69.85)
70085-1010-417	4.000	(101.60)
70085-1010-420	6.000	(152.40)

**Rating:** FM listed for hazardous location.  
Class I, Div 1, Group D.  
Consult factory for ATEX listing.

### Performance Curves



### Specifications:

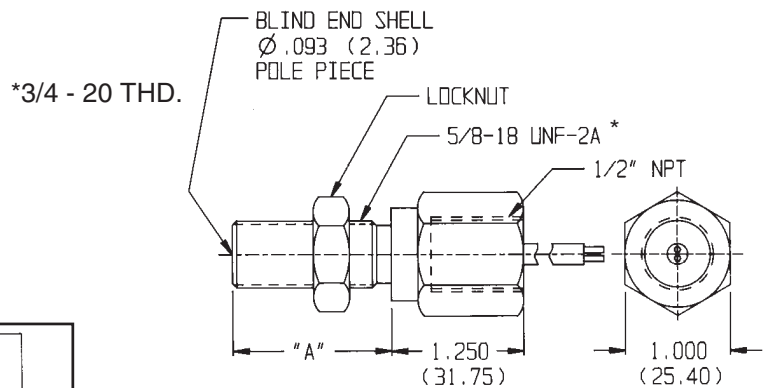
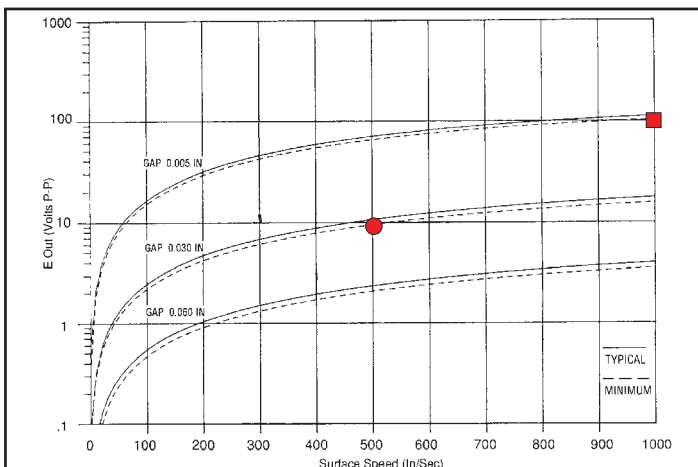
- Output Voltage (Standard): 60V (P-P)
- Output Voltage (Guarantee Point): 13.4V (P-P)
- DC Resistance: 210 ohms max.
- Typical Inductance: 75 mH max.
- Output Polarity: White lead positive
- Operating Temperature: -55 to +220°C
- Cable Length: 15 ft. (4.57m)
- Net Weight: 16 oz. max.

## FM Sensors

Ordering Part #	Thread Length (A)	
70085-1010-403	1.500	(38.10)
70085-1010-405	2.750	(69.85)*
70085-1010-415	4.000	(101.60)
70085-1010-416	6.000	(152.40)

**Rating:** FM listed for hazardous location.  
Class I, Div 1, Group D.  
Consult factory for ATEX listing.

### Performance Curves



### Specifications:

- Output Voltage (Standard): 90 V (P-P)
- Output Voltage (Guarantee Point): 9.4 V (P-P)
- DC Resistance: 750 ohms max.
- Typical Inductance: 210 mH max.
- Output Polarity: White lead positive
- Operating Temperature: -55 to +232° C
- \*Mounting Thread: -0405, 3/4 - 20 UNEF-2A
- Cable Length: 15 ft (4.57 m)
- Net Weight: 16 oz. max.

Dimensions in inches and (mm).