

DIGITAL TORQUE DRIVER

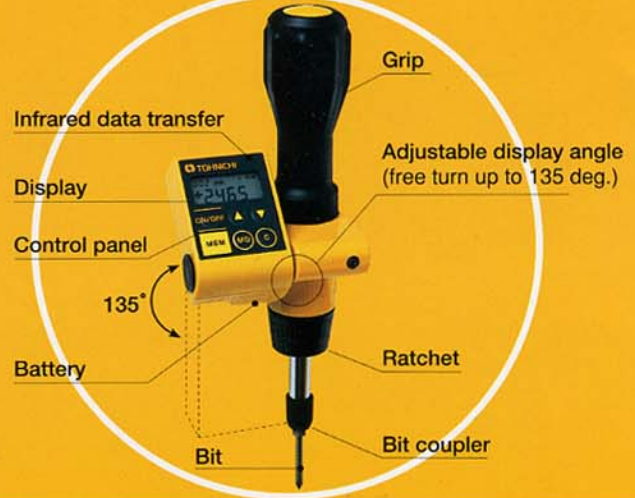
SCREW TORQUE CHECKER MODEL

STC

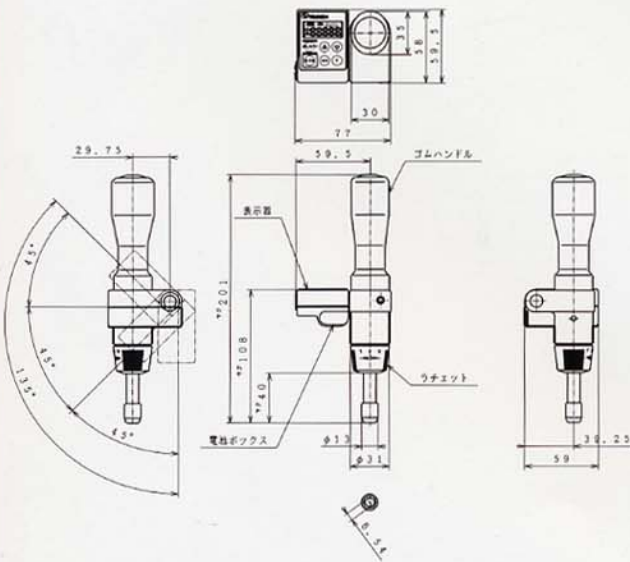
Applicable for inspection
with loosening torque,
re-tightening torque methods.
Can be used for tightening
screws accurately and easily.



- Digital display decreases chance of reading error
- Built-in battery consumption indicator
- High working efficiency created by ratcheting function
- Rubber grip provides easy operation



MODEL	DISPLAY CAPACITY	MEASURING RANGE	RESOLUTION
5STC	0.015 ~ 5.5 kgf·cm	1 ~ 5 kgf·cm	0.005 kgf·cm
20STC	0.06 ~ 22 kgf·cm	4 ~ 20 kgf·cm	0.02 kgf·cm
40STC	0.15 ~ 44 kgf·cm	8 ~ 40 kgf·cm	0.05 kgf·cm
STC70Z	0.3 ~ 77.0 in.oz.	14 ~ 70.0 in.oz.	0.1 in.oz.
5STC-A	0.015 ~ 5.5 in.lbs.	1 ~ 5 in.lbs.	0.005 in.lbs.
20STC-A	0.06 ~ 22.00 in.lbs.	4 ~ 20.0 in.lbs.	0.02 in.lbs.
40STC-A	0.15 ~ 44.00 in.lbs.	8 ~ 40.0 in.lbs.	0.05 in.lbs.
STC50CN	0.15 ~ 55 cN·m	10 ~ 50 cN·m	0.05 cN·m
STC200CN	0.6 ~ 220 cN·m	40 ~ 200 cN·m	0.2 cN·m
STC400CN	1.5 ~ 440 cN·m	80 ~ 400 cN·m	0.5 cN·m



- ACCURACY** : ±1%+1 digit
- DISPLAY** : LCD display
Count value 3 figures
Torque value 4 figures
- MODE** : PEAKIRUN
- FUNCTION** : Sampling number, Maximum, Minimum, Means
- MEMORY** : 100 data
- DATA OUT PUT** : Infrared ray
(Optional for Data tank R-DT100-3)
- OTHER FUNCTIONS** : Auto-power off, Auto-reset, Battery check
- POWER SOURCE** : 2 ea. AAA batteries
- LIFE OF BATTERY** : 16 Hours
- OPERATING CONDITIONS** : Temperature 0-40°C
Moisture below 85%RH
- WEIGHT** : 0.43kg

TOHNICHI World Wide Torque Product Supplier



TOHNICHI MFG. CO., LTD.

HEAD OFFICE 2-12, Omori-Kita 2-Chome, Ota-ku, Tokyo 143, Japan
 ☎ 81 3 3762-2455
 FAX 81 3 3761-3852
 E-Mail overseas@tohnichi.co.jp
 WebSite http://www.tohnichi.co.jp

N.V. TOHNICHI EUROPE S.A.

Industrieweg 27, Boortmeerbeek, B-3190 Belgium
 ☎ 32 16 60 66 61
 FAX 32 16 60 66 75
 E-Mail tohnichi-europe@online.be

TOHNICHI AMERICA CORP.

677 Academy Drive Northbrook, Illinois 60062, U.S.A.
 ☎ 1 847 272-8480
 FAX 1 847 272-8714
 E-Mail inquiry@tohnichi.com
 WebSite http://www.tohnichi.com