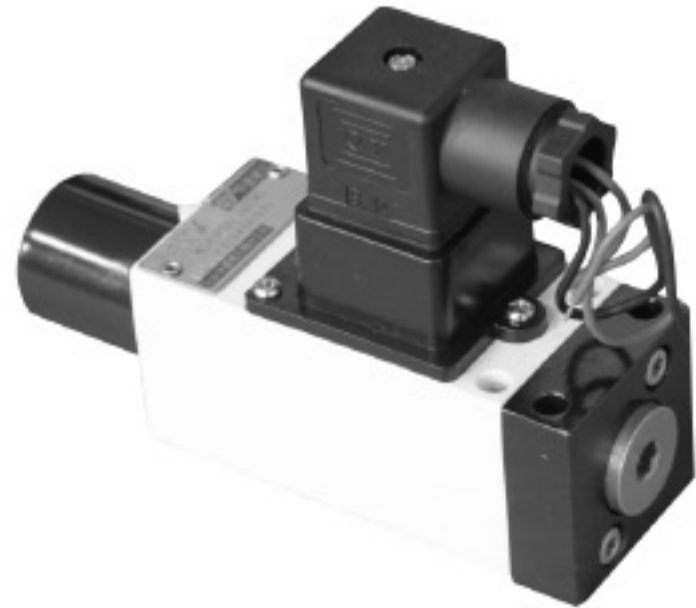


BEIJING HUADE HYDRAULIC INDUSTRIAL GROUP CO.,LTD.	Piston Type Pressure Switch Type HED 4 ,Series 40	RE30180/12.2004
	up to 35 MPa	Replaces: RE30180/05.2001

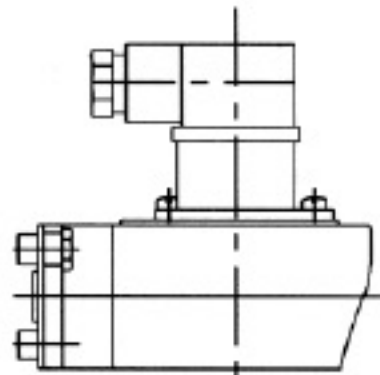
Features:

- For subplate mounting
- For pipe installation
- 3 pressure stages
- Plug-in connector with circuit (indicator lamp)
(separate order)

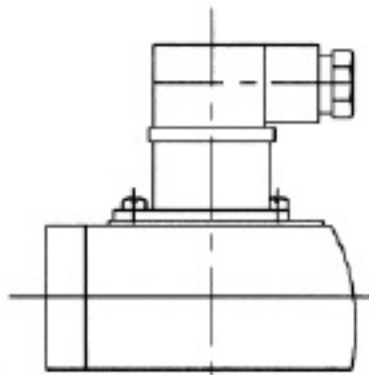


Features

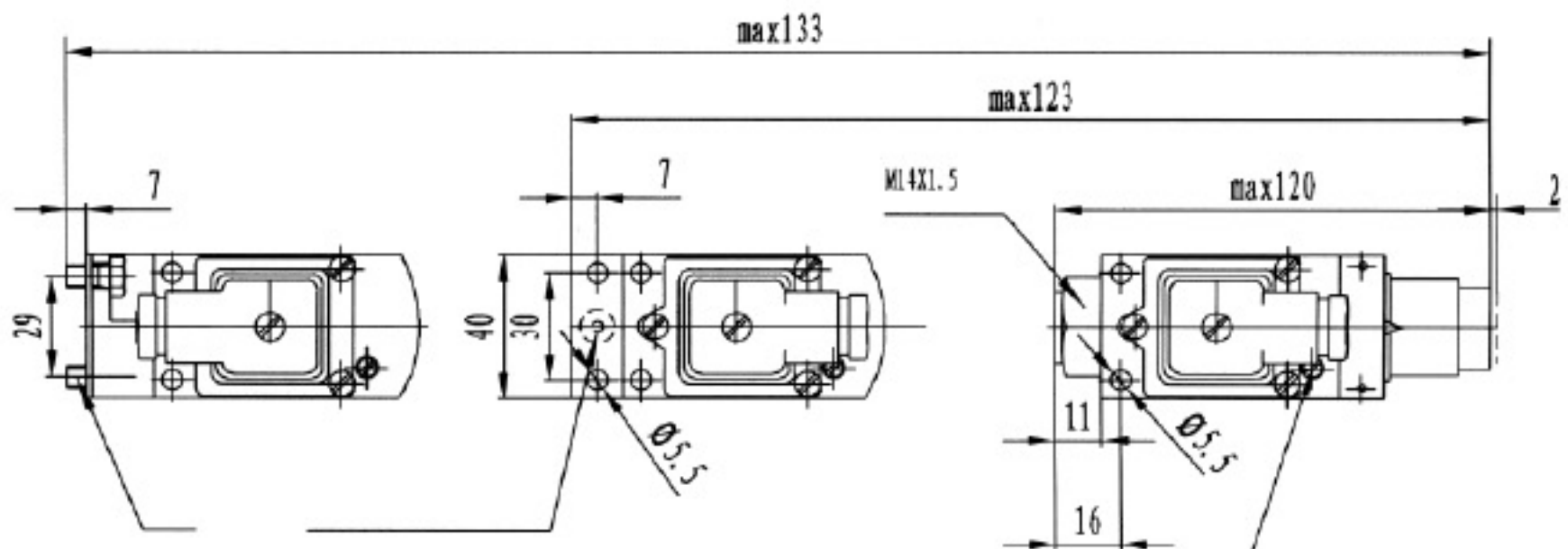
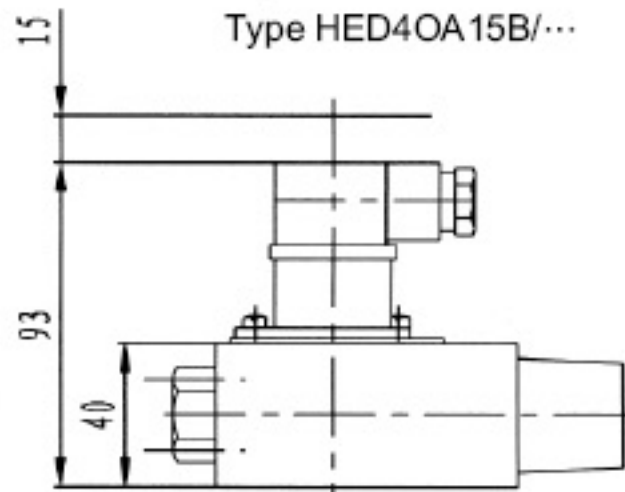
Vertical stacking systems
Type HED4OH15B/...



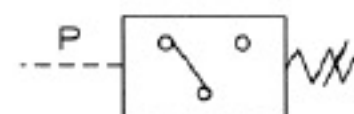
Subplate mounting
Type HED4OP15B/...



Pipe installation
Type HED4OA15B/...



screw is loosened before adjusting pressure
screw is screwed down after adjusting pressure



Ordering details

HED40		15	B	/			S		*
-------	--	----	---	---	--	--	---	--	---

Vertical stacking systems	= H
Subplate mounting	= P
Pipe installation	= A

Further details in
clear text

Series 15(10 to 19: unchanged installation and connection dimensions) =15

Technology of Beijing Huade Hydraulic = B

Max. settable pressure 5 MPa	= 50
Max. settable pressure 10 MPa	= 100
Max. settable pressure 35 MPa	= 350

connected by small plug =Z14

Lamp for 24 V (25 V to 35 V)	= L 24
Lamp for 110 V (90 V to 130 V)	= L110
Lamp for 220 V (180 V to 240 V)	= L220

with protective cap =S

Mineral oil	= No code
Phosphate ester (other seals on request)	= V

*Should be orderd separately for horizontal stacking

Technical data (for applications outside these parameters, please consult us!)

Pressure setting range (MPa)

Pressure stage	Max. operating pressure	Recover pressure		Action pressure	
		min.	max.	min.	max.
5	10	0.2	4.6	0.4	5
10	35	0.3	8.9	0.8	10
35	35	0.6	32.2	2	35

Viscosity range 10 to 800mm² /s

Switching accuracy (repeatability) < ± 1% of set pressure

Switching frequency 120/min

Max. connection cross sectional area 1.5mm²

Contact loading - AC250V;5A

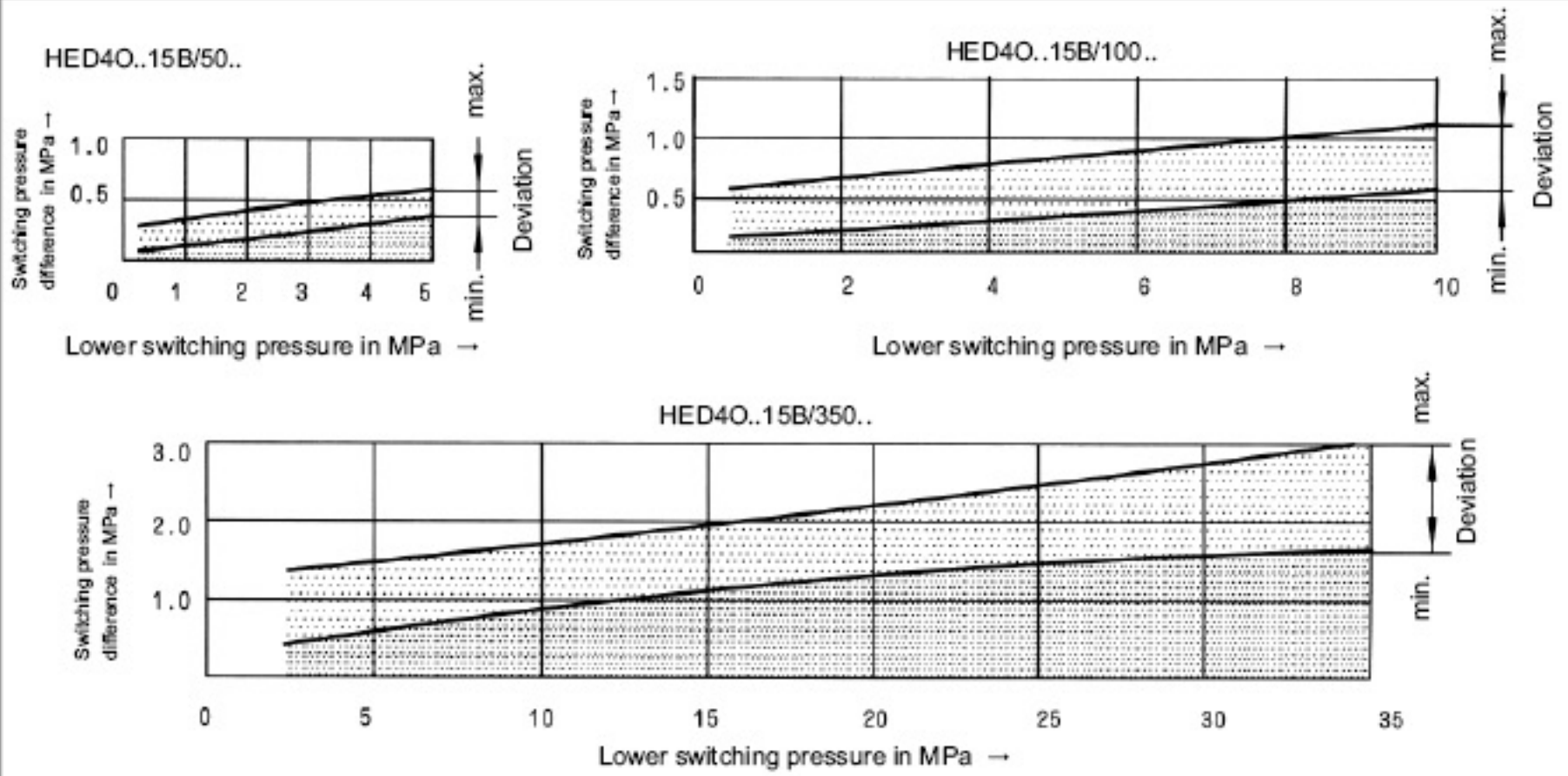
- DC50V,1A or 250V,0.2A

Weight - Hydro-electric pressure switches 0.6Kg

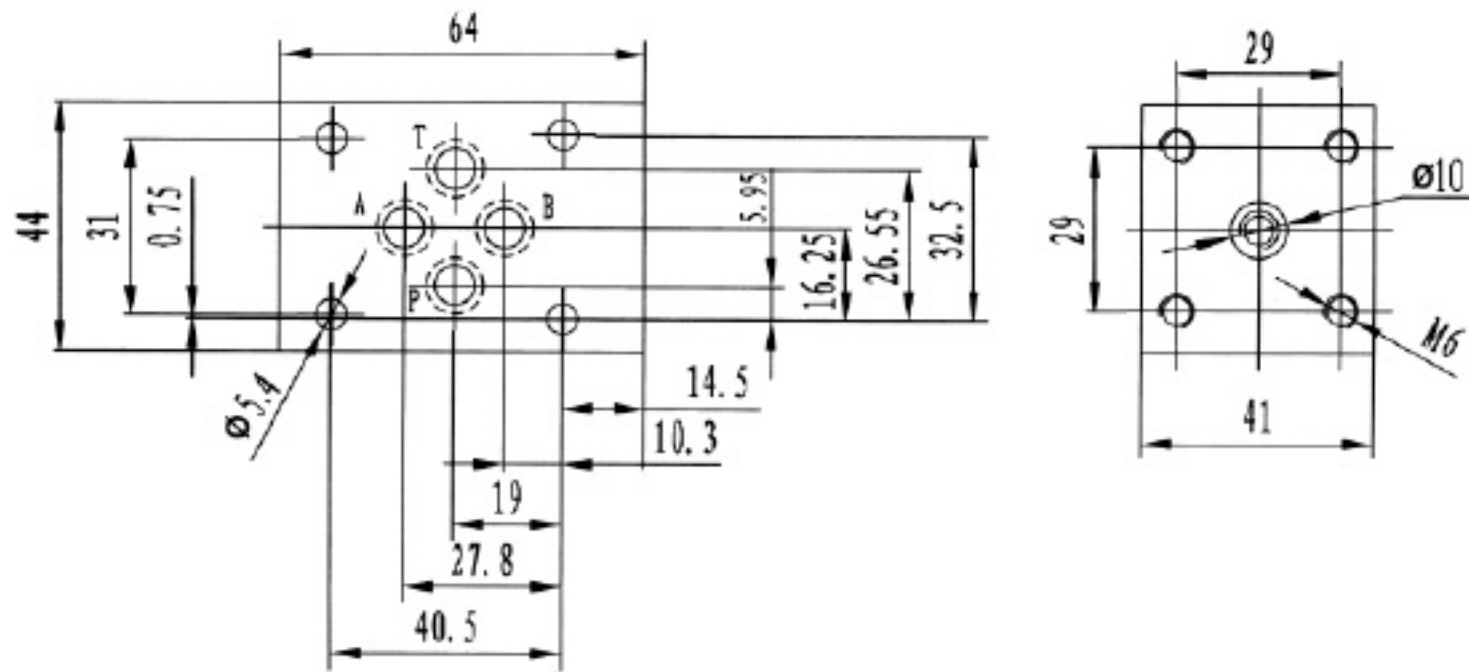
- Sandwich plate for vertical stacking assemblies

0.8kg (Size 6) 1.9kg (Size 10)

Switching pressure difference - pressure switches with or without drain port



Installation guidelines: for applying the pressure switch HED 4...in stacking assemblies size 6 **(Dimensions in mm)**



Installation guidelines: for applying the pressure switch HED 4...in stacking assemblies size 10 **(Dimensions in mm)**

