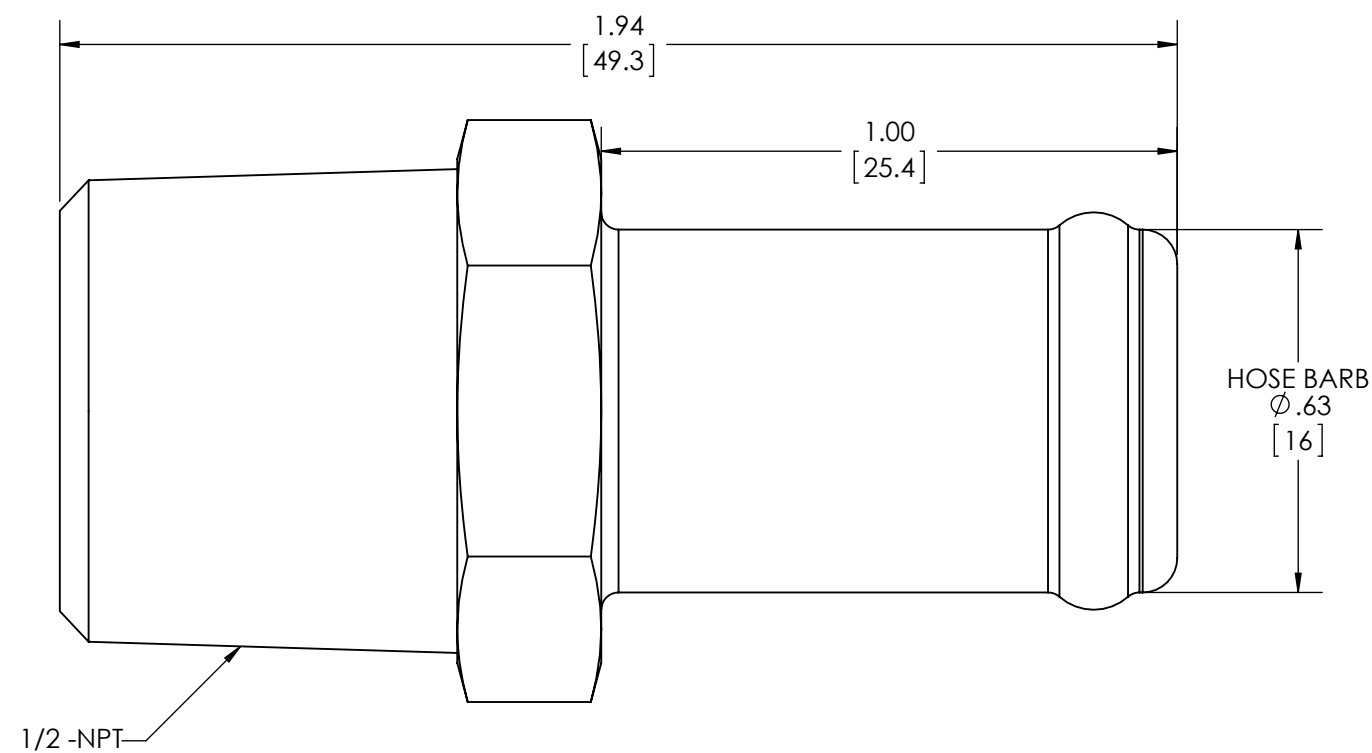
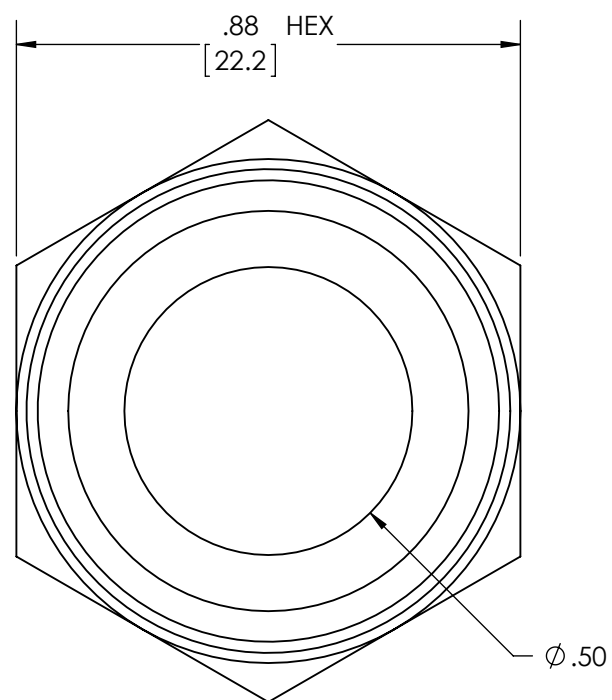



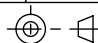
REVISIONS				
REV.	ECO	DATE	DESCRIPTION	DR.



**NOTES:**

1. DIMENSIONS ARE FOR REFERENCE ONLY.

HB5/8X1/2NPT	HOSE BARB 5/8 X 1/2 NPT
PART NUMBER	DESCRIPTION

		<b>HOTSTART, INC.</b> SPOKANE, WA. PROPRIETARY INFORMATION <small>This drawing and the information shown on it are property of Hotstart, Inc. and are for the sole purpose of doing business with us. Any copying or transmittal to others of this information is strictly prohibited without prior written consent Hotstart.</small>	
		<b>HOTSTART</b>	
TITLE: HOSE BARB 5/8 X 1/2 NPT			
APPROVALS	DATE	UNLESS OTHERWISE SPECIFIED DIMENSIONS ARE IN INCHES [mm]	DWG. NO.
DRAWN BY CC	03-02-15	TOLERANCES (Except as noted)	223076-000S
APPROVED BY CDH	03-02-15	.XX ± N/A .XXX ± N/A	SIZE B
THIRD ANGLE PROJECTION		ANGULAR ± N/A° DO NOT SCALE DRAWING	ORIGIN SALES
		SCALE 3:1	SHEET 1 OF 1
		REV. 00	