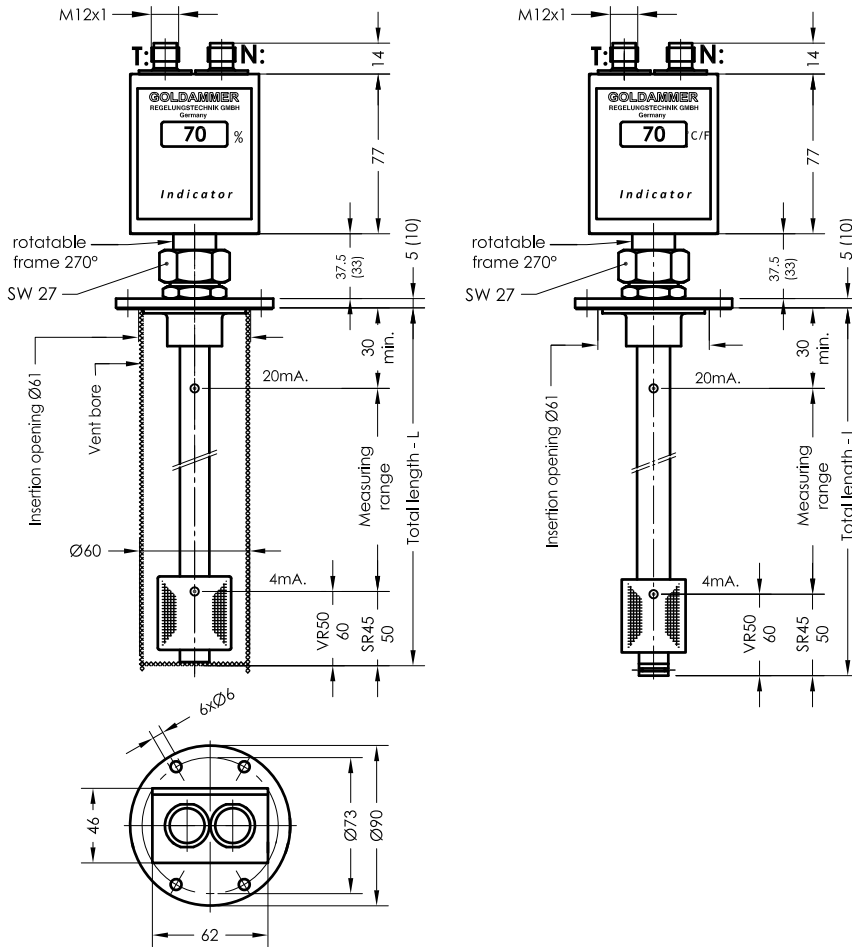


Indicator-MA-2

Level - temperature regulator 4-20 mA with LED display

serial No. Date
IND-GB- 109 03/18



Flange 85
according to
DIN24557 part 2

Pin assignment

Plug securing

1 x M12

- 1 = +12V-30V DC
- 2 = Temperature 4 - 20mA
- 3 = GND - Indication
- 4 = Level 4 - 20mA
- 5 = Thermal contact TF

1 x M12

- 1 = +12V-30V DC
- 4 = Level 4 - 20mA
- 3 = GND - Indication
- 5 = Thermal contact TF

2 x M12

- T:**
- 1 = +12V-30V DC
 - 2 = Temperature 4 - 20mA
 - 3 = GND - Indication
 - 4 = Fixed contact TF

- N:**
- 1 = +12V-30V DC
 - 4 = Level 4 - 20mA

Specimen order

NR85-MAS-2-SR45-T-TA-L250-MS-2M12-TF70Ö

Order code

Tank connection:
NR85-L max. 2000mm

MA = without protective tube
MAS = with protective tube

Float type

SR45
VR50

T = with Temperature
O = without Temperature

NA = Level-display
TA = Temperature-display

Total length-L
switching tube
(mm)
standard length
L=250 L=800
L=370 L=1000
L=500 L=1200
L= max. 2000mm

Execution
MS = Brass
VA = Flange,
Protective tube
Switch tube
and float stainless steel

1 M12
2 M12

Thermal contact

TF10Ö
TF40Ö
TF50Ö
TF60Ö (S)
TF70Ö (S)
TF80Ö (S)
TF90Ö
(Ö preferred)

Description

The level temperature regulator, type Indicator - MA - 2 designed for container installation, is a contact less electromagnetic switch serving for continuous teletransmission of liquid levels and temperature. Via cables of any length, level and temperature can be continuously evaluated for automatic control and display. The level controller contains a resistance measuring chain and a Pt100 resistor. The level and temperature dependent signal is converted in the integrated measuring transducer into a linear current change of 4-20 mA and is evaluated by electronics with LED - display, which indicates the current display.

The level controller is maintenance-free when nondeposit media are used.

The device must only be installed by specialists.

Other temperature ranges on request.

Technical data

Protective tube
Switch tube
Tank connection:

Nominal pressure
Temperature of medium
Cabinet
Float
Connection
Operating voltage
Measuring range
Thermal elements
Contact grid
Working resistance

Display

Mounting position
*Thermal contact
*Indicator

Stainless steel
Brass, stainless steel
Polyamid or Stainless steel with flat seal
1 bar max. / VR50 10 bar max.
100°C max.
Polycarbonate, IP67
Hard PU, VR50 Stainless steel
M12 IP67 series - male connector
12V ... 30V DC
4-20 mA = 0-100% = 0-100°C
Pt100
7.5 mm
RB = $\frac{U-12V}{20mA}$
LED 3-digit
-10 - 100°C (°F) / 0 - 100%
vertical ± 30°
Sheet TR-GB-507
Sheet IND-GB

Technical data



GOLDAMMER
REGELUNGSTECHNIK GMBH

SCHÖLLERSHEIDER STR. 15
P.O.BOX 10 02 17
D-40802 METTMANN

PHONE (49) 2104/12093
FAX (49) 2104/12028
www.Goldammer-Regelungstechnik.com