

# Toggle Clamps

Hold Down, Horizontal Standard Handle (Flange Base)

Feature: MC01-2B is the size between MC01-2 and MC01-3.

Hold Down, Horizontal Standard Handle (Flange Base)



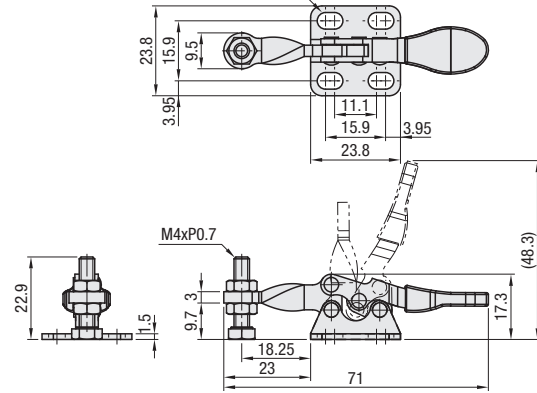
RoHS

Part Number	MC01-1	MC01-S1
Body Material	1018 Carbon Steel	304 Stainless Steel
Surface Treatment	Trivalent Chromate	-
Tightening Force (N)	264.6	-
Weight (g)	30	-
Open-Close Angle of Arm	90°	-
Open-Close Angle of Handle	75°	-
Accessories	* Nylon Bolt	Stainless Steel Bolt
Unit Price		

1N=0.101972kgf

MC01-1  
MC01-S1 (Stainless Steel)

\*Not a bolt with rubber.  
4-Slot 4.4x6.8



Hold Down, Horizontal Standard Handle (Flange Base)



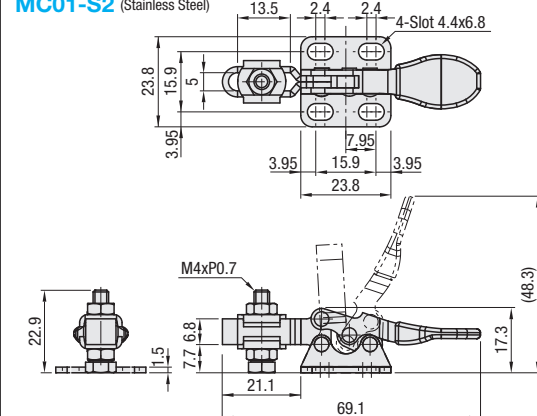
RoHS

Part Number	MC01-2	MC01-S2
Body Material	1018 Carbon Steel	304 Stainless Steel
Surface Treatment	Trivalent Chromate	-
Tightening Force (N)	264.6	-
Weight (g)	35	-
Open-Close Angle of Arm	90°	-
Open-Close Angle of Handle	75°	-
Accessories	* Nylon Bolt	Stainless Steel Bolt
Unit Price		

1N=0.101972kgf

MC01-2  
MC01-S2 (Stainless Steel)

\*Not a bolt with rubber.  
4-Slot 4.4x6.8



Hold Down, Horizontal Standard Handle (Flange Base)

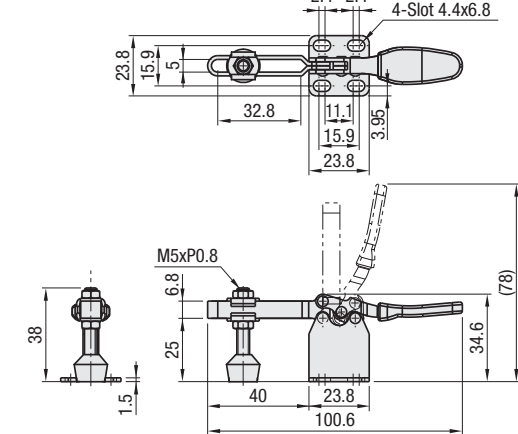


RoHS

Part Number	MC01-2B
Body Material	1018 Carbon Steel
Surface Treatment	Trivalent Chromate
Tightening Force (N)	400
Weight (g)	60
Open-Close Angle of Arm	90°
Open-Close Angle of Handle	75°
Accessories	Bolt with Rubber Material: NBR Nitrile Rubber Hardness: Shore A70
Unit Price	

1N=0.101972kgf

MC01-2B



Hold Down, Horizontal Standard Handle (Flange Base)

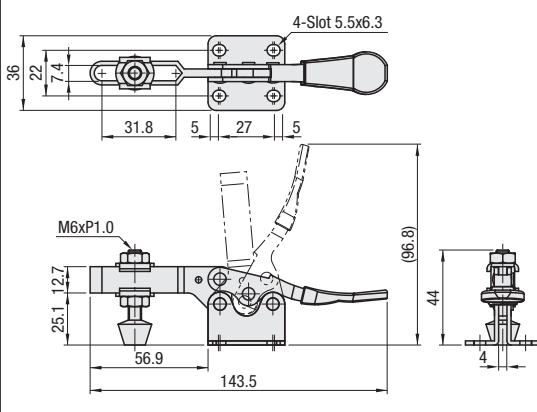


RoHS

Part Number	MC01-3	MC01-S3
Body Material	1018 Carbon Steel	304 Stainless Steel
Surface Treatment	Trivalent Chromate	-
Tightening Force (N)	882	-
Weight (g)	130	-
Open-Close Angle of Arm	85°	-
Open-Close Angle of Handle	73°	-
Accessories	Bolt with Rubber Material: NBR Nitrile Rubber Hardness: Shore A70	Stainless Steel Bolt
Unit Price		

1N=0.101972kgf

MC01-3  
MC01-S3 (Stainless Steel)



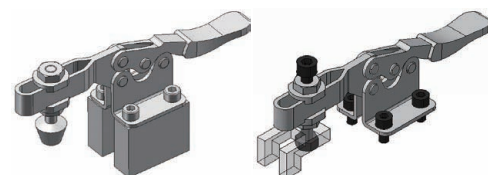
Ordering Example Part Number MC01-1

Price Configure Online

Days to Ship Configure Online



The combination in this example is selectable on the website. Selection Detail P81 <http://us.misumi-ec.com/contents/mech/modular/>



# Toggle Clamps

Hold Down, Horizontal Standard Handle (Flange Base) / High Arm Type (Flange Base)

Feature: MC01-10 is larger than MC01-4 in size and clamping force. High Arm Type with an arm position higher than conventional products is adjustable without spacers. (MC01H-3: 16mm higher than MC01-3; MC01H-4: 19mm higher than MC01-4)

Hold Down, Horizontal Standard Handle (Flange Base)

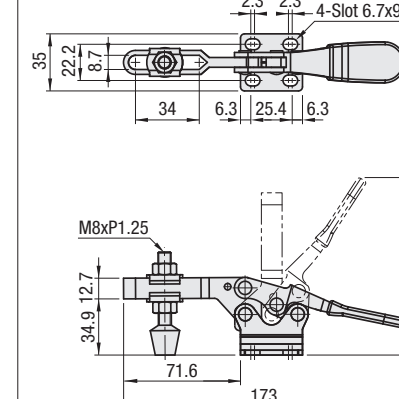


RoHS

Part Number	MC01-4	MC01-S4
Body Material	1018 Carbon Steel	304 Stainless Steel
Surface Treatment	Trivalent Chromate	-
Tightening Force (N)	2352	-
Weight (g)	265	-
Open-Close Angle of Arm	90°	-
Open-Close Angle of Handle	65°	-
Accessories	Bolt with Rubber Material: NBR Nitrile Rubber Hardness: Shore A70	Stainless Steel Bolt
Unit Price		

1N=0.101972kgf

MC01-4  
MC01-S4 (Stainless Steel)



Hold Down, Horizontal Standard Handle (Flange Base)

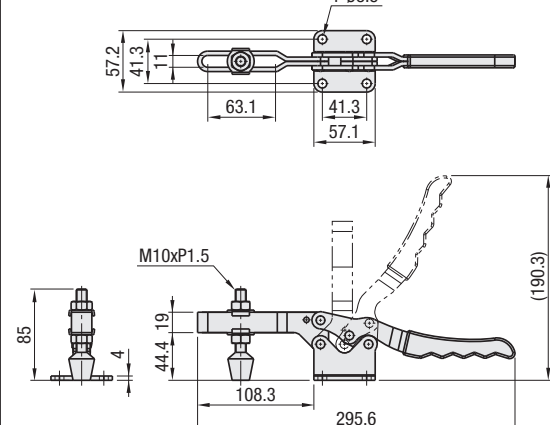


RoHS

Part Number	MC01-10
Body Material	1018 Carbon Steel
Surface Treatment	Trivalent Chromate
Tightening Force (N)	3400
Weight (g)	640
Open-Close Angle of Arm	90°
Open-Close Angle of Handle	68°
Accessories	Bolt with Rubber Material: NBR Nitrile Rubber Hardness: Shore A70
Unit Price	

1N=0.101972kgf

MC01-10



High Arm Type (Flange Base)

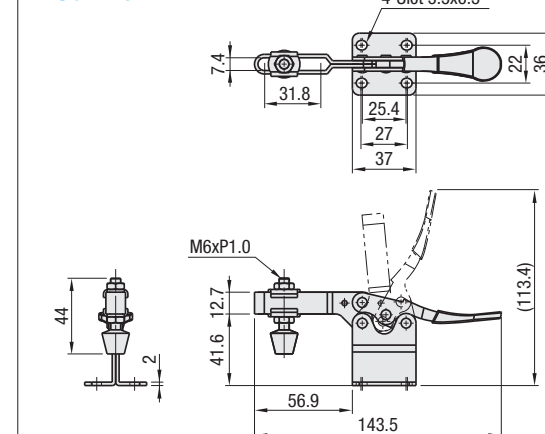


RoHS

Part Number	MC01H-3
Body Material	1018 Carbon Steel
Surface Treatment	Trivalent Chromate
Tightening Force (N)	900
Weight (g)	150
Open-Close Angle of Arm	85°
Open-Close Angle of Handle	73°
Accessories	Bolt with Rubber Material: NBR Nitrile Rubber Hardness: Shore A70
Unit Price	

1N=0.101972kgf

MC01H-3



High Arm Type (Flange Base)

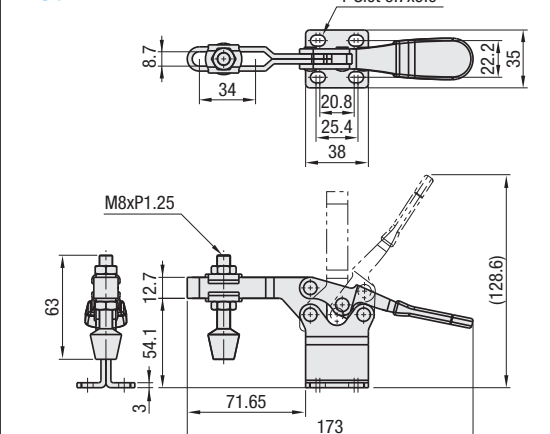


RoHS

Part Number	MC01H-4
Body Material	1018 Carbon Steel
Surface Treatment	Trivalent Chromate
Tightening Force (N)	2270
Weight (g)	290
Open-Close Angle of Arm	90°
Open-Close Angle of Handle	65°
Accessories	Bolt with Rubber Material: NBR Nitrile Rubber Hardness: Shore A70
Unit Price	

1N=0.101972kgf

MC01H-4



Ordering Example Part Number MC01-10 MC01H-3

Price Configure Online

Days to Ship Configure Online



High Arm Type Features (Comparison with Conventional Products)

