

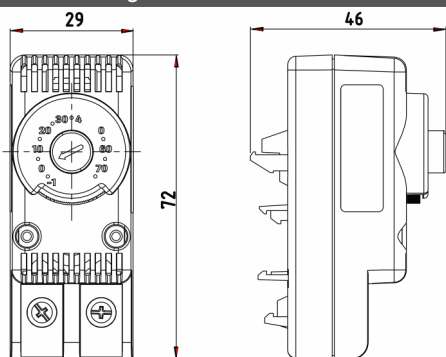
MECHANICAL THERMOSTAT

Description: **NO/NC Thermostat for rail**

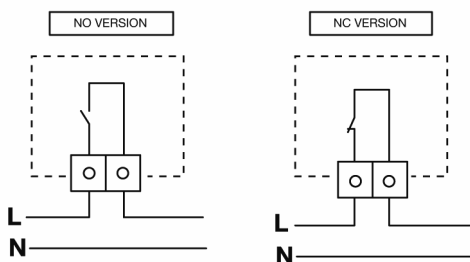


Enclosure material	PA66 UL 94V-0
Color	grey RAL 7035
Protection degree:	IP20
Appliance class:	class II
Mounting on:	DIN rail 35 mm (EN 50 022); DIN rail 15 mm (EN 50 045); DIN rail 32 mm (EN 50 035)
Fixing method:	snap on
Electrical connection:	screw terminals
Electrical section wires:	from 0.75 mm ² to 2.5 mm ²
Sensing element type:	bi-metallic
Setting/indexing:	external Knob / 5°C
Storage temperature:	from -40°C to +90°C
Max air humidity	95% RH at 25°C (not condensing)
Temperature scale:	available with Fahrenheit degree scale (°F)
External dimensions:	68x29x45 mm
Endurance:	100.000 cycles
Applicable standards:	EN 60730-1
Approvals:	CE, cURus

technical drawing



wiring diagram



Model	Rated Voltage Range	Rated Current	Contact Current	Setting Range	Differential (referred to set point)	Accuracy	Net Weight
		(A) *	(A)	(°C)	(°C)	(°C)	(kg)
TRT-10A230V-NC	12-60 V d.c.; 110-250 V a.c.	10	15	-10 - +80	-3	±3	0.054
TRT-10A230V-NO	12-60 V d.c.; 110-250 V a.c.	10	15	-10 - +80	+4 if A < 5 ; +7 if A > 5	±3	0.054

(*) resistive load (or 1/6 hp motor load)