

LED Indicators



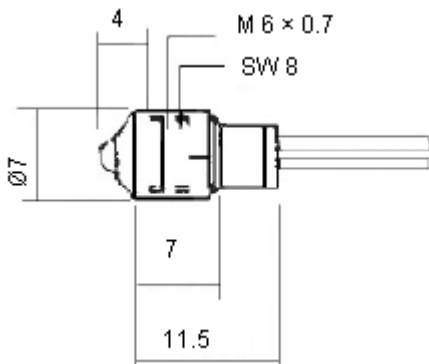
3mm and 5mm Prominent/Recessed



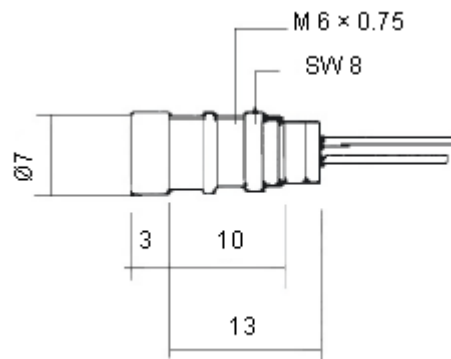
A range of panel mounting LED indicators in high quality bright chrome or black chrome plated brass housings. Fitted with fixing nut and washer.

Bezel = 4 × 7 diameter (prominent), 3 × 7 diameter (recessed). Total L behind bezel = 11.5 (prominent) 13 (recessed). Mounting hole diameter = 6 Shorter lead Cathode.

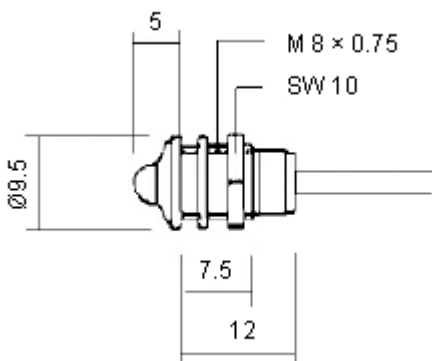
Drawing Number - A



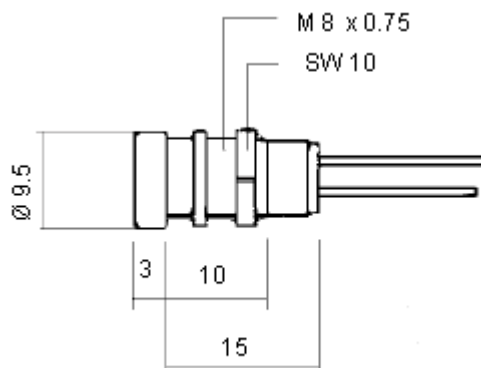
Drawing Number - B



Drawing Number - C



Drawing Number - D



Dimensions : Millimetres

LED Indicators



3mm and 5mm Prominent/Recessed

Specifications (3 mm)

Colour	Typical Lumination Intensity (mcd) at $I_F = 20 \text{ mA}$	V_F (typical) (V)	I_F (maximum) (mA)	Refer Drawing	Part Number	
HE Red	17.5	2 - 2.6	45	A	MC19020003	
Green	27				MC19020001	
Yellow	32				MC19020002	
HE Red	15			B	30	MC19030003
Green	34					MC19030001
Yellow	28					MC19030002
Pure Orange	15	MC19030008				
Blue	6	MC19030007				
HE Red	17.5	2 - 2.6	45	A	MC19021003	
Green	27				MC19021001	
Yellow	32				MC19021002	
Pure Orange	17.5				MC19021008	
Blue	5				MC19021007	
HE Red	15	2 - 2.6	45	B	MC19031003	
Green	34				MC19031001	
Yellow	28				MC19031002	
Pure Orange	15				MC19031008	

Bezel = 5 × 9.5 diameter (prominent), 3 × 9.5 (recessed).

Total L behind bezel = 12 (prominent), 15 (recessed).

Mounting hole diameter = 8, Shorter lead cathode.

LED Indicators



3mm and 5mm Prominent/Recessed

Specifications (5 mm)

Colour	Typical Lumination Intensity (mcd) at $I_F = 20 \text{ mA}$	V_F (typical) (V)	I_F (maximum) (mA)	Refer Drawing	Part Number	
HE Red	20	2 - 2.6	45	C	MC19040003	
Green	25				MC19040001	
Yellow			MC19040002			
Pure Orange	20		30		MC19040008	
Blue	6	3.8 - 4.4	50		MC19040007	
HE Red	27	2 - 2.6	45		D	MC19050003
Yellow						MC19050002
Pure Orange			30			MC19050008
Blue			7	3.8 - 4.4		50
HE Red	20	2 - 2.6	45	C		MC19041003
Green	25					MC19041001
Yellow						MC19041002
Blue	6					3.8 - 4.4
HE Red	27	2 - 2.6	45		D	MC19051003
Green	30					MC19051001
Yellow	27					MC19051002
Blue	7					3.8 - 4.4

LED Indicators



3mm and 5mm Prominent/Recessed

Operating temperature (T_{OP}) : -55°C to +70°C.

Storage temperature (T_{STG}) : -55°C to +100°C.

The Led indicator is available in bright or black chrome reflector.

The 7th digit has to be coded with 0 or 1.

Bright chrome = 0

Black chrome = 1

Example : MC19020001 green with bright chrome
MC19021000 green with black chrome.

Important Notice : This data sheet and its contents (the "Information") belong to the members of the Premier Farnell group of companies (the "Group") or are licensed to it. No licence is granted for the use of it other than for information purposes in connection with the products to which it relates. No licence of any intellectual property rights is granted. The Information is subject to change without notice and replaces all data sheets previously supplied. The Information supplied is believed to be accurate but the Group assumes no responsibility for its accuracy or completeness, any error in or omission from it or for any use made of it. Users of this data sheet should check for themselves the Information and the suitability of the products for their purpose and not make any assumptions based on information included or omitted. Liability for loss or damage resulting from any reliance on the Information or use of it (including liability resulting from negligence or where the Group was aware of the possibility of such loss or damage arising) is excluded. This will not operate to limit or restrict the Group's liability for death or personal injury resulting from its negligence. Multicomp is the registered trademark of the Group. © Premier Farnell plc 2011.