


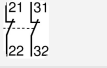
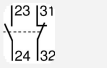


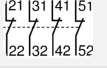
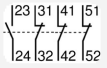
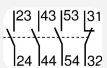
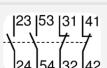

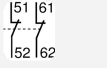
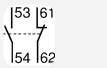
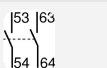

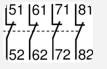
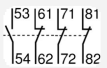
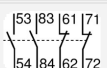
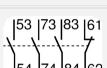
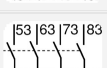





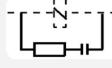
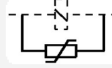

Bulletin 100-K Miniature Contactors

Bul. 100-K/104-K Accessories

Auxiliary Contact Blocks


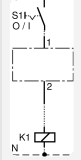
	Description	Connection Diagrams			For Use With	Pkg. Qty.	Screw Type Terminals	Spring Clamp Terminals		
			N.O.	N.C.			Cat. No.	Cat. No.		
	Front-Mounted Auxiliary Contacts <ul style="list-style-type: none"> Auxiliary contact blocks 2- and 4-pole versions Choice of contact configurations Snap on, no tools required Electronic-compatible bifurcated contacts for signals down to 15V/2 mA Mirror Contact performance per IEC 60947-4-1 		0	2	100-K05...K12	1	100-KFC02	100-KRFC02		
			1	1	100-K05...K12	1	100-KFC11	100-KRFC11		
			2	0	100-K05...K12	1	100-KFC20	100-KRFC20		
				0	4	100-K05...K12	1	100-KFC04	100-KRFC04	
				1	3	100-K05...K12	1	100-KFC13	100-KRFC13	
				3	1	100-K05...K12	1	100-KFC31	100-KRFC31	
				2	2	100-K05...K12	1	100-KFC22	100-KRFC22	
					0	2	100/104-K, 700-K	1	100-KFA02E	100-KRFA02E
					1	1	100/104-K, 700-K	1	100-KFA11E	100-KRFA11E
					2	0	100/104-K, 700-K	1	100-KFA20E	100-KRFA20E
				0	4	100/104-K, 700-K	1	100-KFA04E	100-KRFA04E	
				1	3	100/104-K, 700-K	1	100-KFA13E	100-KRFA13E	
				2	2	100/104-K, 700-K	1	100-KFA22Z	100-KRFA22Z	
				3	1	100/104-K, 700-K	1	100-KFA31Z	100-KRFA31Z	
				4	0	100/104-K, 700-K	1	100-KFA40E	100-KRFA40E	

Control Modules



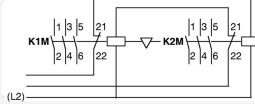


	Description	Connection Diagrams	For Use With	Pkg. Qty.	Cat. No.	
	Mechanical Interlock <ul style="list-style-type: none"> For interlocking of two adjacent contactors No added width to contactor assembly Front mount plug-in type Optional auxiliary contact blocks and suppressor modules onto the interlock 		100/104-K/-KR, 700-K/-KR	1	100-KMCH	
	Surge Suppressor <ul style="list-style-type: none"> Plug-in type Limits surge voltage on coil drop-off 	RC Suppressor 	24...48V AC	100/104-K/-KR, 700-K/-KR	1 *	100-KFSC50
110...280V AC			1 *		100-KFSC280	
380...480V AC			1 *		100-KFSC480	
MOV Suppressor 		12...55V AC, 12...77V DC	100/104-K/-KR, 700-K/-KR	1 *	100-KFSV55	
		56...136V AC, 78...180V DC		1 *	100-KFSV136	
		137...277V AC, 181...250V DC		1 *	100-KFSV277	
Diode Suppressor 	12...250V DC	100/104-K/-KR, 700-K/-KR	1 *	100-KFSD250		

* May be ordered in package quantities of 10. Add letter M to the end of the cat. no. Example: 100-KFSC50M.

Timers

	Description	Connection Diagrams	For Use With	Pkg. Qty.	Cat. No.
	Solid-State Timing Element <ul style="list-style-type: none"> 110...250V AC or DC Includes 35 mm Hat Rail adapter 		100/104-K, 700-K	10	100-KT3S
	On-Delay, 0.1...3 s				100-KT30S



Connecting Components

	Description	For Use With	Pkg. Qty.	Cat. No.	
	ECO Connecting Module – 12 A <ul style="list-style-type: none"> For DOL and reversing starters Eco-starters mount on single DIN Rail (140M on DIN Rail) Electrical and mechanical interconnection of 140M and 100-K contactors 	Connects: 140M-C circuit breakers with 100-K contactors	140M-C to 100-K	1 *	140M-C-PEK12
	Power Wiring Kit For Reversing and Star/Delta combinations. Star-point bridge not included. Min. interruption time 50 ms		100-K	1	100-KPR
	Feeder Terminal for Compact Bus Bars Max. current 34 A	Supply of compact bus bars	100-K	1	100-KWT
	Three-Phase Compact Bus Bars Max. current 34 A	For 100-K, 5...12 A contactors 45 mm spacing (3 connections)‡	100-K	1	100-KW453
		For 100-K, 5...12 A contactors 45 mm spacing (4 connections)‡	100-K	1	100-KW454

* May be ordered in package quantities of 10. Add letter M to the end of the cat. no. Example: 140M-C-PEK12M.

‡ Combinations possible. Example: For 6 contactor connections use one cat. no. 100-KW453 and one cat. no. 100-KW454.

Marking Systems

	Description	Pkg. Qty.	Cat. No.
	Label Sheet 105 self-adhesive paper labels each, 6 x 17 mm	10	100-FMS
	Snap-In Marker Card	5	1492-M6X12

