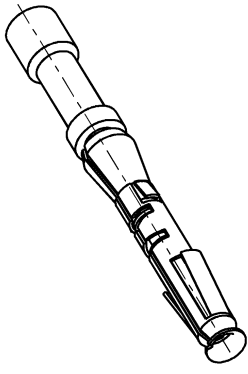
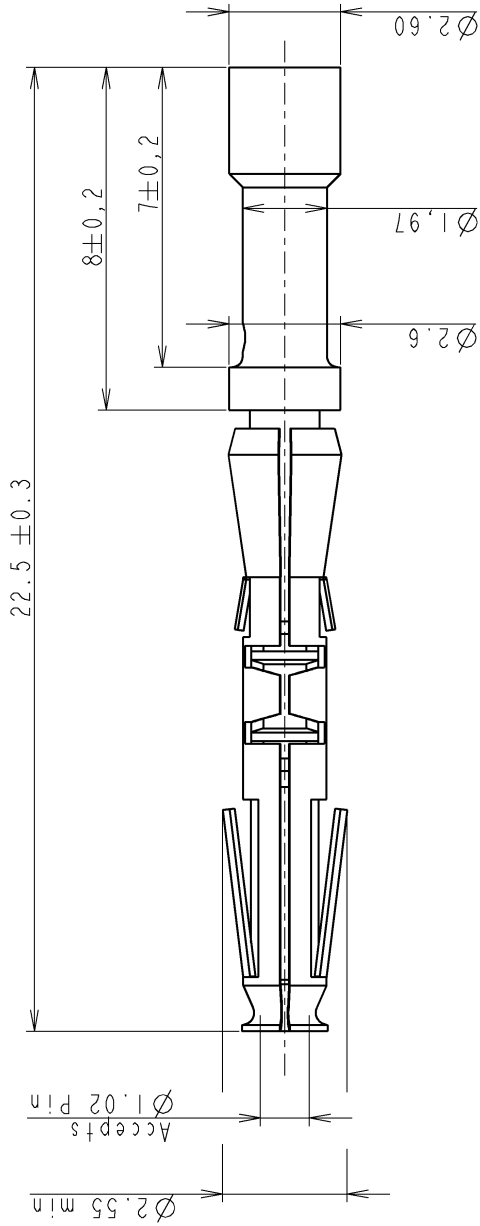


d ; 0 ; RL



**Notes :**

- Machined contact
- The extraction tool is RX20D44
- Crimping tool : S20RCM

**Material :**

- Contact body:high conductive copper alloy
- :plating: K : 0.4 micron gold over nickel
- Retaining spring:stainless steel

**P/N : RC18W3K**

**Performance Characteristics :**

- Contact retention in the body:50N max
- Contact insertion force:5N max
- Contact separation force:2N min
- Current rating:7.5 Amps
- Contact resistance:6mΩ max
- Dielectric withstanding voltage:1500 Vrms min
- Diameter over insulation 1.20 mm min up to 2.10 mm max
- Section of wire 0.50 mm2 min up to 0.82 mm2 max
- Wire strip length : 4.8 mm

<b>d</b>	20/04/11	Update of section of wire	21654
ISS	DATE	Latest modification - by:	MOD N°
Designed by:	C. PROVOST	Date: 20/04/11	MOREAU F.
TITLE	CUSTOMER DRAWING		
Scale	8/1	General linear Tolerances: ± 0.1	NPRDS / PROJECT RC
		WWW.SOURIAU.COM This document is the property of SOURIAU. It must not be reproduced or communicated without permission.	
FORMAT	A3	SOURIAU DRG N°	SHEET
		RC18W3K-C01	1 / 1