

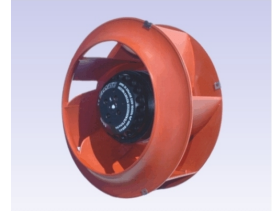


# 2RREu35 225x63R (115V) B12-A3 p

## DATA SHEET

release. e - Revision 04-2016

Voltage	Frequency	Input Power	Input Current	Capacitor	Airflow	Rotation speed	Acoustic level	Direction rotation	Admissible Temperature	
V	Hz	W	A	µF	m³/h	RPM	dBA		Min/Max	
115	50	156	1,36	18,0	1215	2560	67	R	-40°C / +50°C	
115	60	212	1,86	18,0	1285	2695	68	R	-40°C / +50°C	
115	50	715 CFM						-40°F / 122°F		
115	60	756 CFM						-40°F / 122°F		



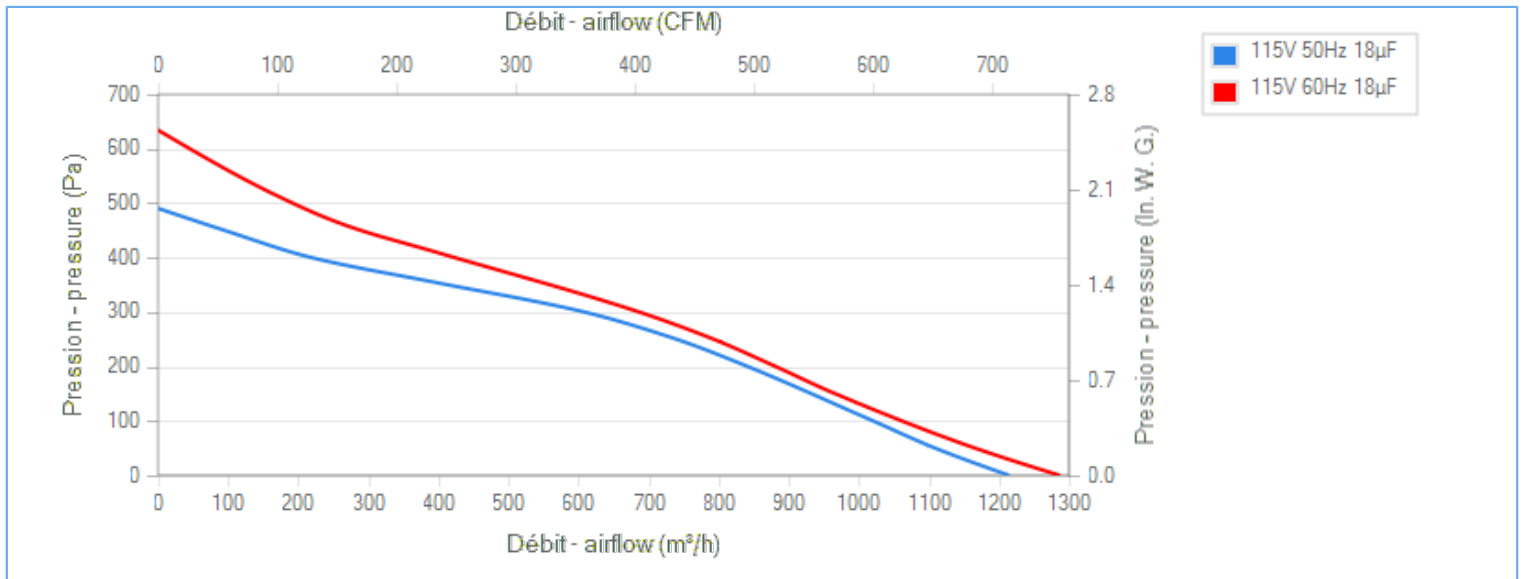
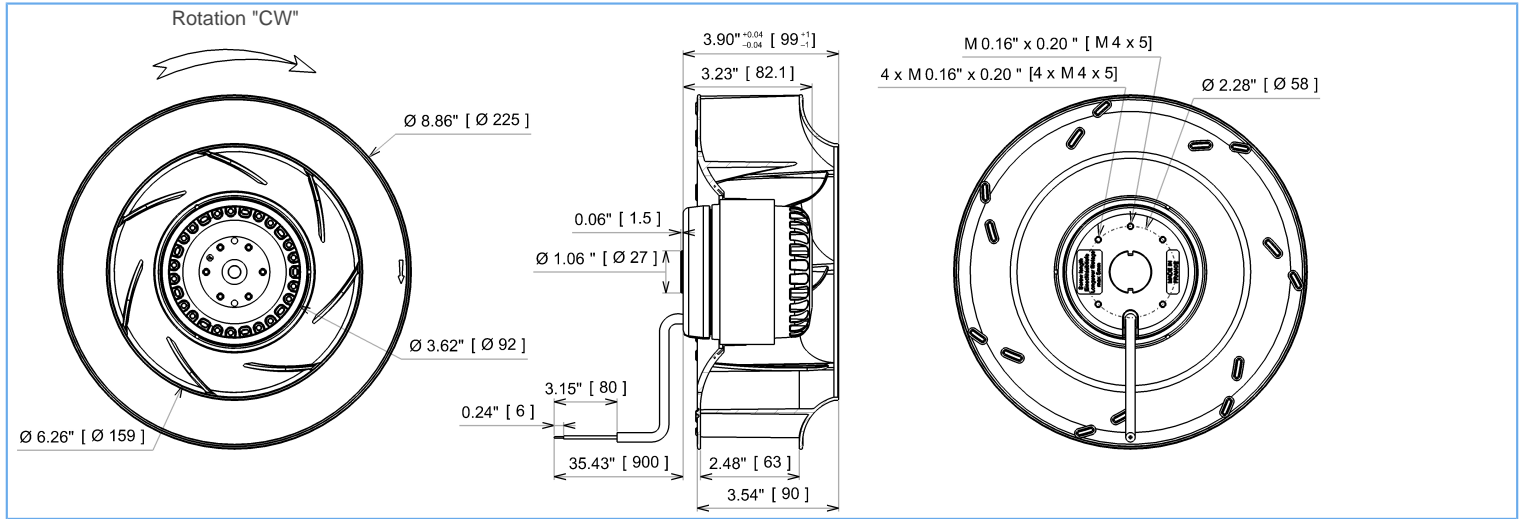
dBA : free blowing

ErP 2013

**NOK**

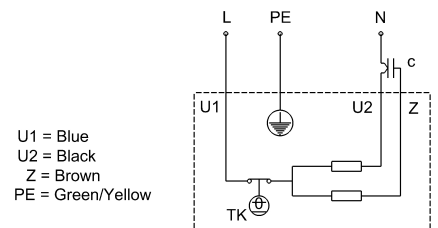
ErP 2015

**NOK**



### Description

- .Weight : 2,4 Kg
- .Ball bearing
- .Class F, thermally protected
- .IP44 protection depending on installation and position as per EN60034-5
- .G2.5 balancing
- .Rotor : black paint
- .PA 6/6 UL 94 V-0 plastic impeller
- .Motor - UL Recognized component





# 2RREu35 225x63R (115V) B12-A3 p

## DATA SHEET

release. e - Revision 04-2016

### Data in accordance to ErP directive

Voltage	115	V
Frequency	50	Hz
Power	0,167	kW <sup>(1)</sup>
Airflow	736	m <sup>3</sup> /h <sup>(1)</sup>
Pressure	252	Pa <sup>(1)</sup>
Rotation speed	2450	RPM <sup>(1)</sup>

(1) at optimal efficiency point

For service use only in Europe according ErP directive EU 2009/125/EC

### Accessories

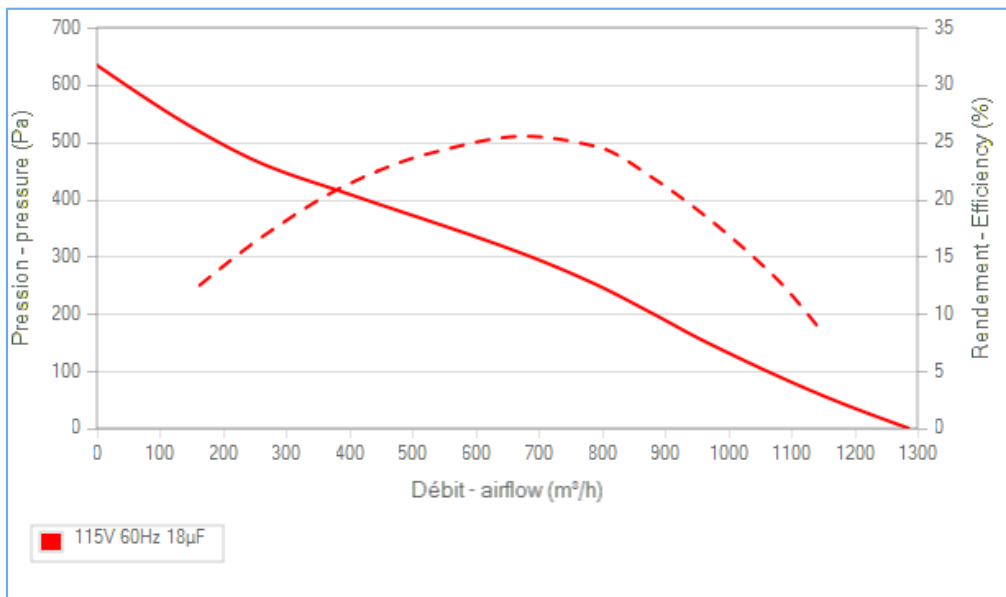
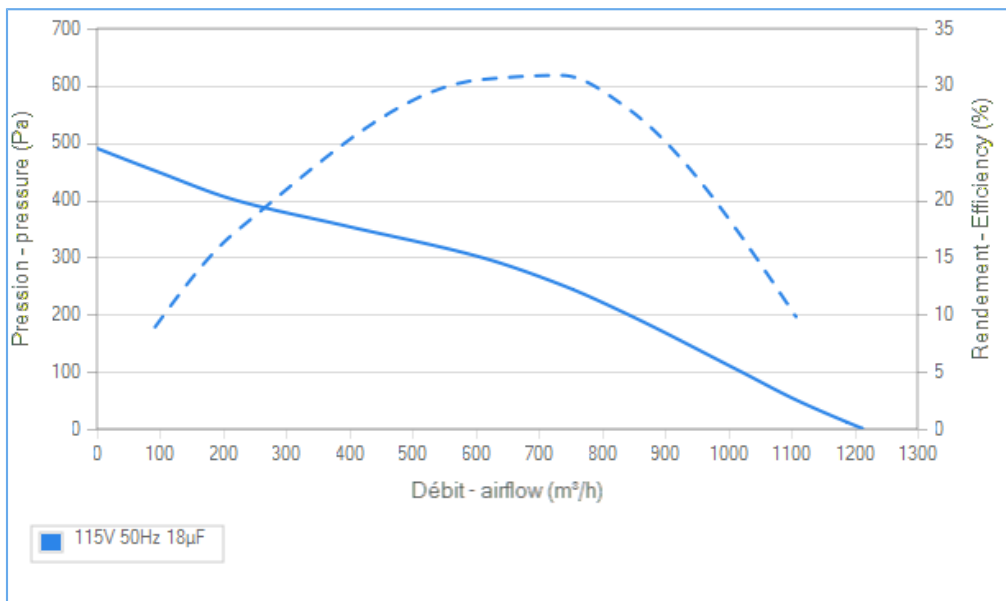
- 19225
- 19225
- 16214

### Measurement setup

- 16214 Ouie Ø252 ext Ø153 int GALVA

### Documents

- Manuel d'utilisation  
[www.ecofit.com/site/normes](http://www.ecofit.com/site/normes)
- Operating and recycling manual  
[www.ecofit.com/anglais/normes](http://www.ecofit.com/anglais/normes)



UL2111 (XEW2,8)  
N° file E135223  
2RS935

Non contractual document. All specifications are subject to change without prior notice. Picture for information only.