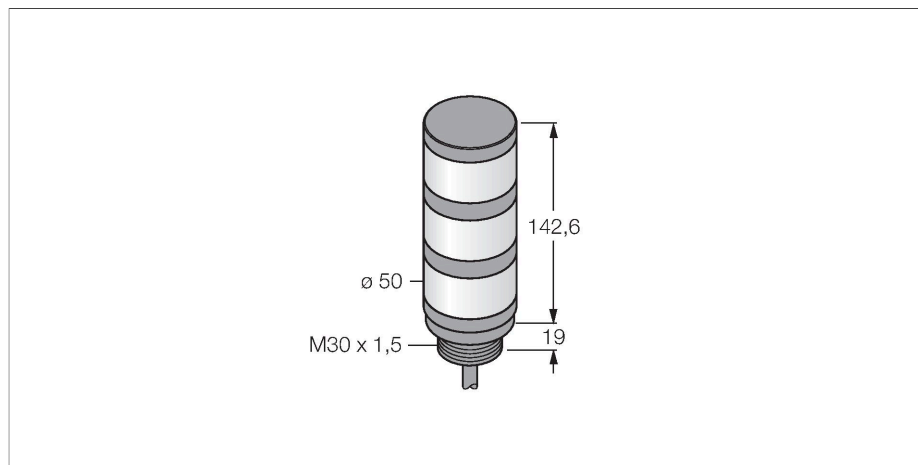


TL50HZGRW

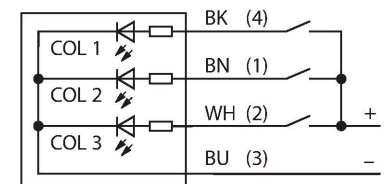
LED Indicator – High-intensity Tower Light



Features

- Plastic housing, black
- EMI and RFI immune
- Protection class IP67
- Cable, 2 m
- Multicolor: Green (COL 1) / Yellow (COL 2) / White (COL 3)
- Operating voltage: 85...264 VAC

Wiring diagram



Functional principle

The TL50H tower lights, in the high-brightness version, indicate the status clearly visible and provide an intuitive operator guidance. They can be assembled from varicolored LEDs and are available with or without beeper. You can mount them directly on machines, in the cabinet or in locations to be monitored within the production lines.

The wiring diagram shows a PNP pin assignment.

There are 5 colors available, blue (B), green (G), red (R), yellow (Y) and white (W), which specify the light sequence from bottom to top in the type code of the tower light. Example: TL50GYRQ, colors green, yellow and red arranged from bottom to top.

Technical data

Type	TL50HZGRW
ID	3088274
Signal and display data	
Purpose	LED indicator light
Function	Tower light
Light type	Green Red White
Dimmable	no
Features of color 1	Green, Permanently on, 60 lm
Features of color 2	Red, Permanently on, 32 lm
Features of color 3	White, Permanently on, 50 lm
Electrical data	
Operating voltage	85...264 VAC
AC rated operational current	≤ 80 mA
Max. current consumption per color	60 mA
Input type	AC
Response time typical	< 500 ms
Mechanical data	
Cascadable	No
Design	Smooth barrel, TL50Z
Dimensions	Ø 50 x 230.1 x 230.1 mm
Housing material	Plastic, ABS, Black
Window material	Polycarbonate, diffuse
Electrical connection	Cable, 2 m, PVC
Number of cores	4
Ambient temperature	-40...+50 °C

Technical data

Relative humidity	0...95 %
Protection class	IP67
Tests/approvals	
Approvals	CE, UL listed

Accessories

