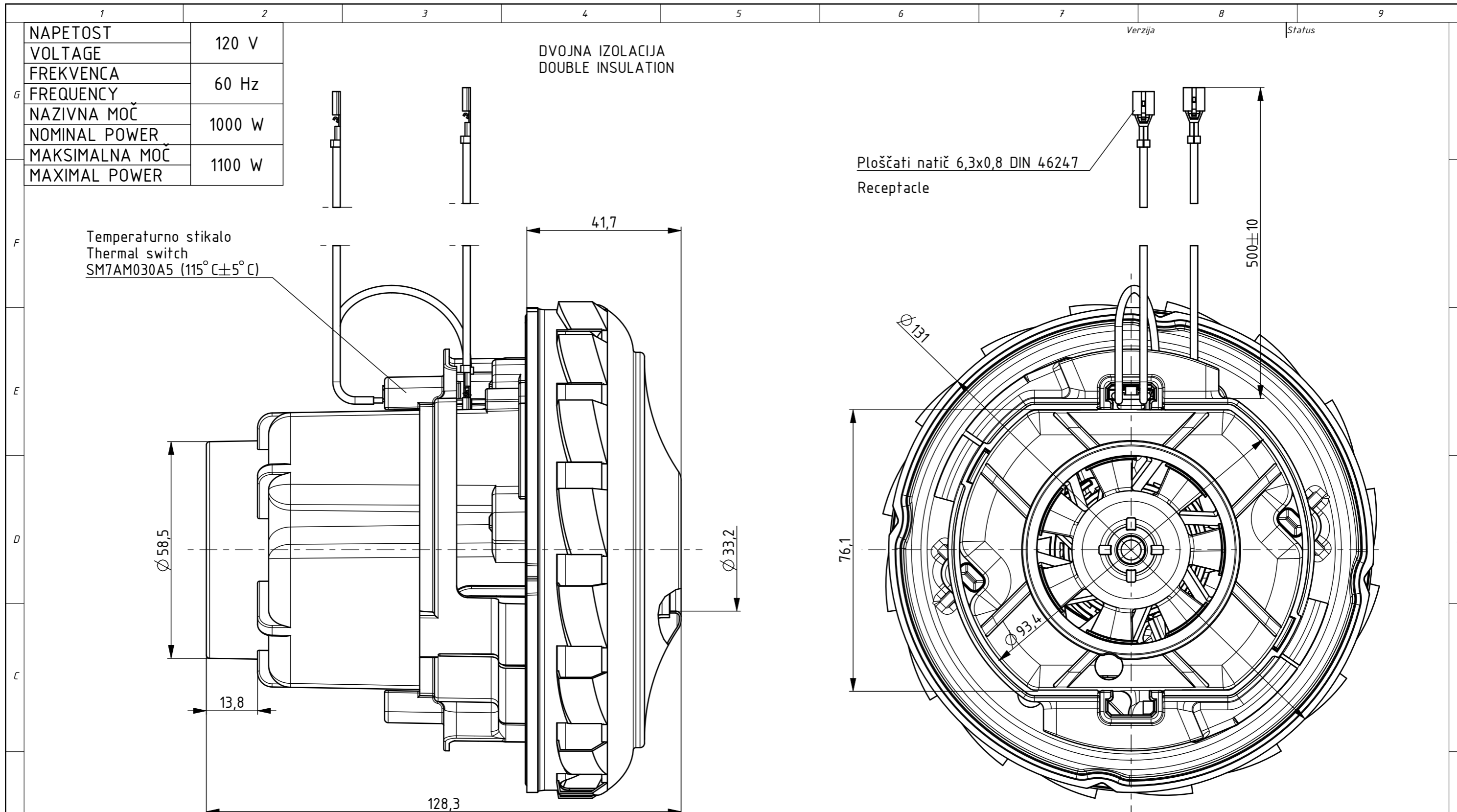
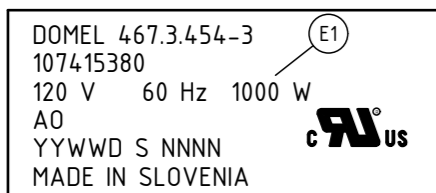


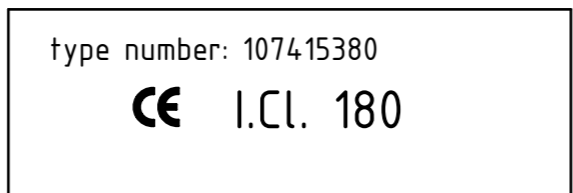
Izdelano s CAD/ProEngineer - ročno spreminjanje ni dovoljeno! Vsak prenos tretjim osebam ali uporaba v nedogovorjene namene ni dovoljena po zakonu o avtorskih pravicah. Made with CAD/ProEngineer - changing is not allowed! Any unauthorized copying of this drawing or unauthorized distribution of the information contained herein is prohibited.



Oznake natisnjene na SE:
Information stamped on VCM:



Oznake na nalepki:
Information on the label:



OSNOVNE ZNAČILNOSTI		TYPICAL CHARACTERISTICS	
IZVEDBA	ENOSTOPENJSKA	FAN SYSTEM	SINGLE STAGE
VLEŽAJENJE	DVA KROGLIČNA LEŽAJA	BEARINGS	DUAL BALL
VRSTA PRETOKA	MIMO MOTORJA	DISCHARGE	BY PASS
SMER VR TENJA	DESNA	DIRECTION OF ROTATION	CW

				Tolerance odprtih mer / Tolerances without individual indications	Površinska hrapavost / Surface finishing	Merilo / Scale	1:2	Original format / ISO 5457 - A3			
				ISO 8015		Gradivo / Material					
				ISO 2768 - mK							
				Datum/Date	Ime/Name	Naziv / Title					
				Izdelal / Designed	09.10.14	Novinc M.					
				Pregl. / Verified	08.11.17	J. Rihtaršič					
E1	13263	08.11.17	D. Vrhunc						Koda / Code	467.3.454-3	List Sheet / 3+
D1	13175	05.09.17	D. Vrhunc						Stran / Page	1	
C1	12435	25.05.16	D. Vrhunc								
B2	12197	07.01.16	D. Vrhunc								
A0	12095	04.11.15	D. Vrhunc								
Ozn. / Mark	Št. obvestila / Nr. of notice	Datum / Date	Ime / Name	Otoki 21, 4228 Železniki, Slovenija			4673454003_SESALNA_ENOTA				