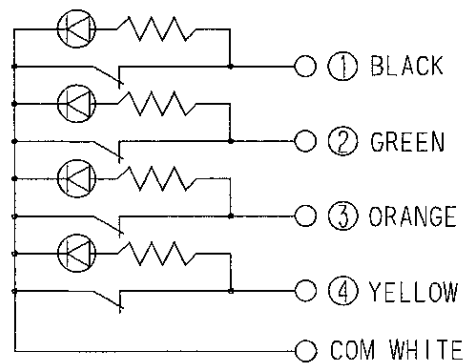


REPEATABILITY OF SKIP SIGNAL : 0.001mm  
 RECOMMENDED OPERATING SPEED : 50~200mm/min  
 CONTACT RATING : DC24V 10mA  
 DEGREES OF PROTECTION : IEC IP67

LED X4 5.1K X4



SET NUMBER H4A-18-42S

COMPOSITION [ SENSOR HEAD H4A-18-42H  
 POLARITY CONVERTOR NUT BA-4A

APR	CHK	DRA	NAME	TOOL SETTING PROBE
/	<i>Am</i>	02.1.30 HIJIKATA	DRAWING NUMBER	H4A-18-42S
		1/1	METROL LTD.	METROL