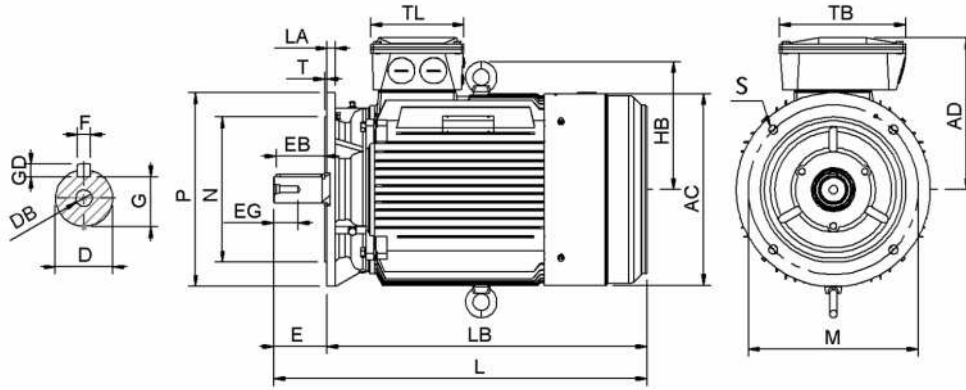


Data Sheet

Itemnumber....: 5542000200



AC = 396	DB = M20	EG = 50	GD = 10	L = 769	LE = 737	P = 400	TB = 260
AD = 313	E = 110	F = 16	H = 200	LA = 17	M = 350	S = 4-Ø18.5	TL = 192
D = 55	EB = 100	G = 49	HB = 264	LB = 659	N = 300	T = 5	

Version

Type.....: HMC3 200L-4
 Design.....: Induction motor
 Standard series.....: IEC 60034
 Phase / Voltage range.....: 3~ / Low

Electrical design

Efficiency.....: IE3
 Pole.....: 4
 Power at 50 Hz (kW).....: 30,0
 Hz.....: 50
 Voltage.....: 400VD/690VY
 Winding voltage.....: 400VD/690VY 50 Hz
 Power output (kW).....: 30,0
 Duty.....: S1
 Insulation class.....: F
 Temperature rise.....: B

Motor protection

Thermal protection main....: PTC 3x 155 dgr
 Thermal protection second.: None
 Space heater.....: None
 Temperature detector.....: No
 SPM.....: No
 IR wire.....: No
 Tropical insulation.....: No

Explosion protection

According to.....: None
 Type of protection.....: None

General

Direction of rotation.....: CW
 Painting.....: RAL 9005 Gloss 10
 Nameplate.....: Multivoltage
 Special packing.....: No
 Special requirements.....: No

Mechanical design

Frame size.....: 200
 Mounting.....: B5
 Rain cap.....: No
 Protection class.....: IP55
 Cooling method.....: IC411/TEFC
 External grounding.....: Yes
 Drain hole.....: Yes
 Frame material.....: Cast Iron
 Material approval.....: None
 Shaft.....: IEC standard
 Key.....: Closed key
 Balancing.....: Half key balancing
 Vibration class.....: Grade-A
 Weight (kg).....: 275

Environment condition

Ambient temp. min. (°C)..: -20
 Ambient temp. max. (°C)..: 40
 Altitude (mtr up to).....: 1000

Bearing

DE Bearing.....: 6312/C3
 NDE Bearing.....: 6312/C3
 Fixed bearing.....: DE

Terminal box

Tbox position.....: Top
 Cable entry direction.....: Right (from DE)
 Cable entry
 Main.....: 2 x M50x1,5
 Metal blindcaps
 Accessory.....: 2 x M20x1,5
 Metal blindcaps
 Connection type.....: Delta (D)
 Terminal board thread.....: 6-M8

Test values

Rotor inertia (kgm²).....: 0,41
 Noise level (dB(A)).....: 61
 No load current (A).....: 20,2
 Winding resist. (ohm).....: 0,19
 Starting time (sec.).....: 0,13
 Temp. rise winding (K).....: 57
 Temp. rise surface (K).....: 37

Rated power (kW)	30,0	29,0	36,0	35,0
Frequency (Hz)	50	50	60	60
Voltage (V)	400 690	380 660	480 830	440
Connection	D Y	D Y	D Y	D
Full load current (A)	54,0 31,0	55,5 32,0	54,0 31,0	55,5
Speed (rpm)	1480	1480	1760	1760
Power factor cos(phi)	0,87	0,88	0,87	0,88
Efficiency, 100/75/50 (%)	93,6/93,8/93,0	93,6/93,8/93,0	93,6/93,8/93,0	93,2/93,3/92,5
Ist/In	8,2	7,2	8,2	7,6
Full load torque (Nm)	194	188	194	188
Tst/Tn	2,9	2,7	2,9	2,5
Tmax /Tn	3,3	3	3,3	2,8
Duty	S1	S1	S1	S1
Ambient temp. (°C)	40	45	40	45