

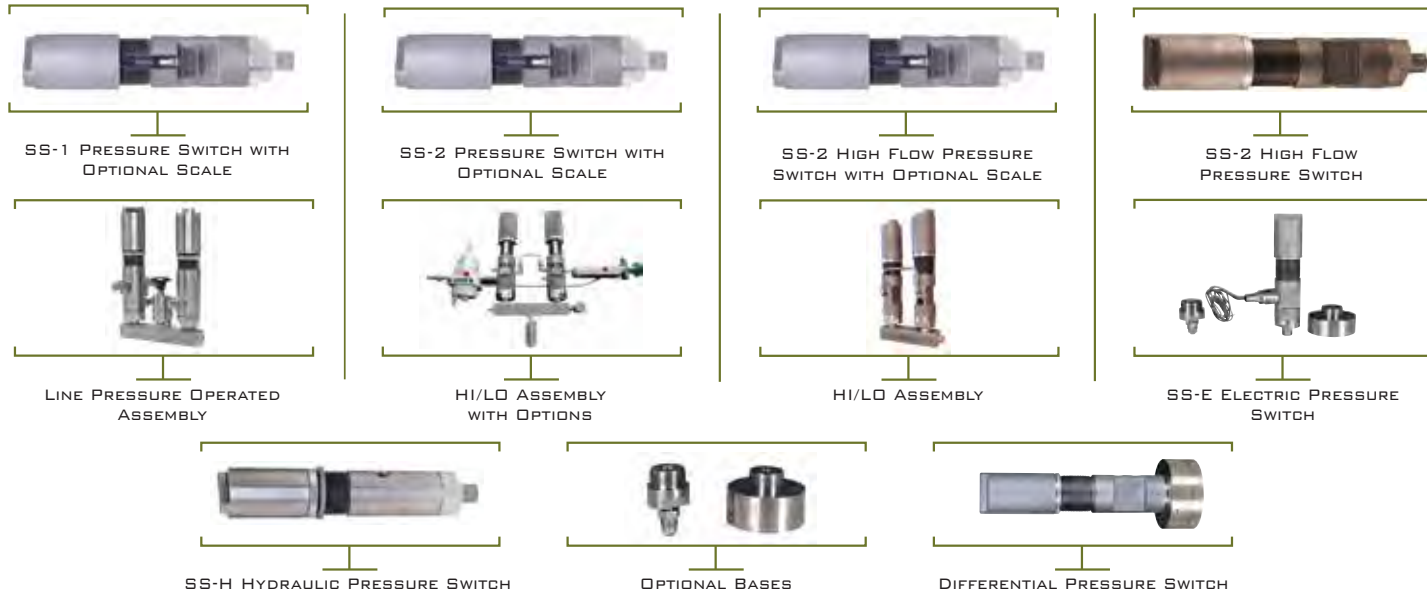
Ruelco

ISO 9001 CERTIFIED
ATEX/SIL CERTIFICATION AVAILABLE

PRESSURE SWITCHES
LEVEL SWITCHES
ESD STATIONS AND VALVES
HYDRAULIC CONTROLLERS
QUICK EXHAUST VALVES
TATTLETALE INDICATORS
FUSE PLUGS AND VENT SCREENS
PANEL ACCESSORIES
SAND PROBES
RELIEF VALVES
ACCUMULATORS
REGULATORS
CHECK VALVE
DIAL PILOT
SHUTTLE VALVE
SELF-CONTAINED

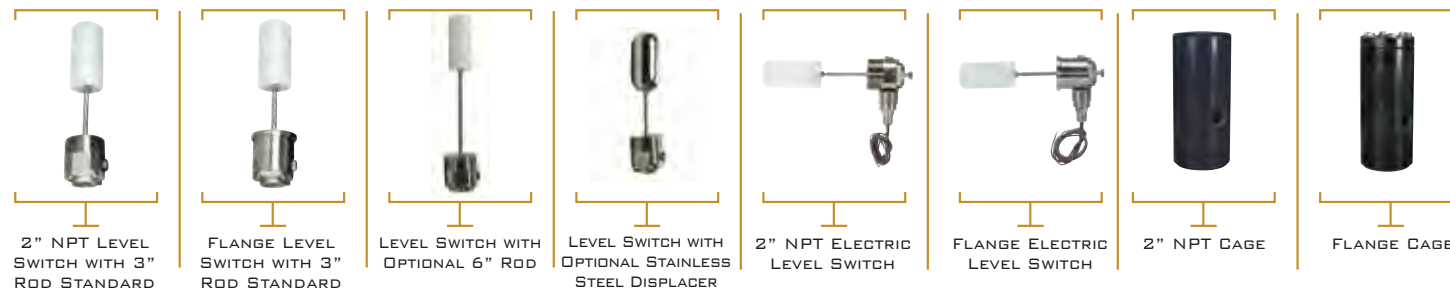
WWW.RUELCO.COM

PRESSURE SWITCHES



Pressure Switch Options: 1/2 PSI. to 20,000 PSI. Range • 30,000 PSI. Max W.P. Switch • Scales Available on All Models • NACE Certified

LEVEL SWITCHES

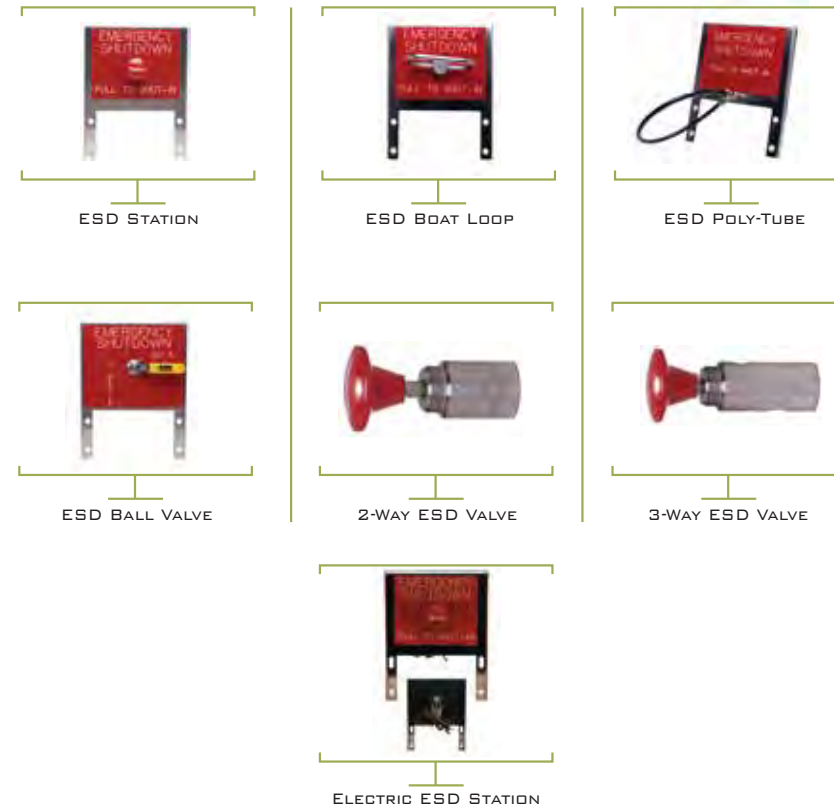


Level Switch Options: Hang Down • Adjustable for Interface • 3-Way Model • 2160 PSI. Working Pressure • NACE Certified • SPDT or DPDT

RELAYS



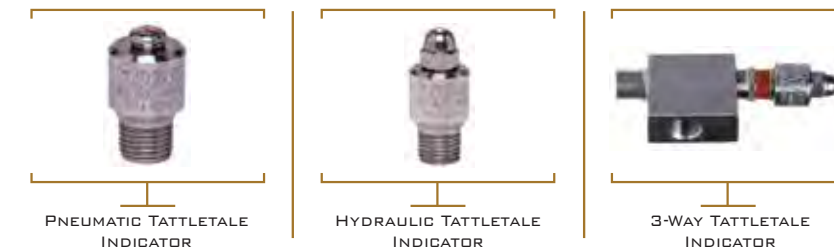
ESD STATIONS AND VALVES



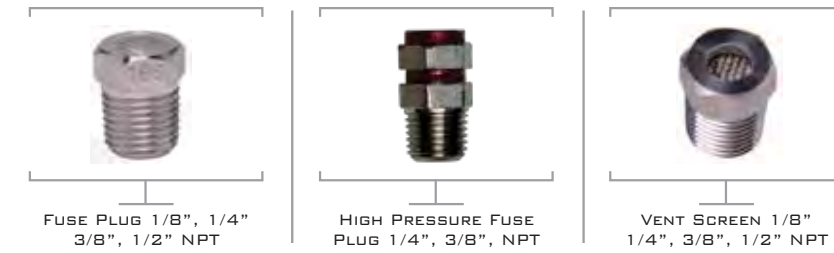
QUICK EXHAUST VALVES



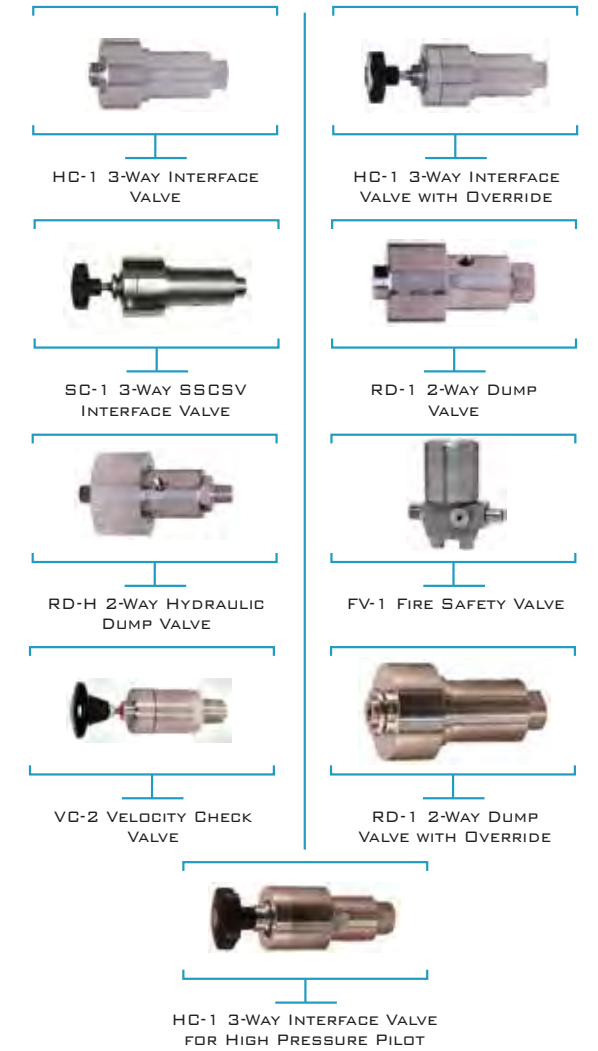
TATTLETALE INDICATORS



FUSE PLUGS AND VENT SCREENS



HYDRAULIC CONTROLLERS



PANEL ACCESSORIES



TO DOWNLOAD A COMPLETE CATALOG OR FOR OTHER TECHNICAL INFORMATION VISIT WWW.RUELCO.COM

SAND PROBES



SAND PROBE RELAY



HYDRAULIC SAND PROBE RELAY



15K HIGH PRESSURE SAND PROBE RELAY



ELECTRIC SAND PROBE RELAY



ELECTRIC HIGH PRESSURE SAND PROBE RELAY



SAND PROBES

RELIEF VALVES



RV-1 RELIEF VALVE



RV-1 LOW PRESSURE RELIEF VALVE



RV-1 HIGH PRESSURE RELIEF VALVE



RA-2 SPRING ACCUMULATOR



RA-5 HIGH PRESSURE GAS ACCUMULATOR



RA-10 HIGH PRESSURE GAS ACCUMULATOR

ACCUMULATORS

REGULATORS



RG-1 HIGH PRESSURE REGULATOR



SELF RELIEVING HIGH PRESSURE REGULATOR

CHECK VALVE



CV-1 CHECK VALVE

DIAL PILOT



HELIX DIAL PILOT

SELF CONTAINED

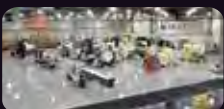


RUELCO SELF-CONTAINED SYSTEM

Ruelco

Ruelco

TO DOWNLOAD A COMPLETE CATALOG
OR FOR OTHER TECHNICAL INFORMATION
VISIT WWW.RUELCO.COM

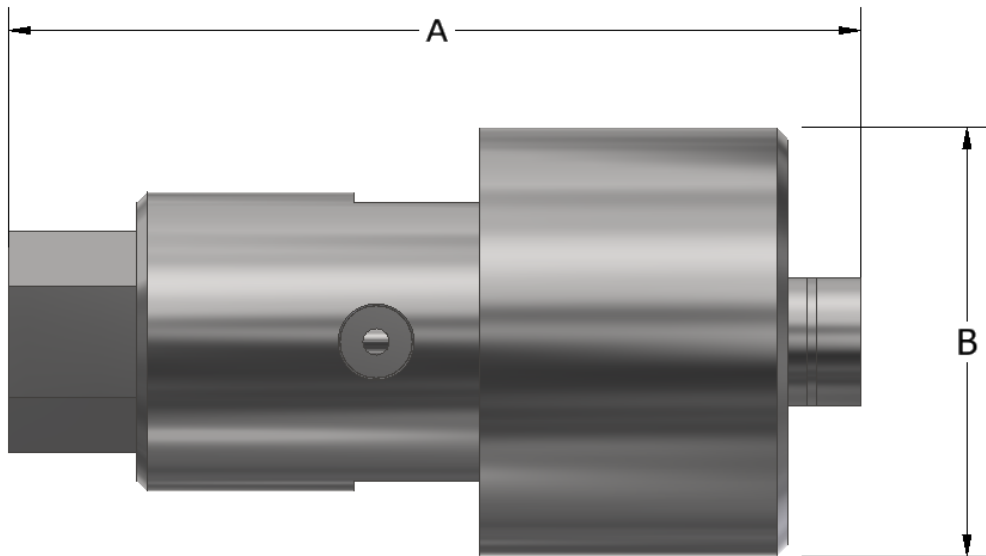


OPERATION

The Ruelco RD-1 is a 2-way normally open hydraulic controller that acts as a snap acting vent valve on loss of pilot pressure. This configuration of the Ruelco Dump Valve permits control of hydraulic pressure up to 10,000 psi with a pilot supply of 100 psi. Minimum recommended pilot pressure is 30 psi. A high ratio of hydraulic pressure to pilot control pressure ensures safe operation. A soft seal design ensures zero leakage in the hydraulic section. The internal spring and the hydraulic pressure acting on the spool area are jointly responsible for opening the valve, although each on its own provides sufficient force to open the valve. Ruggedly constructed stainless steel process wetted parts provide years of reliable service and the compact and simple design makes field maintenance easy.

FEATURES

- Stainless steel construction
- 1/4" NPT port connections
- Large Cv factor assures fast system response
- Small compact design



DIMENSIONS

A	4.95" (125.7 mm)
B	2.5" (63.5 mm)
PILOT CONNECTION PORT	1/4" FNPT
HYDRAULIC CONNECTION PORTS	1/4" FNPT
WEIGHT	3.5 lb (1.59 KG)

PHONE: 504-340-0055
FAX: 504-340-0056
EMAIL: SALES@RUELCO.COM

1209 DISTRIBUTORS ROW
NEW ORLEANS, LA 70123

2-WAY N.O. HYDRAULIC CONTROLLER

PARTS LIST

ITEM	QUANTITY	DESCRIPTION	MATERIAL
1	1	CAP	316 ST. STL.
2	1	LOCK NUT	316 ST. STL.
3*	1	O-RING	FLUOROCARBON
4*	1	O-RING	FLUOROCARBON
5	1	PISTON	316 ST. STL.
6	1	SPRING	INCONEL
7*	1	O-RING	FLUOROCARBON
8	1	BODY	316 ST. STL.
9	1	SPOOL	316 ST. STL.
10*	1	POLYPAK	FLUOROMYTE
11*	1	O-RING	FLUOROCARBON
12*	1	BACKUP	TEFLON
13	1	HEX PLUG	316 ST. STL.

*Indicates item(s) contained in the Repair Kit

SPECIFICATIONS

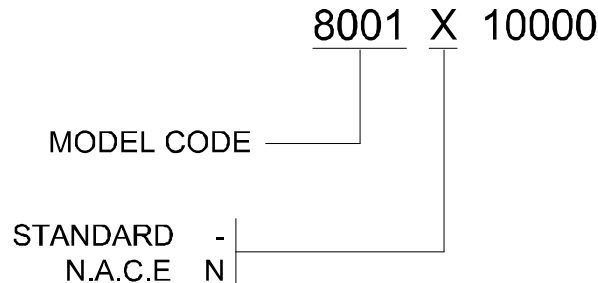
MAXIMUM PILOT PRESSURE	200 PSI (13.8 BAR)
MAXIMUM CONTROL PRESSURE	10,000 PSI (690 BAR)
Cv FACTOR	.25
AMBIENT TEMPERATURE RANGE	-20° to 250°F -29° to 121° C

REPAIR KIT

- 80-007-000

OTHER TEMPERATURE RANGES
AND SEAL COMPOUNDS AVAILABLE
UPON REQUEST

ORDERING CODE



PHONE: 504-340-0055
FAX: 504-340-0056
EMAIL: SALES@RUELCO.COM

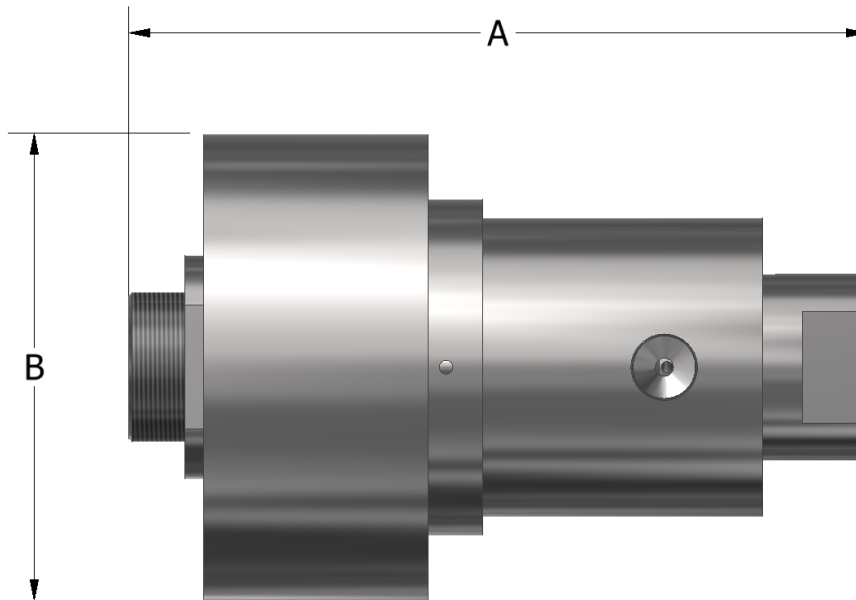
1209 DISTRIBUTORS ROW
NEW ORLEANS, LA 70123

OPERATION

The Ruelco RD-2 is a 2-way normally closed hydraulic controller that acts as a snap acting vent valve with application of pilot pressure. This configuration of the Ruelco Dump Valve permits control of hydraulic pressure up to 10,000 psi with a pilot supply of 100 psi. Minimum recommended pilot pressure is 30 psi. A high ratio of hydraulic pressure to pilot control pressure ensures safe operation. A soft seal design ensures zero leakage in the hydraulic section. The internal spring and the hydraulic pressure acting on the spool area are jointly responsible for opening the valve, although each on its own provides sufficient force to open the valve. Ruggedly constructed stainless steel process wetted parts provide years of reliable service and the compact and simple design makes field maintenance easy.

FEATURES

- Stainless steel construction
- 1/4" NPT port connections
- Large Cv factor assures fast system response
- Small compact design



DIMENSIONS

A	4.95" (125.7 mm)
B	3.125" (79.38 mm)
PANEL HOE SIZE	1.0" (25.4 mm)
PILOT CONNECTION PORT	1/4" FNPT
HYDRAULIC CONNECTION PORTS	1/4" FNPT
WEIGHT	5.20 lb (2.36 KG)

PHONE: 504-340-0055
FAX: 504-340-0056
EMAIL: SALES@RUELCO.COM

1209 DISTRIBUTORS ROW
NEW ORLEANS, LA 70123

2-WAY N.C. HYDRAULIC CONTROLLER

PARTS LIST

ITEM	QUANTITY	DESCRIPTION	MATERIAL
1	1	CAP	316 ST. STL.
2*	1	PISTON SEAL	FLUOROCARBON
3	1	SPOOL ASSEMBLY	17-4 ST. STL. & 316 ST. STL.
4	1	PISTON SPRING	316 ST. STL.
5	1	BODY	316 ST. STL.
6*	1	SHAFT SEAL	FLUOROMYTE
7*	1	SHAFT SEAL BACKUP	PEEK
8*	2	SLEEVE BACK-UP SEAL	TEFLON
9*	2	SLEEVE SEAL	NITRILE
10	1	SLEEVE	316 ST. STL.
11*	1	CENTER SEAL	PEEK
12*	1	BALL	TUNGSTEN CARBIDE
13	1	BOTTOM SLEEVE	316 ST. STL.
14	1	SPRING	316 ST. STL.
15*	1	BOTTOM CAP SEAL	NITRILE
16	1	BOTTOM CAP	316 ST. STL.

*Indicates item(s) contained in the Repair Kit

SPECIFICATIONS

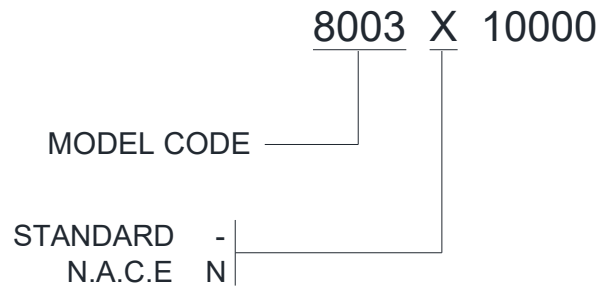
MAXIMUM PILOT PRESSURE	200 PSI (13.8 BAR)
MAXIMUM CONTROL PRESSURE	10,000 PSI (690 BAR)
Cv FACTOR	.26
AMBIENT TEMPERATURE RANGE	-20° to 250°F -29° to 121° C

REPAIR KIT

- 80-023-000

OTHER TEMPERATURE RANGES
AND SEAL COMPOUNDS AVAILABLE
UPON REQUEST

ORDERING CODE



PHONE: 504-340-0055
FAX: 504-340-0056
EMAIL: SALES@RUELCO.COM

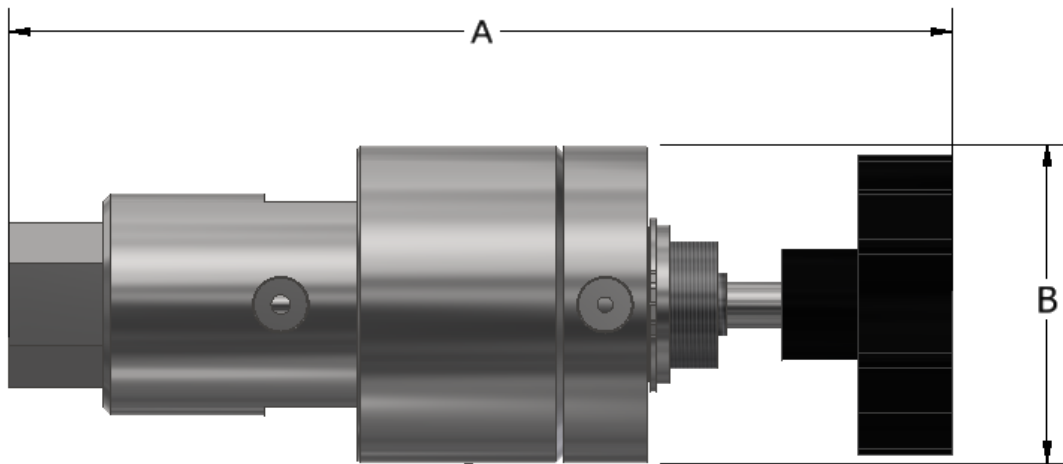
1209 DISTRIBUTORS ROW
NEW ORLEANS, LA 70123

OPERATION

The Ruelco RD-1 is a 2-way normally open hydraulic controller which can be manually locked in place and kept open with the presence of a low pressure pilot signal. In its automatic state, the valve is a snap acting vent valve on loss of pilot pressure. This configuration of the Ruelco Dump Valve permits control of hydraulic pressure up to 10,000 psi with pilot supply of up to 200 psi. The unique pilot supply design allows for 360 degree of movement in order to properly and easily connect the pilot supply to the valve. A soft seal design ensures zero leakage in the hydraulic section of the valve. Ruggedly constructed stainless steel process wetted parts provide years of reliable service and the compact and simple design makes field maintenance easy.

FEATURES

- Stainless steel construction
- 1/4" NPT port connections
- Large Cv factor assures fast system response
- Small compact design



DIMENSIONS

A	6.85" (174 mm)
B	2.50" (63.5 mm)
PILOT CONNECTION PORT	1/4" FNPT
HYDRAULIC CONNECTION PORTS	1/4" FNPT
WEIGHT	4.00 lb (1.81 KG)

SPECIFICATIONS

MAXIMUM PILOT PRESSURE	200 PSI (13.8 BAR)
MAXIMUM CONTROL PRESSURE	10,000 PSI (690 BAR)
Cv FACTOR	.25
AMBIENT TEMPERATURE RANGE	-20° to 250°F -29° to 121° C

PHONE: 504-340-0055
 FAX: 504-340-0056
 EMAIL: SALES@RUELCO.COM

1209 DISTRIBUTORS ROW
 NEW ORLEANS, LA 70123

PARTS LIST

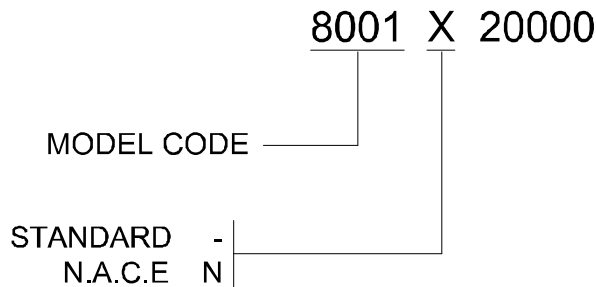
ITEM	QUANTITY	DESCRIPTION	MATERIAL
1	1	KNOB	THERMOPLASTIC
2	1	OVERRIDE	316 ST. STL.
3	1	SNAP RING	316 ST. STL.
4*	2	O-RING	FLUOROCARBON
5	1	AIR RING	316 ST. STL.
6	1	LOCK NUT	316 ST. STL.
7	1	PISTON	316 ST. STL.
8	1	SPOOL	316 ST. STL.
9*	1	O-RING	FLUOROCARBON
10	1	BODY	316 ST. STL.
11*	1	POLYPAK	FLUOROMYTE
12*	1	O-RING	FLUOROCARBON
13*	1	BACKUP	TEFLON
14	1	HEX PLUG	316 ST. STL.
15*	1	O-RING	FLUOROCARBON
16*	1	O-RING	FLUOROCARBON
17*	1	O-RING	FLUOROCARBON
18	1	SPRING	INCONEL
19	1	CAP	316 ST. STL.

*Indicates item(s) contained in the Repair Kit

REPAIR KIT

- 80-015-000 OTHER TEMPERATURE RANGES AND SEAL COMPOUNDS AVAILABLE UPON REQUEST

ORDERING CODE



PHONE: 504-340-0055
 FAX: 504-340-0056
 EMAIL: SALES@RUELCO.COM

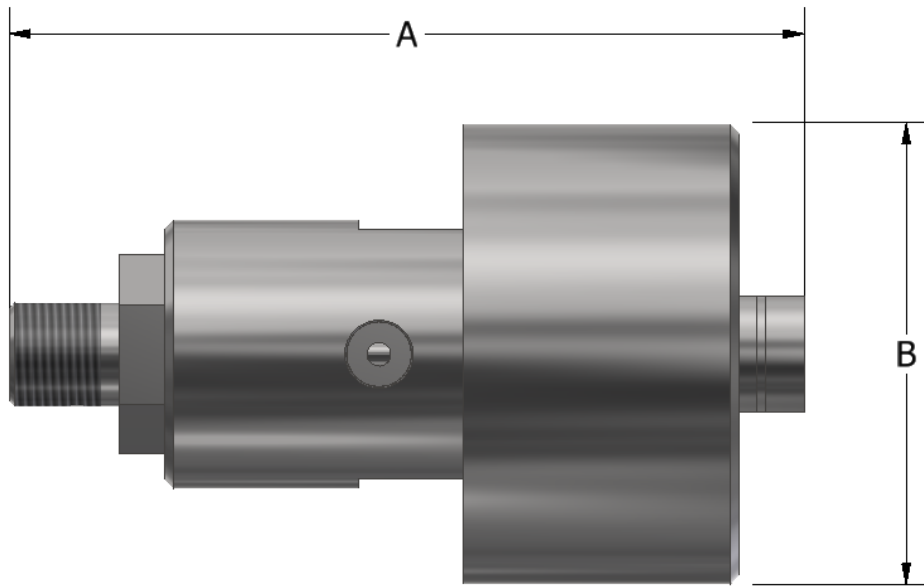
1209 DISTRIBUTORS ROW
 NEW ORLEANS, LA 70123

OPERATION

The Ruelco RD-H is a 2-way normally open, high pilot pressure hydraulic controller that acts as a snap acting vent valve on loss of pilot pressure. This configuration of the Ruelco Dump Valve permits control of hydraulic pressure up to 10,000 psi with pilot supply of up to 5,000 psi. A soft seal design ensures zero leakage in the hydraulic section of the valve. Ruggedly constructed stainless steel process wetted parts provide years of reliable service and the compact and simple design makes field maintenance easy.

FEATURES

- Stainless steel construction
- NPT port connections
- Large Cv factor assures fast system response
- Small compact design



DIMENSIONS

A	5.52" (140.2 mm)
B	3.00" (76.2 mm)
PILOT CONNECTION PORT	1/4" FNPT
HYDRAULIC INLET PORT	3/8" MNPT
HYDRAULIC EXHAUST PORT	1/4" FNPT
WEIGHT	3.75 LB (1.7 KG)

PHONE: 504-340-0055
FAX: 504-340-0056
EMAIL: SALES@RUELCO.COM

1209 DISTRIBUTORS ROW
NEW ORLEANS, LA 70123

2-WAY HIGH PILOT HYD. CONTROLLER

PARTS LIST

ITEM	QUANTITY	DESCRIPTION	MATERIAL
1	1	CAP	316 ST. STL.
2	1	LOCK NUT	316 ST. STL.
3*	1	O-RING	FLUOROCARBON
4*	1	O-RING	FLUOROCARBON
5	1	PISTON	316 ST. STL.
6	1	SPRING	INCONEL
7*	1	O-RING	FLUOROCARBON
8	1	BODY	316 ST. STL.
9	1	SPOOL	316 ST. STL.
10*	1	POLYPAK	FLUOROMYTE
11*	1	O-RING	FLUOROCARBON
12*	1	BACKUP	TEFLON
13	1	HEX PLUG	316 ST. STL.

*Indicates item(s) contained in the Repair Kit

SPECIFICATIONS

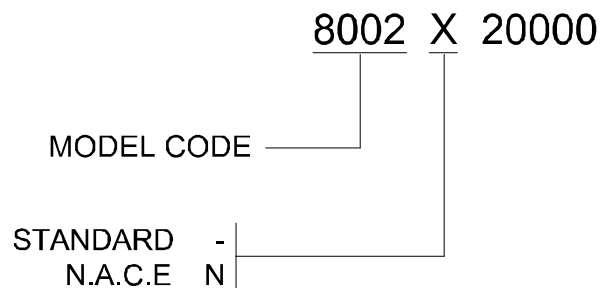
MAXIMUM PILOT PRESSURE	5,000 PSI (347 BAR)
MAXIMUM CONTROL PRESSURE	10,000 PSI (690 BAR)
Cv FACTOR	.25
AMBIENT TEMPERATURE RANGE	-20° to 250°F -29° to 121° C

REPAIR KIT

- 80-007-000

OTHER TEMPERATURE RANGES
AND SEAL COMPOUNDS AVAILABLE
UPON REQUEST

ORDERING CODE



PHONE: 504-340-0055
FAX: 504-340-0056
EMAIL: SALES@RUELCO.COM

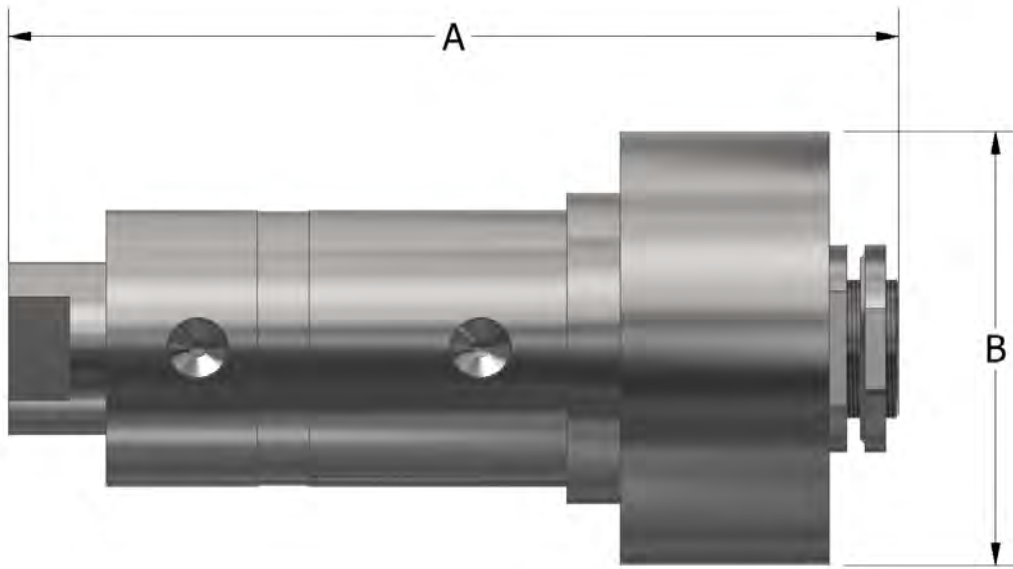
1209 DISTRIBUTORS ROW
NEW ORLEANS, LA 70123

OPERATION

The Ruelco SC-1 Interface Valve is a normally closed, 3-way, block then bleed hydraulic controller, which will completely isolate all three ports in the final movement of its function. The valve will allow inlet to outlet communication when a pilot supply is present. The unique aspect of the valve is that when the pilot supply is completely removed, the valve will prevent the outlet port from communicating with the vent port. This is extremely useful in preventing a leaking SCSSV from free flowing into the surface WHCP. While the pilot supply is present the valve functions as a normal interface valve allowing the user to control pressures as high as 10,000 psi with a pilot supply pressure of 100 psi. As the pilot supply is removed, the outlet pressure is vented, allowing the SCSSV time to close, before isolating the outlet from the vent port.

FEATURES

- 316 stainless steel construction (models to N.A.C.E. MR0175 available)
- Large Cv factor assures fast system response
- All soft seal design
- Design minimizes malfunctions due to supply system debris
- Built rugged for years of reliable field service



DIMENSIONS

A	6.42" (163.1 mm)
B	3.125" (79.4 mm)
PANEL MOUNT HOLE	1.0" (25.4 mm)
HYDRAULIC CONNECTION PORTS	1/4" FNPT
PILOT CONNECTION PORT	1/4" FNPT
WEIGHT	5.1 lbs (2.31 KG)

PHONE: 504-340-0055
 FAX: 504-340-0056
 EMAIL: SALES@RUELCO.COM

1209 DISTRIBUTORS ROW
 NEW ORLEANS, LA 70123

SPECIFICATIONS

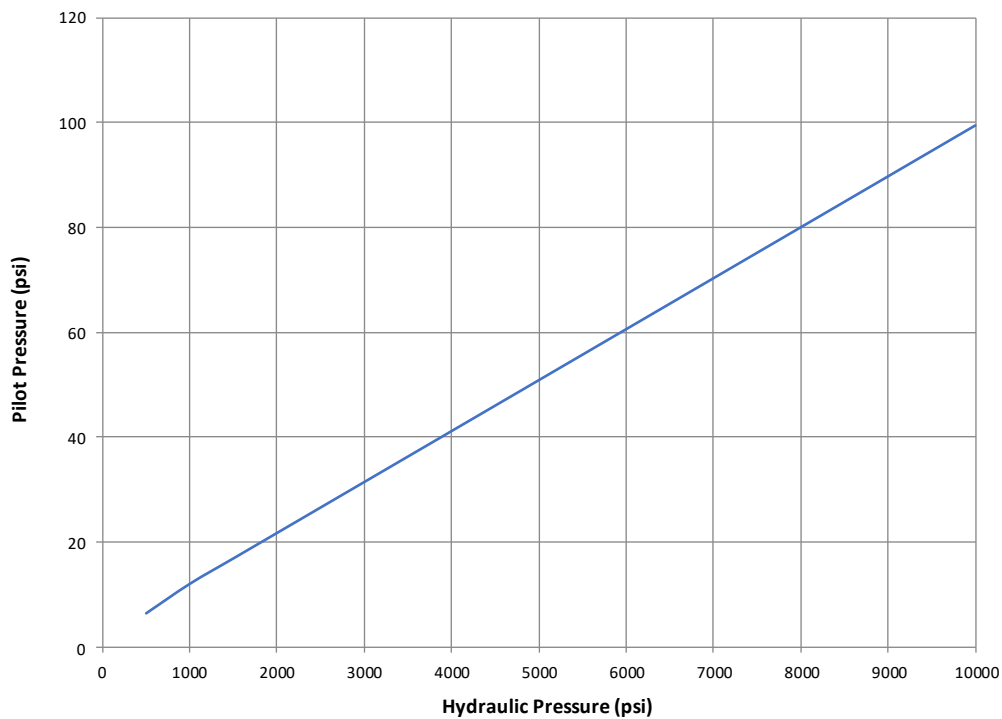
MAXIMUM INSTRUMENT PRESSURE	200 PSI (13.8 BAR)
MAXIMUM WORKING PRESSURE	10,000 PSI (680 BAR)
BURST PRESSURE	20,000 PSI (1380 BAR)
OUTLET ORIFICE SIZE	.125" (3.18 mm)
AMBIENT TEMPERATURE RANGE	-20° TO 250° F -20° TO 122° C

REPAIR KIT

- 82-009-000

OTHER TEMPERATURE RANGES
AND SEAL COMPOUNDS AVAILABLE
UPON REQUEST

CONTROL PRESSURE CHART



SC-1 3-WAY HYDRAULIC CONTROLLER

PHONE: 504-340-0055
FAX: 504-340-0056
EMAIL: SALES@RUELCO.COM

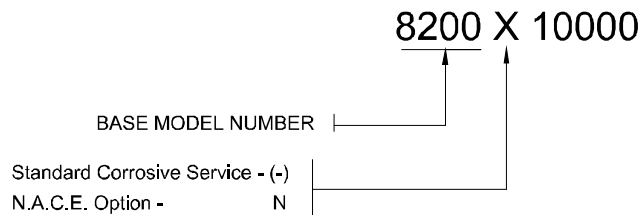
1209 DISTRIBUTORS ROW
NEW ORLEANS, LA 70123

PARTS LIST

ITEM	QUANTITY	DESCRIPTION	MATERIAL
1	1	PANEL MOUNT NUT	316 ST. STL.
2	1	CAP	316 ST. STL.
3*	1	PISTON SEAL	FLUOROCARBON
4	1	SPOOL ASSEMBLY	17-4 ST. STL. & 316 ST. STL.
5	1	PISTON SPRING	316 ST. STL.
6	1	BODY	316 ST. STL.
7*	1	SPOOL BACK-UP SEAL	TEFLON
8*	1	SPOOL SEAL	NITRILE
9*	1	SHAFT SEAL	FLUOROMYTE
10*	1	SHAFT SEAL BACKUP	PEEK
11*	2	SLEEVE BACK-UP SEAL	TEFLON
12*	2	SLEEVE SEAL	NITRILE
13	1	TOP SLEEVE	316 ST. STL.
14*	1	BLOCK SEAL	PEEK
15	1	SHUT OFF SLEEVE	316 ST. STL.
16	1	SHUT OFF PISTON	17-4 ST. STL.
17	1	SHUT OFF SPRING	316 ST. STL.
18*	1	BALL SEAL	PEEK
19*	1	BALL	TUNGSTEN CARBIDE
20	1	BOTTOM SLEEVE	316 ST. STL.
21	1	SPRING	316 ST. STL.
22*	1	BOTTOM CAP SEAL	NITRILE
23	1	BOTTOM CAP	316 ST. STL.

*Indicates item(s) contained in the Repair Kit

ORDERING CODE



PHONE: 504-340-0055
 FAX: 504-340-0056
 EMAIL: SALES@RUELCO.COM

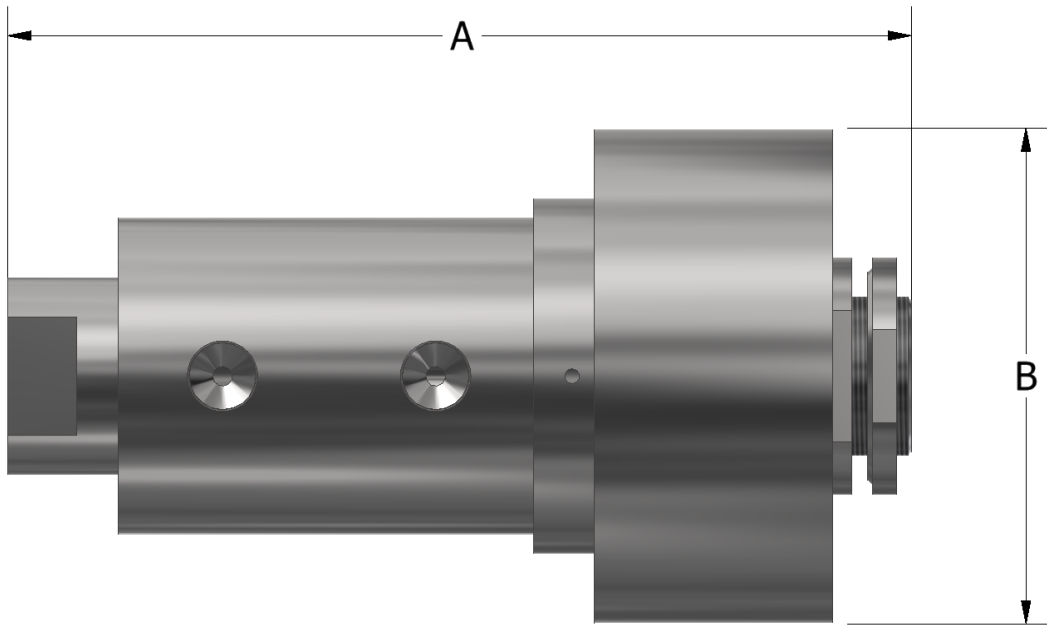
1209 DISTRIBUTORS ROW
 NEW ORLEANS, LA 70123

OPERATION

The Ruelco Interface Valve is a normally closed, 3-way, block then bleed hydraulic controller. The valve allows the user to control pressures as high as 10,000 psi with a pilot supply pressure of 100 psi. The fully block then bleed design ensures zero cross bleed between the inlet and vent ports. The unique soft seal design ensures zero leakage and also prevents damage from foreign particles and debris. The 8100 interface valve is ruggedly constructed for years of reliable field service.

FEATURES

- 316 stainless steel construction (models to N.A.C.E. MR0175 available)
- Large Cv factor assures fast system response
- All soft seal design
- Design minimizes malfunctions due to supply system debris



DIMENSIONS

A	5.75" (146.1 mm)
B	3.125" (79.4 mm)
PANEL MOUNT HOLE	1.0" (25.4 mm)
HYDRAULIC CONNECTION PORTS	1/4" FNPT
PILOT CONNECTION PORT	1/4" FNPT
WEIGHT	4.9 lbs (2.44 KG)

PHONE: 504-340-0055
FAX: 504-340-0056
EMAIL: SALES@RUELCO.COM

1209 DISTRIBUTORS ROW
NEW ORLEANS, LA 70123

3-WAY HYDRAULIC CONTROLLER

SPECIFICATIONS

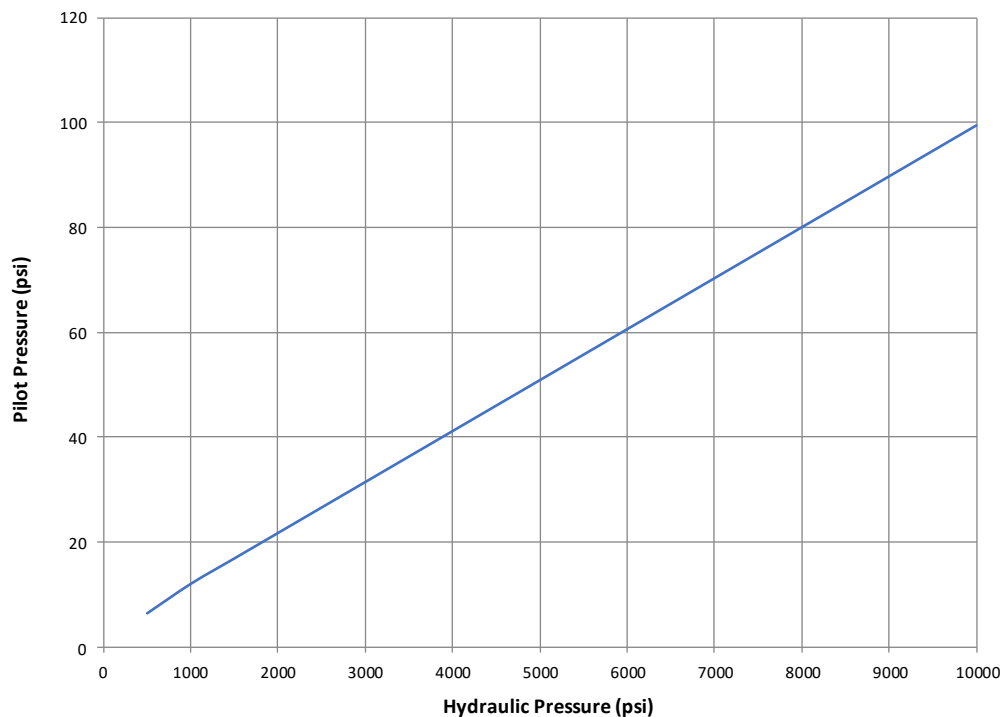
MAXIMUM INSTRUMENT PRESSURE	200 PSI (13.8 BAR)
MAXIMUM WORKING PRESSURE	10,000 PSI (680 BAR)
BURST PRESSURE	20,000 PSI (1380 BAR)
OUTLET ORIFICE SIZE	.125" (3.18 mm)
AMBIENT TEMPERATURE RANGE	-20° TO 250° F -20° TO 122° C

REPAIR KIT

- 81-016-000

OTHER TEMPERATURE RANGES
AND SEAL COMPOUNDS AVAILABLE
UPON REQUEST

CONTROL PRESSURE CHART



3-WAY HYDRAULIC CONTROLLER

PHONE: 504-340-0055
FAX: 504-340-0056
EMAIL: SALES@RUELCO.COM

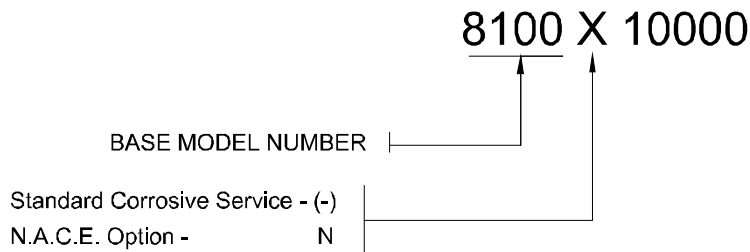
1209 DISTRIBUTORS ROW
NEW ORLEANS, LA 70123

PARTS LIST

ITEM	QUANTITY	DESCRIPTION	MATERIAL
1	1	PANEL MOUNT NUT	316 ST. STL.
2	1	CAP	316 ST. STL.
3*	1	PISTON SEAL	FLUOROCARBON
4	1	SPOOL ASSEMBLY	17-4 ST. STL. & 316 ST. STL.
5	1	PISTON SPRING	316 ST. STL.
6	1	BODY	316 ST. STL.
7*	1	SPOOL BACK-UP SEAL	TEFLON
8*	1	SPOOL SEAL	NITRILE
9*	1	SHAFT SEAL	FLUOROMYTE
10*	1	SHAFT SEAL BACKUP	PEEK
11*	2	SLEEVE BACK-UP SEAL	TEFLON
12*	2	SLEEVE SEAL	NITRILE
13	1	SLEEVE	316 ST. STL.
14*	1	CENTER SEAL	PEEK
15*	1	BALL	TUNGSTEN CARBIDE
16	1	BOTTOM SLEEVE	316 ST. STL.
17	1	SPRING	316 ST. STL.
18*	1	BOTTOM CAP SEAL	NITRILE
19	1	BOTTOM CAP	316 ST. STL.

*Indicates item(s) contained in the Repair Kit

ORDERING CODE



PHONE: 504-340-0055
 FAX: 504-340-0056
 EMAIL: SALES@RUELCO.COM

1209 DISTRIBUTORS ROW
 NEW ORLEANS, LA 70123

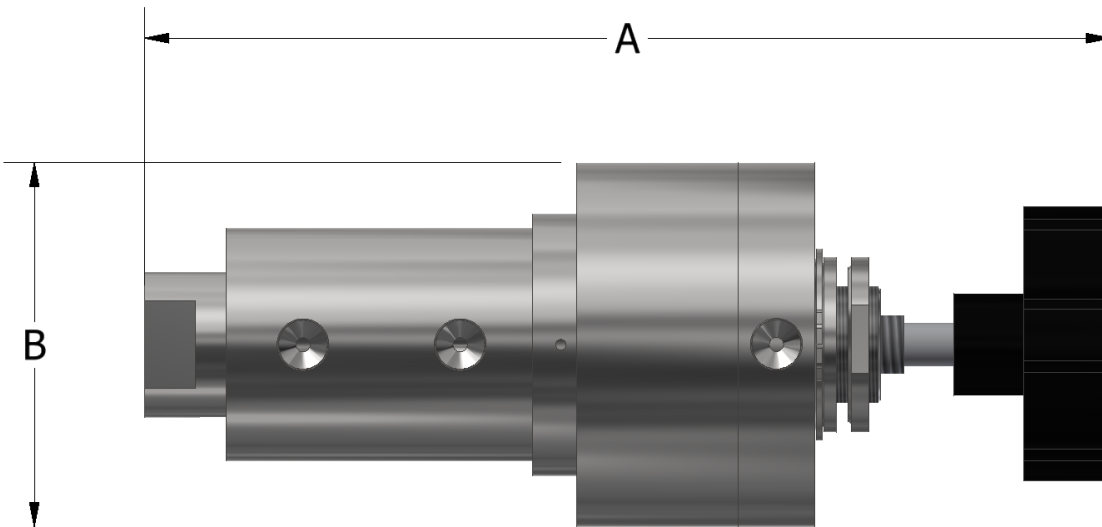
3-WAY HYDRAULIC CONTROLLER

OPERATION

The Ruelco Interface Valve with override is a normally closed, 3-way, block then bleed hydraulic controller. The valve allows the user to control pressures as high as 10,000 psi with a pilot supply pressure of 100 psi. The fully block then bleed design ensures zero cross bleed between the inlet and vent ports. The unique soft seal design ensures zero leakage and also prevents damage from foreign particles and debris. By using the screw down manual override handle, the valve can be locked open for system testing. The unique pilot ring allows for a 360 degree rotation of the pilot supply port, to aide in proper alignment. The 8100 interface valve is ruggedly constructed for years of reliable field service.

FEATURES

- 316 stainless steel construction (models to N.A.C.E. MR0175 available)
- Large Cv factor assures fast system response
- All soft seal design
- Design minimizes malfunctions due to supply system debris.
- Manual override for locking valve open for testing



DIMENSIONS

A	8.75" (222.3 mm)
B	3.125" (79.4 mm)
PANEL MOUNT HOLE	1.0" (25.4 mm)
HYDRAULIC CONNECTION PORTS	1/4" FNPT
PILOT CONNECTION PORT	1/4" FNPT
WEIGHT	6.03 lbs (2.73 KG)

PHONE: 504-340-0055
 FAX: 504-340-0056
 EMAIL: SALES@RUELCO.COM

1209 DISTRIBUTORS ROW
 NEW ORLEANS, LA 70123

SPECIFICATIONS

MAXIMUM INSTRUMENT PRESSURE	200 PSI (13.8 BAR)
MAXIMUM WORKING PRESSURE	10,000 PSI (680 BAR)
BURST PRESSURE	20,000 PSI (1380 BAR)
OUTLET ORIFICE SIZE	.125" (3.18 mm)
AMBIENT TEMPERATURE RANGE	-20° TO 250° F -20° TO 122° C

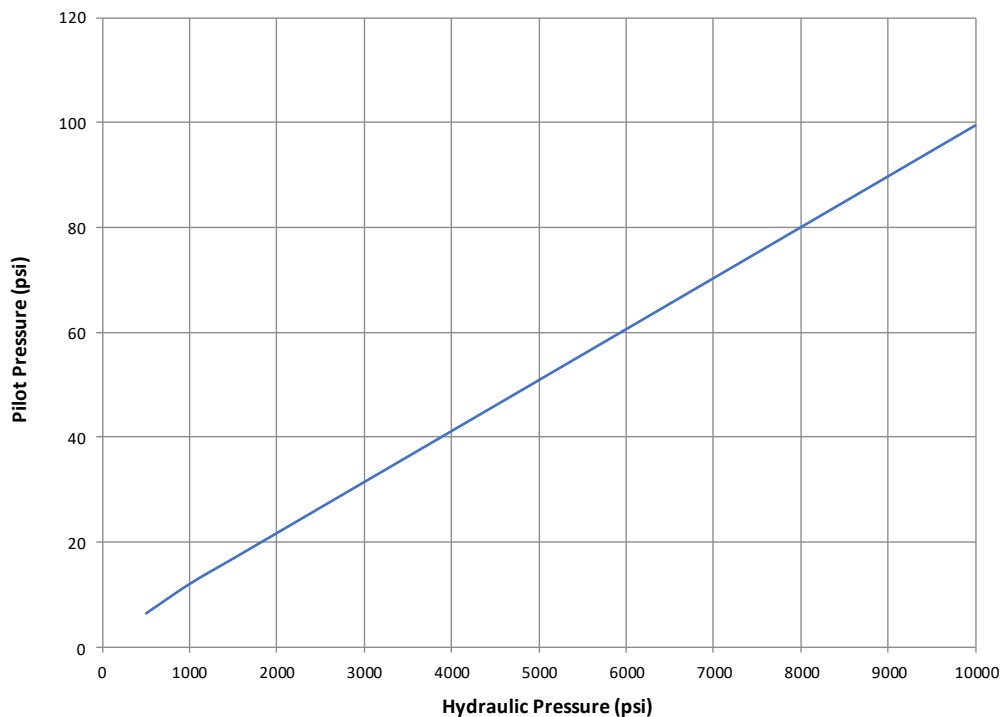
REPAIR KIT

- 81-017-000

OTHER TEMPERATURE RANGES
AND SEAL COMPOUNDS AVAILABLE
UPON REQUEST

3-WAY HYDRAULIC OVERRIDE CONTROLLER

CONTROL PRESSURE CHART



PHONE: 504-340-0055
FAX: 504-340-0056
EMAIL: SALES@RUELCO.COM

1209 DISTRIBUTORS ROW
NEW ORLEANS, LA 70123

3-WAY HYDRAULIC OVERRIDE CONTROLLER

PARTS LIST

ITEM	QUANTITY	DESCRIPTION	MATERIAL
1	1	KNOB	PLASTIC
2	1	PANEL MOUNT NUT	316 ST. STL.
3	1	OVERRIDE	NITRONIC
4*	1	OVERRIDE SEAL	FLUOROCARBON
5	1	CAP	316 ST. STL.
6	1	SNAP RING	316 ST. STL.
7	1	AIR RING	316 ST. STL.
8*	2	AIR RING SEALS	FLUOROCARBON
9*	1	PISTON SEAL	FLUOROCARBON
10	1	SPOOL ASSEMBLY	17-4 ST. STL. & 316 ST. STL.
11	1	PISTON SPRING	316 ST. STL.
12	1	BODY	316 ST. STL.
13*	1	SPOOL BACK-UP SEAL	TEFLON
14*	1	SPOOL SEAL	NITRILE
15*	1	SHAFT SEAL	FLUOROMYTE
16*	1	SHAFT SEAL BACKUP	PEEK
17*	2	SLEEVE BACK-UP SEAL	TEFLON
18*	2	SLEEVE SEAL	NITRILE
19	1	SLEEVE	316 ST. STL.
20*	1	CENTER SEAL	PEEK
21*	1	BALL	TUNGSTEN CARBIDE
22	1	BOTTOM SLEEVE	316 ST. STL.
23	1	SPRING	316 ST. STL.
24*	1	BOTTOM CAP SEAL	NITRILE
25	1	BOTTOM CAP	316 ST. STL.

*Indicates item(s) contained in the Repair Kit

ORDERING CODE

8100 X 20000

BASE MODEL NUMBER

Standard Corrosive Service - (-)
N.A.C.E. Option - N

PHONE: 504-340-0055
FAX: 504-340-0056
EMAIL: SALES@RUELCO.COM

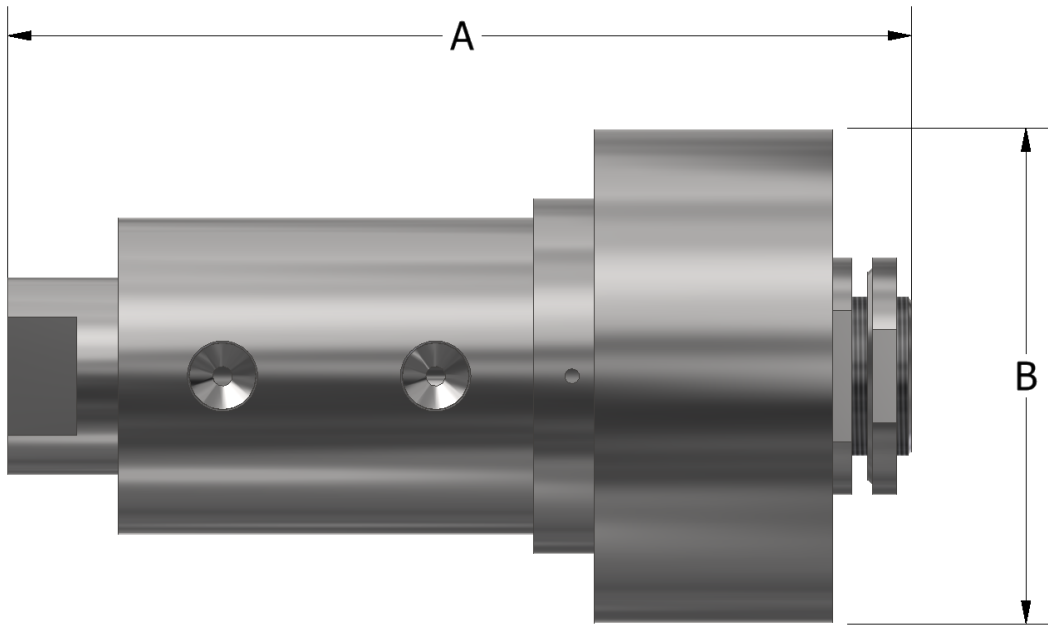
1209 DISTRIBUTORS ROW
NEW ORLEANS, LA 70123

OPERATION

The Ruelco Interface Valve is a normally closed, 3-way, block then bleed Hydraulic Controller. The valve allows the user to control pressures as high as 10,000 psi with a pilot supply pressure of up to 6,000 psi. The fully block then bleed design ensures zero cross bleed between the inlet and vent ports. The unique soft seal design ensures zero leakage and also prevents damage from foreign particles and debris. The 8100 interface valve is ruggedly constructed for years of reliable field service.

FEATURES

- 316 stainless steel construction (models to N.A.C.E. MR0175 available)
- Large Cv factor assures fast system response
- All soft seal design
- Design minimizes malfunctions due to supply system debris



DIMENSIONS

A	5.75" (146.1 mm)
B	3.125" (79.4 mm)
PANEL MOUNT HOLE	1.0" (25.4 mm)
HYDRAULIC CONNECTION PORTS	1/4" FNPT
PILOT CONNECTION PORT	1/4" FNPT
WEIGHT	5.5 lbs (2.58 KG)

PHONE: 504-340-0055
 FAX: 504-340-0056
 EMAIL: SALES@RUELCO.COM

1209 DISTRIBUTORS ROW
 NEW ORLEANS, LA 70123

SPECIFICATIONS

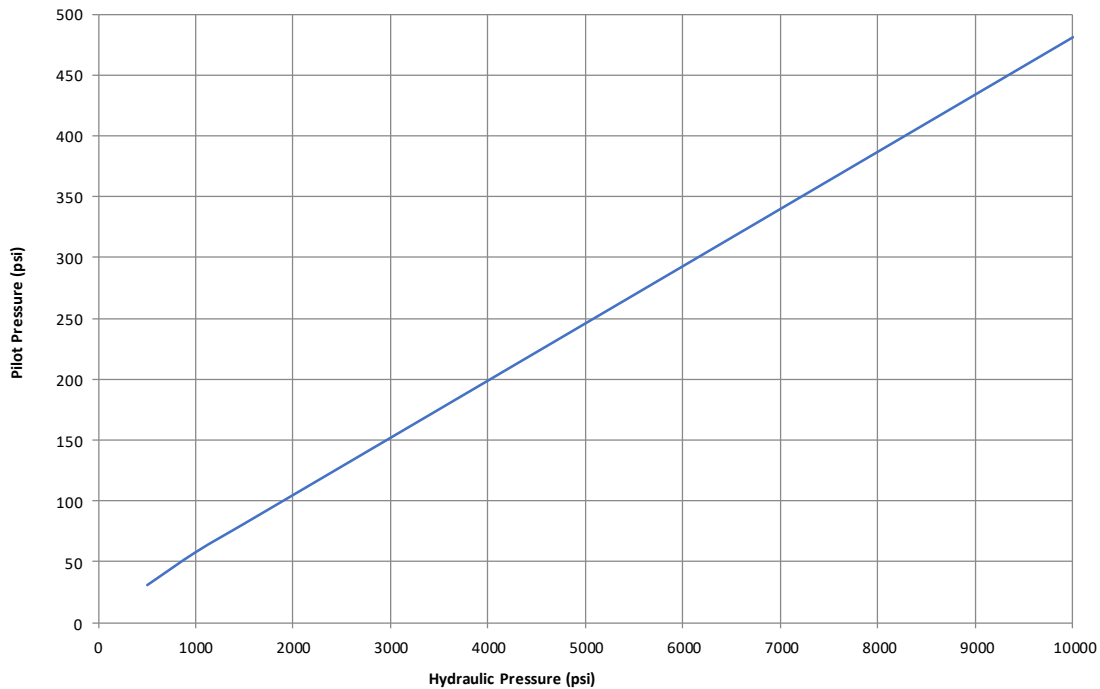
MAXIMUM INSTRUMENT PRESSURE	6,000 PSI (414 BAR)
MAXIMUM WORKING PRESSURE	10,000 PSI (680 BAR)
BURST PRESSURE	20,000 PSI (1380 BAR)
OUTLET ORIFICE SIZE	.125" (3.18 mm)
AMBIENT TEMPERATURE RANGE	-20° TO 250° F -20° TO 122° C

REPAIR KIT

- 81-023-000
- OTHER TEMPERATURE RANGES
AND SEAL COMPOUNDS AVAILABLE
UPON REQUEST

3-WAY HIGH PILOT HYDRAULIC CONTROLLER

CONTROL PRESSURE CHART



PHONE: 504-340-0055
FAX: 504-340-0056
EMAIL: SALES@RUELCO.COM

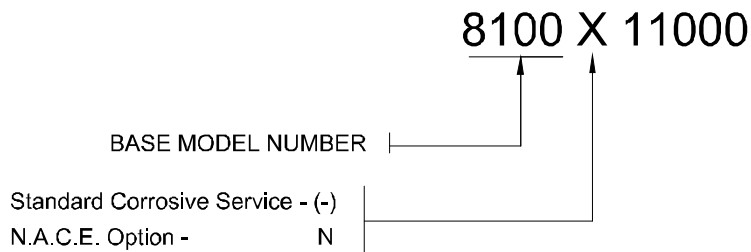
1209 DISTRIBUTORS ROW
NEW ORLEANS, LA 70123

PARTS LIST

ITEM	QUANTITY	DESCRIPTION	MATERIAL
1	1	PANEL MOUNT NUT	316 ST. STL.
2	1	CAP	316 ST. STL.
3*	1	PISTON SEAL	FLUOROCARBON
4	1	SPOOL ASSEMBLY	17-4 ST. STL. & 316 ST. STL.
5	1	PISTON SPRING	316 ST. STL.
6	1	BODY	316 ST. STL.
7*	1	SPOOL BACK-UP SEAL	TEFLON
8*	1	SPOOL SEAL	NITRILE
9*	1	SHAFT SEAL	FLUOROMYTE
10*	1	SHAFT SEAL BACKUP	PEEK
11*	2	SLEEVE BACK-UP SEAL	TEFLON
12*	2	SLEEVE SEAL	NITRILE
13	1	SLEEVE	316 ST. STL.
14*	1	CENTER SEAL	PEEK
15*	1	BALL	TUNGSTEN CARBIDE
16	1	BOTTOM SLEEVE	316 ST. STL.
17	1	SPRING	316 ST. STL.
18*	1	BOTTOM CAP SEAL	NITRILE
19	1	BOTTOM CAP	316 ST. STL.

*Indicates item(s) contained in the Repair Kit

ORDERING CODE



PHONE: 504-340-0055
 FAX: 504-340-0056
 EMAIL: SALES@RUELCO.COM

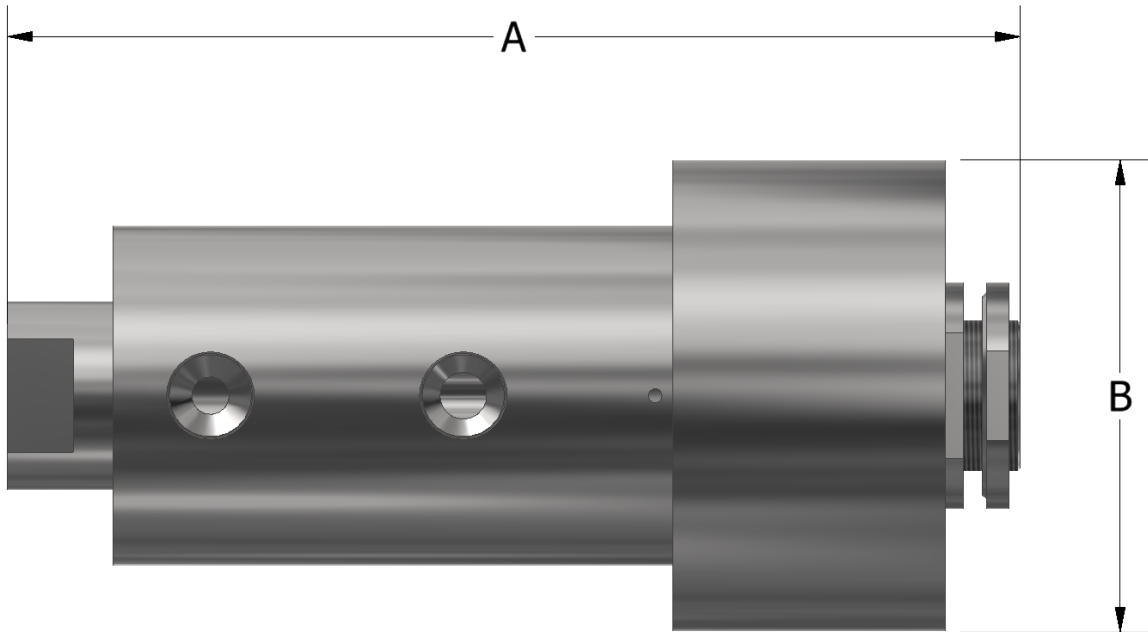
1209 DISTRIBUTORS ROW
 NEW ORLEANS, LA 70123

OPERATION

The Ruelco High Flow Interface Valve is a normally closed, 3-way, block then bleed hydraulic controller. The valve allows the user to control pressures as high as 6,000 psi with a pilot supply pressure of 100 psi. The fully block then bleed design ensures zero cross bleed between the inlet and vent ports. The unique soft seal design ensures zero leakage and also prevents damage from foreign particles and debris. The 8300 interface valve is ruggedly constructed for years of reliable field service.

FEATURES

- 316 stainless steel construction (models to N.A.C.E. MR0175 available)
- Large Cv factor assures fast system response
- All soft seal design
- Design minimizes malfunctions due to supply system debris



DIMENSIONS

A	6.75" (171.4 mm)
B	3.125" (79.4 mm)
PANEL MOUNT HOLE	1.0" (25.4 mm)
HYDRAULIC CONNECTION PORTS	3/8" FNPT
PILOT CONNECTION PORT	1/4" FNPT
WEIGHT	6.8 lbs (3.08 KG)

PHONE: 504-340-0055
 FAX: 504-340-0056
 EMAIL: SALES@RUELCO.COM

1209 DISTRIBUTORS ROW
 NEW ORLEANS, LA 70123

SPECIFICATIONS

MAXIMUM INSTRUMENT PRESSURE	200 PSI (13.8 BAR)
MAXIMUM WORKING PRESSURE	6,000 PSI (414 BAR)
BURST PRESSURE	7,500 PSI (517 BAR)
OUTLET ORIFICE SIZE	.312" (7.93 mm)
AMBIENT TEMPERATURE RANGE	-20° TO 250° F -20° TO 122° C

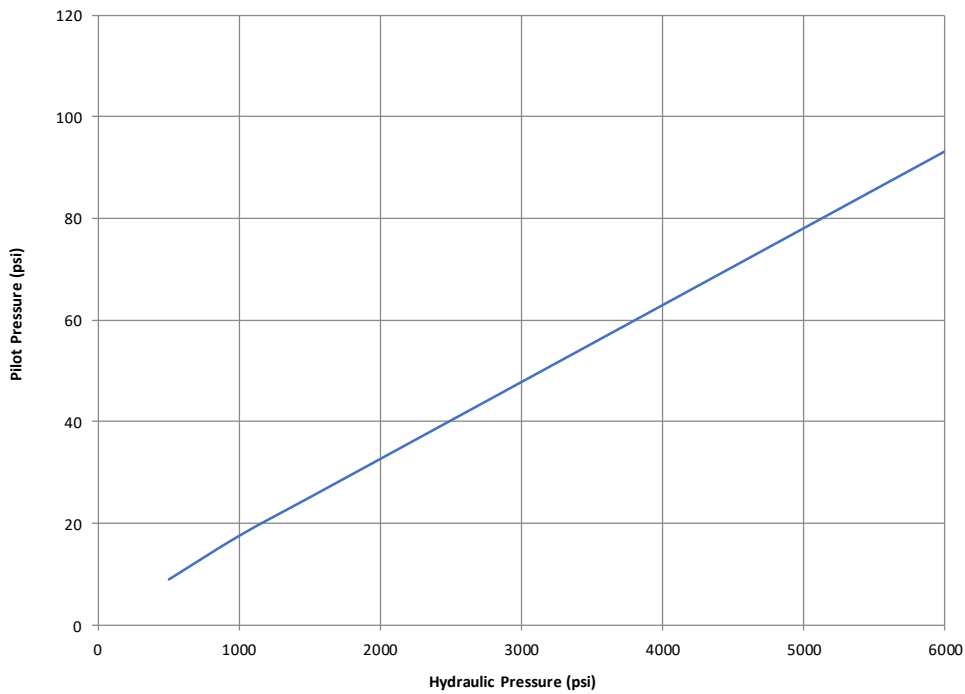
REPAIR KIT

- 81-036-000

OTHER TEMPERATURE RANGES
AND SEAL COMPOUNDS AVAILABLE
UPON REQUEST

3-WAY HIGH FLOW HYDRAULIC CONTROLLER

CONTROL PRESSURE CHART



PHONE: 504-340-0055
FAX: 504-340-0056
EMAIL: SALES@RUELCO.COM

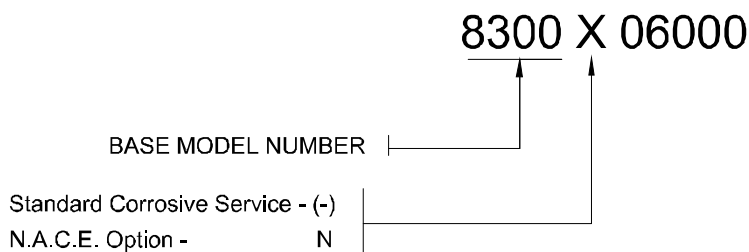
1209 DISTRIBUTORS ROW
NEW ORLEANS, LA 70123

PARTS LIST

ITEM	QUANTITY	DESCRIPTION	MATERIAL
1	1	PANEL MOUNT NUT	316 ST. STL.
2	1	CAP	316 ST. STL.
3*	1	PISTON SEAL	FLUOROCARBON
4	1	SPOOL ASSEMBLY	17-4 ST. STL. & 316 ST. STL.
5	1	PISTON SPRING	316 ST. STL.
6	1	BODY	316 ST. STL.
7*	1	SPOOL BACK-UP SEAL	TEFLON
8*	1	SPOOL SEAL	NITRILE
9*	1	SHAFT SEAL	FLUOROMYTE
10*	2	SLEEVE BACK-UP SEAL	TEFLON
11*	2	SLEEVE SEAL	NITRILE
12	1	SLEEVE	17-4 ST. STL.
13*	1	CENTER SEAL	PEEK
14*	1	BALL	TUNGSTEN CARBIDE
15	1	BOTTOM SLEEVE	316 ST. STL.
16	1	SPRING	316 ST. STL.
17*	1	BOTTOM CAP SEAL	NITRILE
18	1	BOTTOM CAP	316 ST. STL.

*Indicates item(s) contained in the Repair Kit

ORDERING CODE



PHONE: 504-340-0055
 FAX: 504-340-0056
 EMAIL: SALES@RUELCO.COM

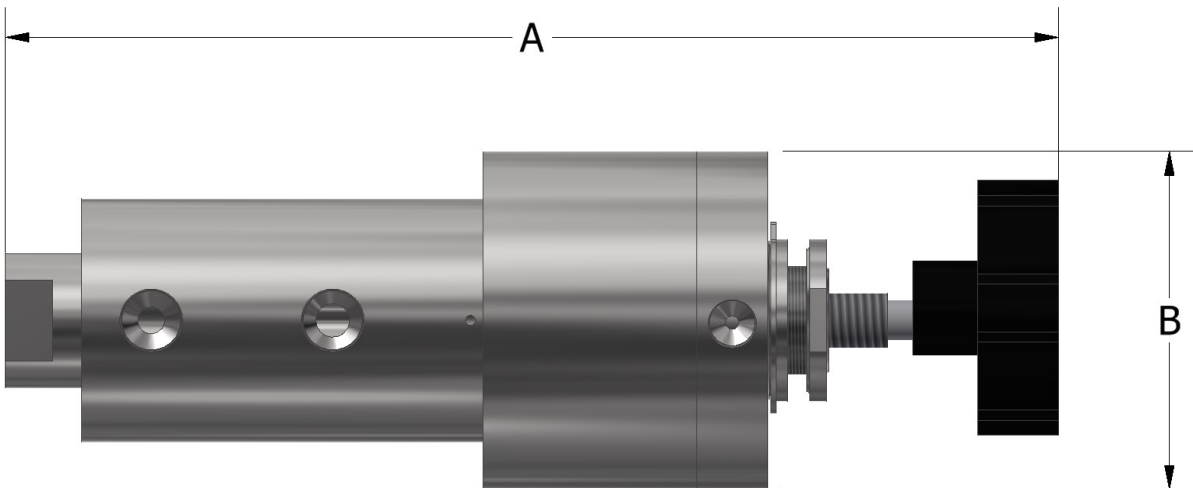
1209 DISTRIBUTORS ROW
 NEW ORLEANS, LA 70123

OPERATION

The Ruelco High Flow Interface Valve is a normally closed, 3-way, block then bleed hydraulic controller. The valve allows the user to control pressures as high as 6,000 psi with a pilot supply pressure of 100 psi. The fully block then bleed design ensures zero cross bleed between the inlet and vent ports. The unique soft seal design ensures zero leakage and also prevents damage from foreign particles and debris. The 8300 interface valve is ruggedly constructed for years of reliable field service.

FEATURES

- 316 stainless steel construction (models to N.A.C.E. MR0175 available)
- Large Cv factor assures fast system response
- All soft seal design
- Design minimizes malfunctions due to supply system debris



DIMENSIONS

A	9.62" (244.35 mm)
B	3.125" (79.4 mm)
PANEL MOUNT HOLE	1.0" (25.4 mm)
HYDRAULIC CONNECTION PORTS	3/8" FNPT
PILOT CONNECTION PORT	1/4" FNPT
WEIGHT	8.43 lbs (3.82 KG)

PHONE: 504-340-0055
 FAX: 504-340-0056
 EMAIL: SALES@RUELCO.COM

1209 DISTRIBUTORS ROW
 NEW ORLEANS, LA 70123

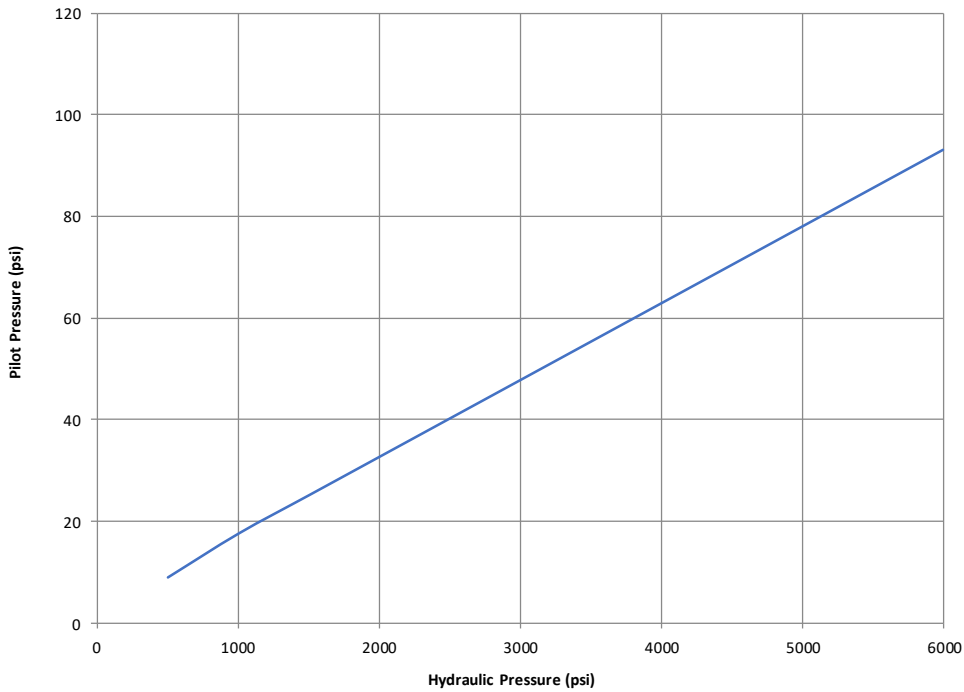
SPECIFICATIONS

MAXIMUM INSTRUMENT PRESSURE	200 PSI (13.8 BAR)
MAXIMUM WORKING PRESSURE	6,000 PSI (414 BAR)
BURST PRESSURE	7,500 PSI (517 BAR)
OUTLET ORIFICE SIZE	.312" (7.93 mm)
AMBIENT TEMPERATURE RANGE	-20° TO 250° F -20° TO 122° C

REPAIR KIT

- 81-039-000
- OTHER TEMPERATURE RANGES
AND SEAL COMPOUNDS AVAILABLE
UPON REQUEST

CONTROL PRESSURE CHART



PHONE: 504-340-0055
 FAX: 504-340-0056
 EMAIL: SALES@RUELCO.COM

1209 DISTRIBUTORS ROW
 NEW ORLEANS, LA 70123

PARTS LIST

ITEM	QUANTITY	DESCRIPTION	MATERIAL
1	1	KNOB	PLASTIC
2	1	PANEL MOUNT NUT	316 ST. STL.
3	1	OVERRIDE	NITRONIC
4*	1	OVERRIDE SEAL	FLUOROCARBON
5	1	CAP	316 ST. STL.
6	1	SNAP RING	316 ST. STL.
7	1	AIR RING	316 ST. STL.
8*	2	AIR RING SEALS	FLUOROCARBON
9*	1	PISTON SEAL	FLUOROCARBON
10	1	SPOOL ASSEMBLY	17-4 ST. STL. & 316 ST. STL.
11	1	PISTON SPRING	316 ST. STL.
12	1	BODY	316 ST. STL.
13*	1	SPOOL BACK-UP SEAL	TEFLON
14*	1	SPOOL SEAL	NITRILE
15*	1	SHAFT SEAL	FLUOROMYTE
16*	2	SLEEVE BACK-UP SEAL	TEFLON
17*	2	SLEEVE SEAL	NITRILE
18	1	SLEEVE	316 ST. STL.
19*	1	CENTER SEAL	PEEK
20*	1	BALL	TUNGSTEN CARBIDE
21	1	BOTTOM SLEEVE	316 ST. STL.
22	1	SPRING	316 ST. STL.
23*	1	BOTTOM CAP SEAL	NITRILE
24	1	BOTTOM CAP	316 ST. STL.

*Indicates item(s) contained in the Repair Kit

ORDERING CODE

8300 X 26000

BASE MODEL NUMBER

Standard Corrosive Service - (-)
N.A.C.E. Option - N

PHONE: 504-340-0055
FAX: 504-340-0056
EMAIL: SALES@RUELCO.COM

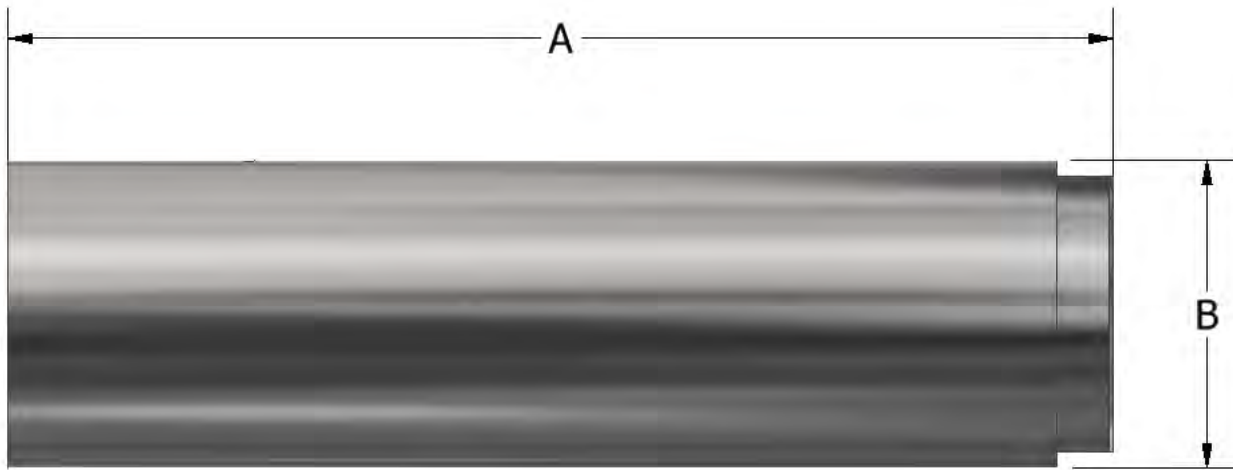
1209 DISTRIBUTORS ROW
NEW ORLEANS, LA 70123

OPERATION

The Ruelco RA-2 Spring Accumulator is designed to provide an independent energy source for any low-pressure application. The 316 stainless steel construction allows for high corrosion resistance in harsh environments. The honed bore and wear ring allow for a smooth stroke, maximizing the total amount of life cycles. The simple design of the RA-2 can be disassembled and cleaned without the need for special tools.

FEATURES

- Stainless steel construction (N.A.C.E. model available)
- Precision honed bore to increase lifespan
- T-seal and back-ring piston assembly
- Spring allows for reliable charge
- Simple operation allows for easy maintenance



DIMENSIONS

A	8.00" (203 mm)
B	2.37" (60.2 mm)
INLET CONNECTION SIZE	1/4" NPT

PHONE: 504-340-0055
FAX: 504-340-0056
EMAIL: SALES@RUELCO.COM

1209 DISTRIBUTORS ROW
NEW ORLEANS, LA 70123

3,000 PSI 6 CU IN SPRING ACCUMULATOR

PARTS LIST

ITEM	QUANTITY	DESCRIPTION	MATERIAL
1	1	BODY	316 ST. STL.
2	1	SPRING	SPRING WIRE
3*	1	PISTON	6061 -T6 AL
4*	1	WEAR RING	NYLON
5*	1	PISTON T-SEAL W/ BACK UPS	NITRILE
6*	1	O-RING	NITRILE
7*	1	BACK UP SEAL	TEFLON
8	1	CAP	316 ST. STL.

* INDICATES ITEMS IN THE REPAIR KIT

SPECIFICATIONS

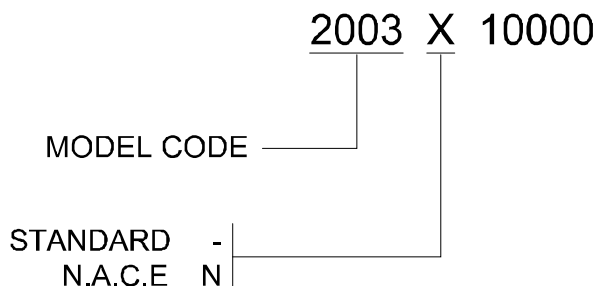
MAXIMUM WORKING PRESSURE	3,000 PSI (207 BAR)
FLUID CAPACITY	6 CU IN (98.3 CU CM)
AMBIENT TEMPERATURE RANGE	-20 TO 200° F -29 TO 93.3° C
PRESSURE TO FULLY OPEN	140 PSI (9.8 KG/CM)

REPAIR KIT

- 20-104-000

OTHER TEMPERATURE RANGES AND SEAL COMPOUNDS AVAILABLE UPON REQUEST

ORDERING CODE



PHONE: 504-340-0055
 FAX: 504-340-0056
 EMAIL: SALES@RUELCO.COM

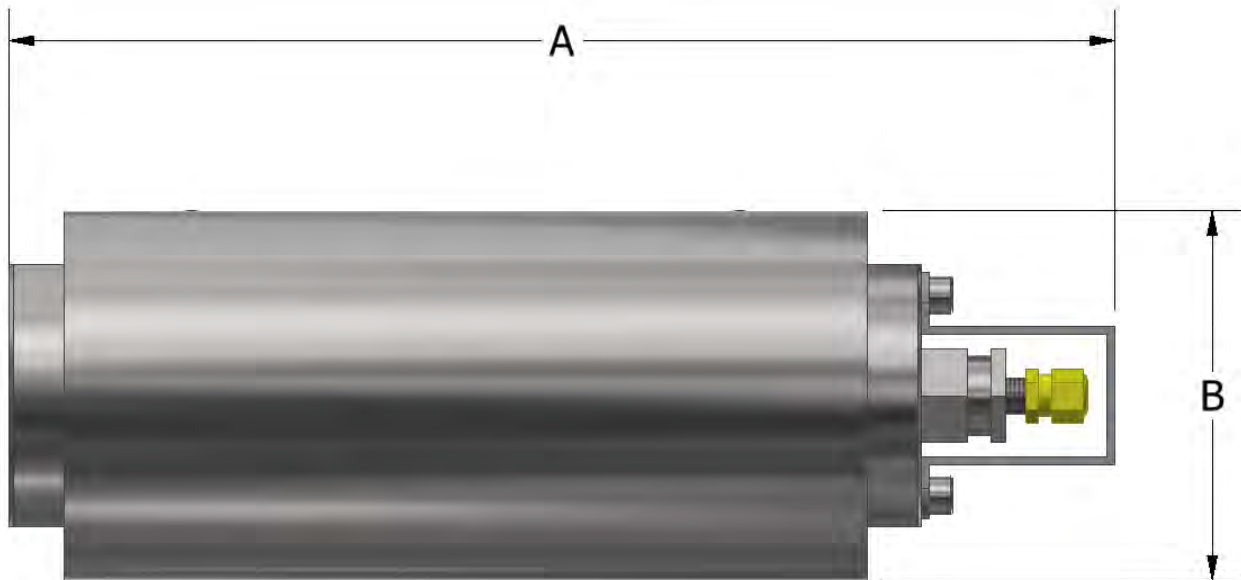
1209 DISTRIBUTORS ROW
 NEW ORLEANS, LA 70123

OPERATION

The Ruelco RA-5 is a piston type accumulator that provides a mean for regulating the performance of a hydraulic system. It is suitable for storing hydraulic energy under high pressure, absorbing hydraulic shocks and dampening pump pulsation and flow fluctuations. The 316 stainless steel construction allows for high corrosion resistance in harsh environments. The honed bore and wear ring allow for a smooth stroke, maximizing the total life cycle. The simple design also allows the RA-5 to be disassembled and cleaned without the need for any special tools.

FEATURES

- 316 stainless steel construction (N.A.C.E. Model Available)
- Precision honed bore to increase lifespan
- T-seal and back-up ring piston assembly
- Schrader valve allows safe charge and discharge
- Simple operation facilitates maintenance



DIMENSIONS

A	8.88" (225 mm)
B	3.00" (76.2 mm)
HYDRAULIC PORT SIZE	1/4" FNPT
WEIGHT	11.6 LBS (5.26 kg)

PHONE: 504-340-0055
 FAX: 504-340-0056
 EMAIL: SALES@RUELCO.COM

1209 DISTRIBUTORS ROW
 NEW ORLEANS, LA 70123

PARTS LIST

ITEM	QTY.	DESCRIPTION	MATERIAL
1	1	GAS VALVE PROTECTOR	316 ST. STL.
2	1	GAS VALVE W/ CAP	316 ST. STL.
3	2	SOCKET HEAD SCREW	316 ST. STL.
4*	1	O-RING	NITRILE
5	1	GAS CAP	316 ST. STL.
6	1	BODY	17-4 ST. STL.
7	1	PISTON	6061-T6 AL
8*	1	WEAR RING	NYLON
9*	1	PISTON T-SEAL W/ BACK UPS	NITRILE
10*	2	O-RING	NITRILE
11*	2	BACK UP SEAL	TEFLON
12	1	FLUID CAP	316 ST. STL.

* INDICATES ITEMS IN THE REPAIR KIT

SPECIFICATIONS

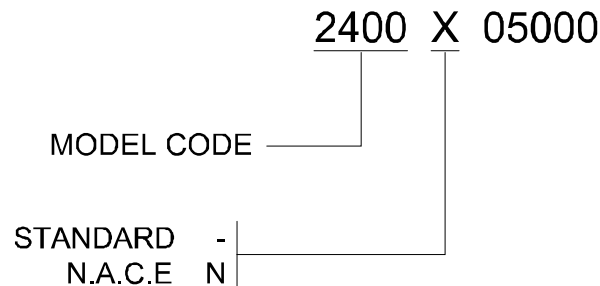
MAXIMUM WORKING PRESSURE	5,000 PSI (345 BAR)
FLUID CAPACITY	6 CU IN (98.3 CUBIC CM)
AMBIENT TEMPERATURE RANGE	-20 TO 200° F -29 TO 93.3° C
GAS VALVE INSTALLATION TORQUE	120 IN -LBS

REPAIR KIT

- 20-204-000

OTHER TEMPERATURE RANGES AND SEAL COMPOUNDS AVAILABLE UPON REQUEST

ORDERING CODE



PHONE: 504-340-0055
 FAX: 504-340-0056
 EMAIL: SALES@RUELCO.COM

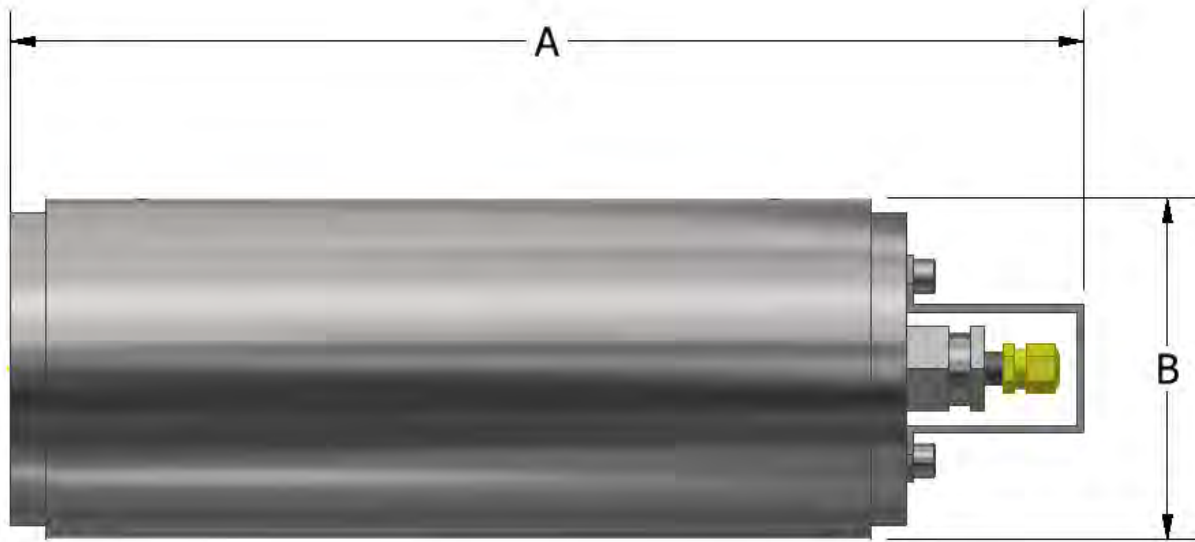
1209 DISTRIBUTORS ROW
 NEW ORLEANS, LA 70123

OPERATION

The Ruelco RA-5 is a piston type accumulator that provides a mean for regulating the performance of a hydraulic system. It is suitable for storing hydraulic energy under high pressure, absorbing hydraulic shocks and dampening pump pulsation and flow fluctuations. The stainless steel construction allows for high corrosion resistance in harsh environments. The honed bore and wear ring allow for a smooth stroke, maximizing the total life cycle. The simple design also allows the RA-5 to be disassembled and cleaned without the need for any special tools.

FEATURES

- Stainless steel construction (N.A.C.E. model available)
- Precision honed bore to increase lifespan
- T-seal and back-up ring piston assembly
- Schrader valve allows safe charge and discharge
- Simple operation facilitates maintenance



DIMENSIONS

A	9.45" (240 mm)
B	3.00" (76.2 mm)
HYDRAULIC PORT SIZE	1/4" FNPT
WEIGHT	9.6 LBS (4.35 kg)

PHONE: 504-340-0055
 FAX: 504-340-0056
 EMAIL: SALES@RUELCO.COM

1209 DISTRIBUTORS ROW
 NEW ORLEANS, LA 70123

PARTS LIST

ITEM	QUANTITY	DESCRIPTION	MATERIAL
1	1	GAS VALVE PROTECTOR	316 ST. STL.
2	1	GAS VALVE W/ CAP	316 ST. STL.
3	2	SOCKET HEAD SCREW	316 ST. STL.
4*	1	O-RING	NITRILE
5	1	GAS CAP	316 ST. STL.
6	1	BODY	17-4 ST. STL.
7	1	PISTON	6061-T6 AL
8*	1	WEAR RING	NYLON
9*	1	PISTON T-SEAL W/ BACK UPS	NITRILE
10*	2	O-RING	NITRILE
11*	2	BACK UP SEAL	TEFLON
12	1	FLUID CAP	316 ST. STL.

* INDICATES ITEMS IN THE REPAIR KIT

SPECIFICATIONS

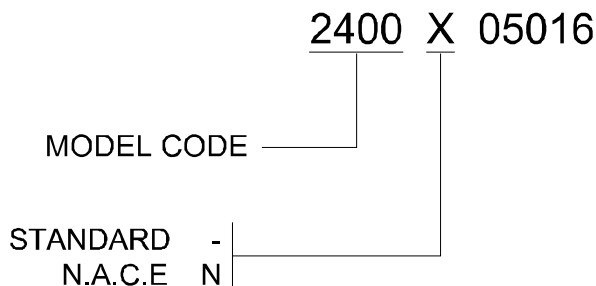
MAXIMUM WORKING PRESSURE	5,000 PSI (345 BAR)
FLUID CAPACITY	16 CU IN (262 CU CM)
AMBIENT TEMPERATURE RANGE	-20 TO 200° F -29 TO 93.3° C
GAS VALVE INSTALLATION TORQUE	120 IN -LBS

REPAIR KIT

- 20-214-000

OTHER TEMPERATURE RANGES AND SEAL COMPOUNDS AVAILABLE UPON REQUEST

ORDERING CODE



PHONE: 504-340-0055
 FAX: 504-340-0056
 EMAIL: SALES@RUELCO.COM

1209 DISTRIBUTORS ROW
 NEW ORLEANS, LA 70123

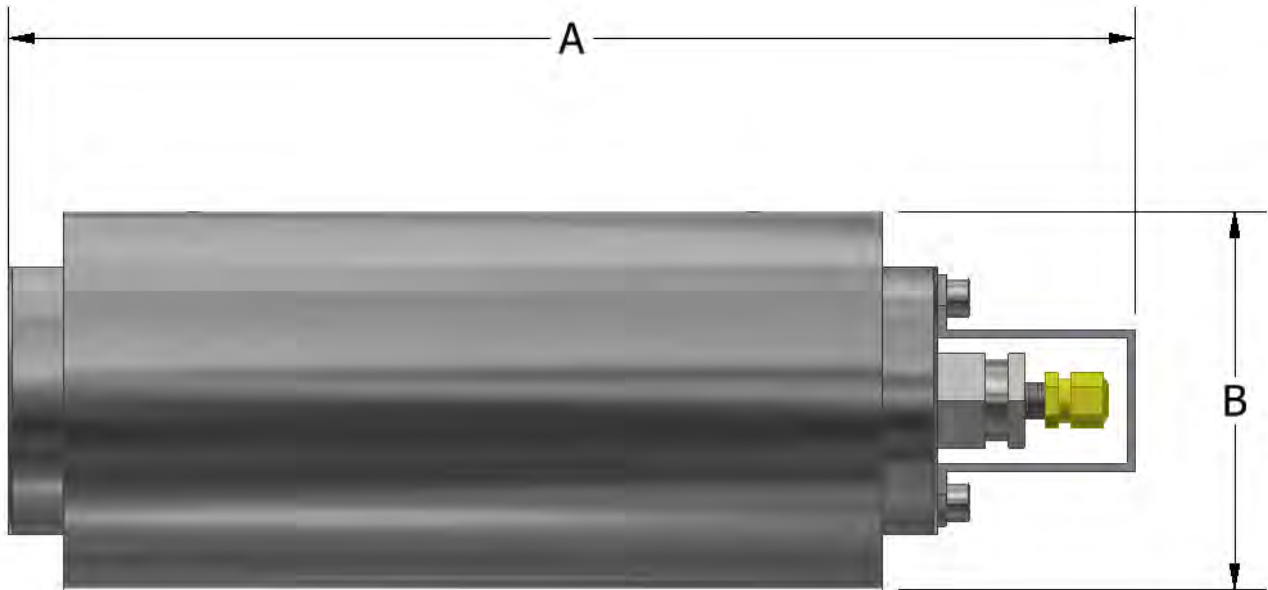
OPERATION

The Ruelco RA-5L is a piston type accumulator that provides a mean for regulating the performance of a hydraulic system. It is suitable for storing hydraulic energy under high pressure, absorbing hydraulic shocks and dampening pump pulsation and flow fluctuations. The anodized aircraft grade aluminum construction allows for high corrosion resistance in harsh environments. The honed bore and wear ring allow for a smooth stroke, maximizing the total life cycle. The simple design also allows the RA-5L to be disassembled and cleaned without the need for any special tools.

FEATURES

- 6061-T6 aircraft grade aluminum
- Lightweight design
- Precision honed bore to increase lifespan
- T-seal and back-up ring piston assembly
- Schrader valve allows safe charge and discharge
- Simple operation facilitates maintenance

5,000 PSI 6 CU IN GAS ACCUMULATOR



DIMENSIONS

A	8.88" (225 mm)
B	3.00" (76.2 mm)
HYDRAULIC PORT SIZE	1/4" FNPT
WEIGHT	4.27 LBS (1.994 kg)

PHONE: 504-340-0055
FAX: 504-340-0056
EMAIL: SALES@RUELCO.COM

1209 DISTRIBUTORS ROW
NEW ORLEANS, LA 70123

PARTS LIST

ITEM	QUANTITY	DESCRIPTION	MATERIAL
1	1	GAS VALVE PROTECTOR	316 ST. STL.
2	1	GAS VALVE W/ CAP	316 ST. STL.
3	2	SOCKET HEAD SCREW	316 ST. STL.
4*	1	O-RING	NITRILE
5	1	GAS CAP	6061-T6 AL
6	1	BODY	6061-T6 AL
7	1	PISTON	6061-T6 AL
8*	1	WEAR RING	NYLON
9*	1	PISTON T-SEAL W/ BACK UPS	NITRILE
10*	2	O-RING	NITRILE
11*	2	BACK UP SEAL	TEFLON
12	1	FLUID CAP	6061-T6 AL

* INDICATES ITEMS IN THE REPAIR KIT

SPECIFICATIONS

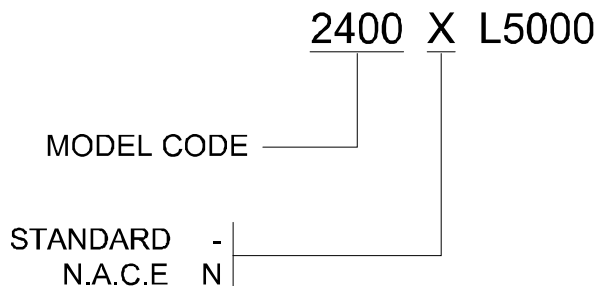
MAXIMUM WORKING PRESSURE	5,000 PSI (345 BAR)
FLUID CAPACITY	6 CU IN (98.3 CU CM)
AMBIENT TEMPERATURE RANGE	-20 TO 180° F -29 TO 82° C
GAS VALVE INSTALLATION TORQUE	120 IN -LBS

REPAIR KIT

- 20-204-000

OTHER TEMPERATURE RANGES AND SEAL COMPOUNDS AVAILABLE UPON REQUEST

ORDERING CODE



PHONE: 504-340-0055
 FAX: 504-340-0056
 EMAIL: SALES@RUELCO.COM

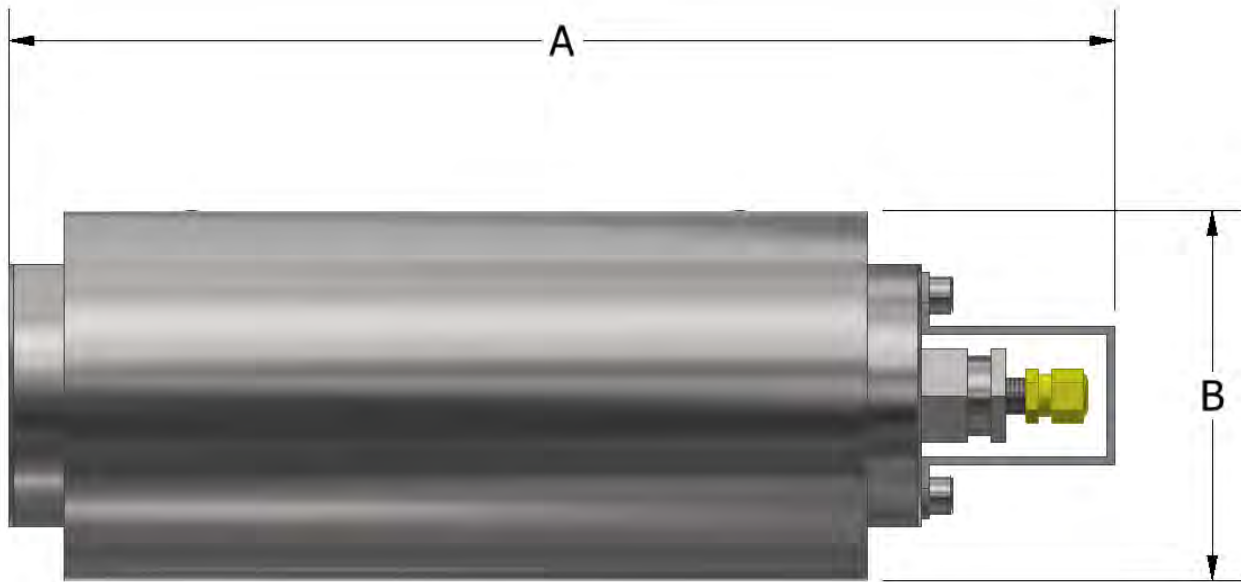
1209 DISTRIBUTORS ROW
 NEW ORLEANS, LA 70123

OPERATION

The Ruelco RA-10 is a piston type accumulator that provides a means for regulating the performance of a hydraulic system. It is suitable for storing hydraulic energy under high pressure, absorbing hydraulic shocks and dampening pump pulsation and flow fluctuations. The 316 stainless steel construction allows for high corrosion resistance in harsh environments. The honed bore and wear ring allow for a smooth stroke, maximizing the total life cycle. The simple design also allows the RA-10 to be disassembled and cleaned without the need for any special tools.

FEATURES

- 316 stainless steel construction (N.A.C.E. model available)
- Precision honed bore to increase lifespan
- T-seal and back-up ring piston assembly
- Schrader valve allows safe charge and discharge
- Simple operation facilitates maintenance



DIMENSIONS

A	8.88" (225 mm)
B	3.00" (76.2 mm)
HYDRAULIC PORT SIZE	1/4" FNPT
WEIGHT	11.6 LBS (5.26 kg)

PHONE: 504-340-0055
 FAX: 504-340-0056
 EMAIL: SALES@RUELCO.COM

1209 DISTRIBUTORS ROW
 NEW ORLEANS, LA 70123

PARTS LIST

ITEM	QUANTITY	DESCRIPTION	MATERIAL
1	1	GAS VALVE PROTECTOR	316 ST. STL.
2	1	GAS VALVE W/ CAP	316 ST. STL.
3	2	SOCKET HEAD SCREW	316 ST. STL.
4*	1	O-RING	NITRILE
5	1	GAS CAP	316 ST. STL.
6	1	BODY	316 ST. STL.
7	1	PISTON	6061-T6 AL
8*	1	WEAR RING	PEEK
9*	1	PISTON T-SEAL W/ BACK UPS	NITRILE
10*	2	O-RING	NITRILE
11*	2	BACK UP SEAL	TEFLON
12	1	FLUID CAP	316 ST. STL.

* INDICATES ITEMS IN THE REPAIR KIT

SPECIFICATIONS

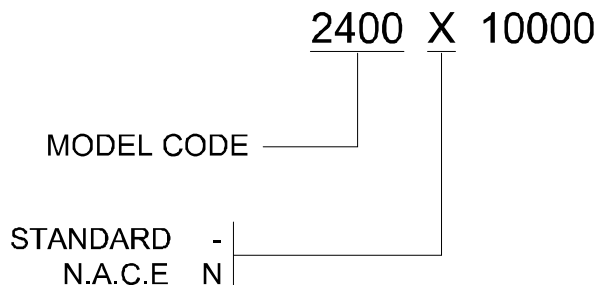
MAXIMUM WORKING PRESSURE	10,000 PSI (689.5 BAR)
FLUID CAPACITY	6 CU IN (98.3 CU CM)
AMBIENT TEMPERATURE RANGE	-20 TO 200° F -29 TO 93.3° C
GAS VALVE INSTALLATION TORQUE	120 IN. -LBS

REPAIR KIT

- 20-204-000

OTHER TEMPERATURE RANGES AND SEAL COMPOUNDS AVAILABLE UPON REQUEST

ORDERING CODE



PHONE: 504-340-0055
 FAX: 504-340-0056
 EMAIL: SALES@RUELCO.COM

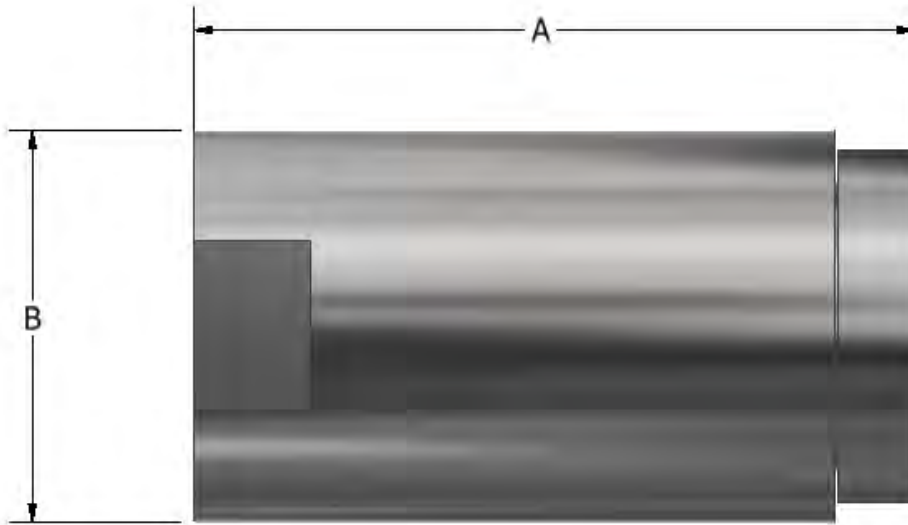
1209 DISTRIBUTORS ROW
 NEW ORLEANS, LA 70123

OPERATION

The Ruelco CV-1 high pressure check valve is designed to provide reliable one way flow for a wide range of fluids and conditions. The 17-4 stainless steel construction and reliable soft seal O-rings allows for high corrosion resistance in harsh environments. The CV-1 was designed with a high flow rate in mind with the orifice being equal to 1/4" I.D. tubing. The simple design allows the valve to be disassembled and field repaired without the need for any special tools.

FEATURES

- 316 stainless steel construction (N.A.C.E. model available)
- All soft seal design
- Large Cv factors produce large flow rates
- Small compact design
- Simple operation allows for easy repair



CHECK VALVE

DIMENSIONS

A	2.31" (58.7 mm)
B	1.25" (31.8 mm)
PORT SIZES	1/4" FNPT
WEIGHT	10.6 oz (301 g)

PHONE: 504-340-0055
FAX: 504-340-0056
EMAIL: SALES@RUELCO.COM

1209 DISTRIBUTORS ROW
NEW ORLEANS, LA 70123

PARTS LIST

ITEM	QUANTITY	DESCRIPTION	MATERIAL
1	1	CAP	17-4 ST. STL.
2	1	BODY	17-4 ST. STL.
3*	1	O-RING	FLUOROCARBON
4*	1	O-RING	FLUOROCARBON
5	1	POPPET	17-4 ST. STL.
6	1	SPRING	316 ST. STL.

* INDICATES ITEMS IN THE REPAIR KIT

SPECIFICATIONS

VALVE BODY MAXIMUM WORKING PRESSURE	10,000 PSI (689.5 BAR)
CRACKING PRESSURE	5 PSI (0.34 BAR)
AMBIENT TEMPERATURE RANGE	-20 TO 250° F -29 TO 122° C
Cv FACTOR	2.0

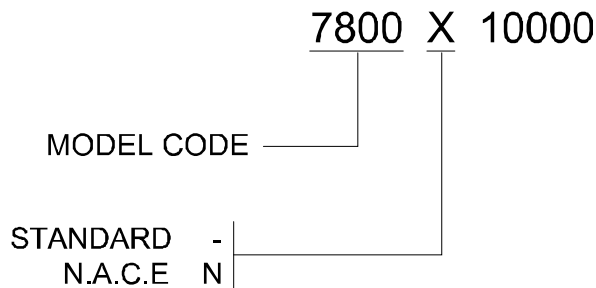
REPAIR KIT

- 78-004-000

OTHER TEMPERATURE RANGES AND SEAL COMPOUNDS AVAILABLE UPON REQUEST

CHECK VALVE

ORDERING CODE



PHONE: 504-340-0055
 FAX: 504-340-0056
 EMAIL: SALES@RUELCO.COM

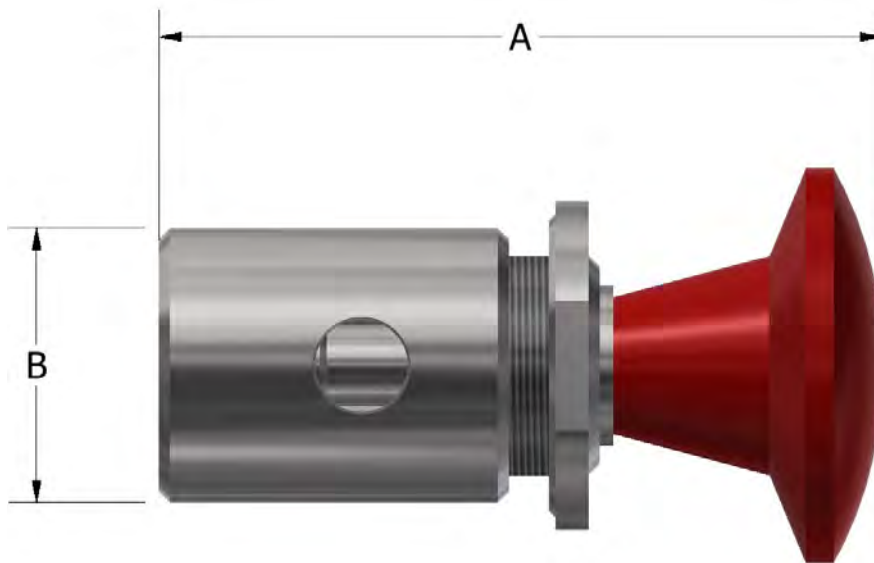
1209 DISTRIBUTORS ROW
 NEW ORLEANS, LA 70123

OPERATION

The Ruelco 2-way ESD manual valve is a normally closed valve which will open the inlet to vent when the knob is pulled. Its high flow rate and two way pull to open action make it ideal for use in manual ESD systems and other control applications that require a fast response time. The supply pressure acting on the unbalance stem maintains the valve in the closed position. This prevents vibration or small pulling forces from accidentally opening the valve. Once pulled, the valve will stay in the open position until manually closed.

FEATURES

- 316 stainless steel construction (models to N.A.C.E. MR0175 available)
- Large Cv factor assures fast system response
- May be used in pneumatic or hydraulic systems
- Viton seals are utilized for dependability
- Easily repaired without removing valve from panel
- Threaded vent port allows use of a vent screen



DIMENSIONS

A (OPEN / CLOSED)	3.75 / 3.25" (95.25 / 82.55 mm)
B	1.25" (31.8 mm)
CONNECTION PORT SIZES	1/4" FNPT
PANEL MOUNT HOLE	1.00" (25.4 mm)
MAXIMUM PANEL THICKNESS	.25" (6.4 mm)
WEIGHT	12 OZ (.340 kg)

PHONE: 504-340-0055
FAX: 504-340-0056
EMAIL: SALES@RUELCO.COM

1209 DISTRIBUTORS ROW
NEW ORLEANS, LA 70123

2-WAY ESD VALVE

PARTS LIST

ITEM	QUANTITY	DESCRIPTION	MATERIAL
1	1	RED KNOB	PHENOLIC
2	1	PANEL MOUNT NUT	316 ST. STL.
3	1	FLAT WASHER	316 ST. STL.
4*	1	STEM SEAL	FLUOROCARBON
5	1	BODY	316 ST. STL.
6	1	STEM	316 ST. STL.
7*	1	BODY SEAL	FLUOROCARBON
8	1	VENT SCREEN (OPTIONAL)	316 ST. STL.

* INDICATES ITEMS IN THE REPAIR KIT

SPECIFICATIONS

MAXIMUM WORKING PRESSURE	150 PSI (10.3 BAR)
AMBIENT TEMPERATURE RANGE	-20 TO 250° F -29 TO 122° C
Cv FACTOR	1.8

REPAIR KIT

- 11-005-000

OTHER TEMPERATURE RANGES AND SEAL COMPOUNDS AVAILABLE UPON REQUEST

2-WAY ESD VALVE

ORDERING CODE

1102 X 241 X R

BASE MODEL NUMBER

Standard Corrosive Service -- (-)
N.A.C.E. option ----- N

O --- Without Vent Screen
S --- With Vent Screen

PHONE: 504-340-0055
FAX: 504-340-0056
EMAIL: SALES@RUELCO.COM

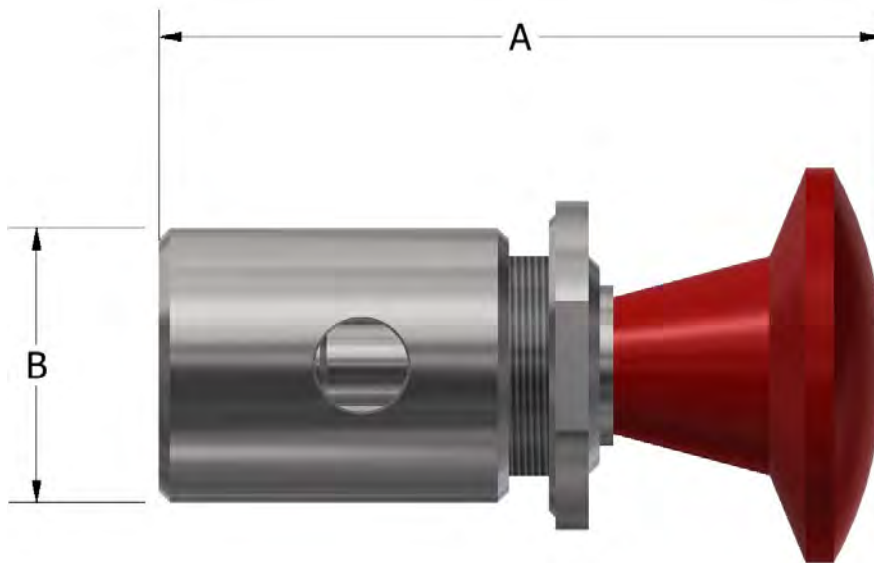
1209 DISTRIBUTORS ROW
NEW ORLEANS, LA 70123

OPERATION

The Ruelco 2-way High Pressure ESD manual valve is a normally closed valve which will open the inlet to vent when the knob is pulled. Its high flow rate and two way pull to open action make it ideal for use in manual ESD systems and other control applications that require a fast response time. The supply pressure acting on the unbalance stem maintains the valve in the closed position. This prevents vibration or small pulling forces from accidentally opening the valve. Once pulled, the valve will stay in the open position until manually closed.

FEATURES

- 316 stainless steel construction (models to N.A.C.E. MR0175 available)
- Large Cv factor assures fast system response
- Ideal for high pressure pneumatic or hydraulic systems
- O-ring seals are utilized for dependability
- Easily repaired without removing valve from panel
- Threaded vent port allows use of a vent screen



DIMENSIONS

A (OPEN / CLOSED)	3.75 / 3.25" (95.25 / 82.55 mm)
B	1.25" (31.8 mm)
CONNECTION PORT SIZES	1/4" FNPT
PANEL MOUNT HOLE	1.00" (25.4 mm)
MAXIMUM PANEL THICKNESS	.25" (6.4 mm)
WEIGHT	12 OZ (.340 kg)

PHONE: 504-340-0055
 FAX: 504-340-0056
 EMAIL: SALES@RUELCO.COM

1209 DISTRIBUTORS ROW
 NEW ORLEANS, LA 70123

2-WAY HIGH PRESSURE ESD VALVE

PARTS LIST

ITEM	QUANTITY	DESCRIPTION	MATERIAL
1	1	RED KNOB	PHENOLIC
2	1	PANEL MOUNT NUT	316 ST. STL.
3	1	FLAT WASHER	316 ST. STL.
4*	1	STEM SEAL	FLUOROCARBON
5	1	BODY	316 ST. STL.
6	1	STEM	316 ST. STL.
7*	1	BODY SEAL	URETHANE
8	1	VENT SCREEN (OPTIONAL)	316 ST. STL.

* INDICATES ITEMS IN THE REPAIR KIT

SPECIFICATIONS

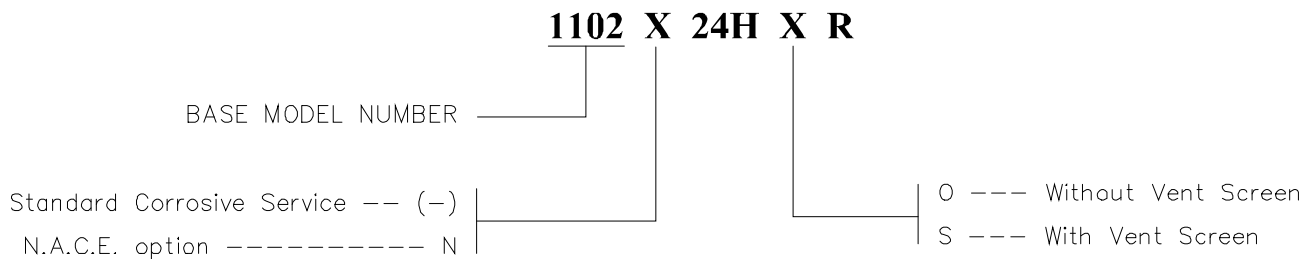
MAXIMUM WORKING PRESSURE	1,000 PSI (68.9 BAR)
AMBIENT TEMPERATURE RANGE	-20 TO 250° F -29 TO 122° C
Cv FACTOR	1.8

REPAIR KIT

- 11-005-0H0

OTHER TEMPERATURE RANGES AND SEAL COMPOUNDS AVAILABLE UPON REQUEST

ORDERING CODE



PHONE: 504-340-0055
FAX: 504-340-0056
EMAIL: SALES@RUELCO.COM

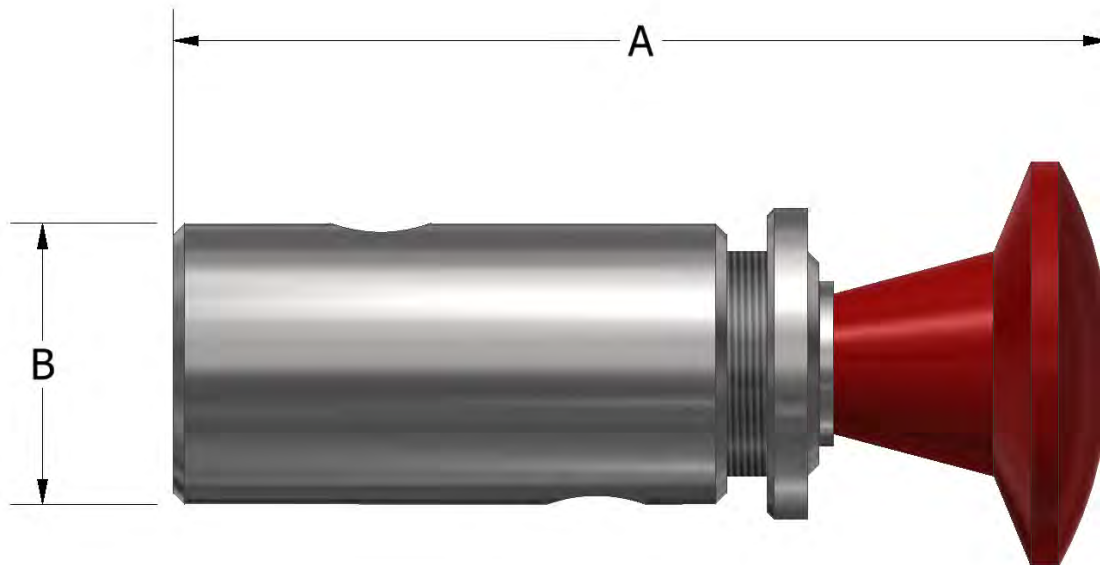
1209 DISTRIBUTORS ROW
NEW ORLEANS, LA 70123

OPERATION

The Ruelco 3-way High Pressure ESD manual valve is a normally open valve which will allow In to Out flow. When the knob is pulled, the inlet will be blocked and the outlet pressure will flow to the vent port. It's high flow rate make it ideal for use in manual ESD systems and other control applications that require a fast response time. The supply pressure acting on the unbalance stem maintains the valve in the closed position. This prevents vibration or small pulling forces from accidentally opening the valve. Once pulled, the valve will stay in the open position until manually closed.

FEATURES

- 316 stainless steel construction (models to N.A.C.E. MR0175 available)
- Large Cv factor assures fast system response
- Ideal for high pressure pneumatic or hydraulic systems
- O-ring seals are utilized for dependability
- Easy repaired without removing valve from panel
- Threaded vent port allows use of a vent screen



3-WAY ESD VALVE

DIMENSIONS

A (OPEN / CLOSED)	4.61 / 4.11" (117.1 / 104.4 mm)
B	1.25" (31.8 mm)
CONNECTION PORT SIZES	1/4" FNPT
PANEL MOUNT HOLE	1.00" (25.4 mm)
MAXIMUM PANEL THICKNESS	.25" (6.4 mm)
WEIGHT	16 OZ (.465 kg)

PHONE: 504-340-0055
FAX: 504-340-0056
EMAIL: SALES@RUELCO.COM

1209 DISTRIBUTORS ROW
NEW ORLEANS, LA 70123

PARTS LIST

ITEM	QUANTITY	DESCRIPTION	MATERIAL
1	1	RED KNOB	PHENOLIC
2	1	FLAT WASHER	316 ST. STL.
3	1	PANEL MOUNT NUT	316 ST. STL.
4*	2	STEM SEAL	FLUOROCARBON
5	1	BODY	316 ST. STL.
6	1	STEM	316 ST. STL.
7*	1	BODY SEAL	FLUOROCARBON
8	1	VENT SCREEN (OPTIONAL)	316 ST. STL.

* INDICATES ITEMS IN THE REPAIR KIT

SPECIFICATIONS

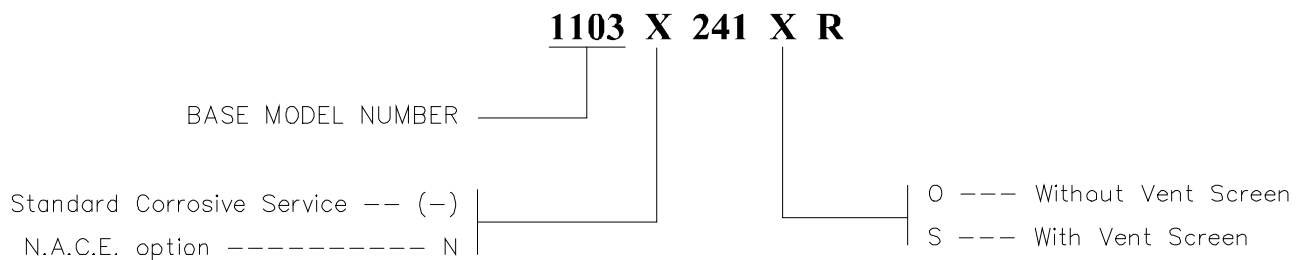
MAXIMUM WORKING PRESSURE	150 PSI (10.3 BAR)
AMBIENT TEMPERATURE RANGE	-20 TO 250° F -29 TO 122° C
Cv FACTOR	1.8

REPAIR KIT

- 11-005-3WY

OTHER TEMPERATURE RANGES AND SEAL COMPOUNDS AVAILABLE UPON REQUEST

ORDERING CODE



PHONE: 504-340-0055
 FAX: 504-340-0056
 EMAIL: SALES@RUELCO.COM

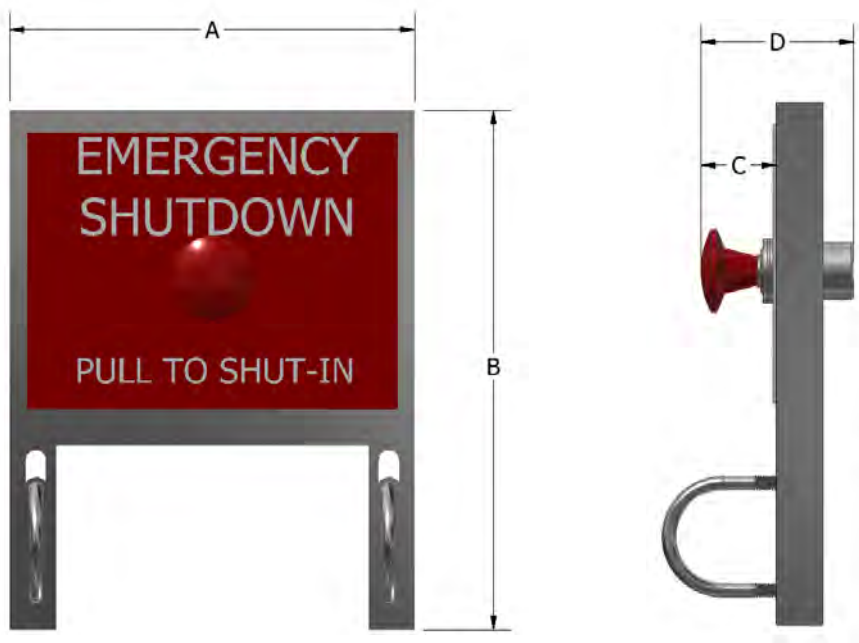
1209 DISTRIBUTORS ROW
 NEW ORLEANS, LA 70123

OPERATION

The Ruelco ESD station is a compact, highly visible ESD station. It uses the Ruelco 2-way or 3-way, high flow, manual pull valve to quickly shut down any pneumatic or hydraulic loop system. The Ruelco ESD station also uses a large red tag to increase visibility. It can be mounted in any desired location by clamping the station to any 1-1/2" diameter handrail or any 1-1/2" diameter pipe. When the manual valve is pulled open, it will stay open until it is manually pushed closed.

FEATURES

- 316 stainless steel construction (models to N.A.C.E. MR0175 available)
- Large Cv factor assures fast system response
- May be used in pneumatic or hydraulic systems
- Viton seals are utilized for dependability
- Easily repaired without removing valve from station mounting plate



DIMENSIONS

A	8.75" (222.3 mm)
B	11.25" (285.8 mm)
C (OPEN / CLOSED)	1.62 / 2.12" (41.1 / 53.8 mm)
D (2-WAY VALVE)	3.25" (82.55 mm)
D (3-WAY VALVE)	4.11" (104.4 mm)

PHONE: 504-340-0055
 FAX: 504-340-0056
 EMAIL: SALES@RUELCO.COM

1209 DISTRIBUTORS ROW
 NEW ORLEANS, LA 70123

ESD STATION

PARTS LIST

ITEM	QUANTITY	DESCRIPTION	MATERIAL
1	1	FACE PLATE	ACRYLIC
2	1	ESD VALVE	316 ST. STL.
3	2	U-BOLT	316 ST. STL.
4	4	FLAT WASHER	316 ST. STL.
5	4	HEX NUT	316 ST. STL.
6	1	SUPPORT BRACKET	316 ST. STL.

SPECIFICATIONS

MAXIMUM WORKING PRESSURE	150 PSI (10.3 BAR)
AMBIENT TEMPERATURE RANGE	-20 TO 250° F -29 TO 122° C
Cv FACTOR	1.8

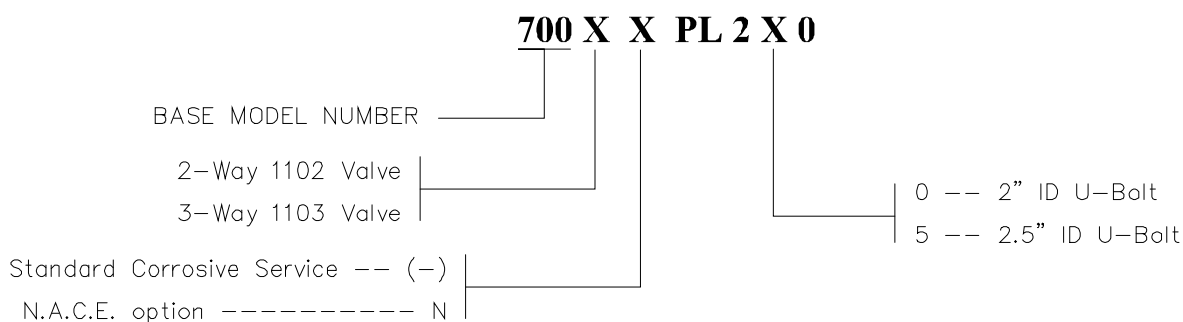
REPAIR KIT

- 11-005-000 - 2-WAY VALVE
- 11-005-3WY - 3-WAY VALVE

OTHER TEMPERATURE RANGES AND SEAL COMPOUNDS AVAILABLE UPON REQUEST

ESD STATION

ORDERING CODE



PHONE: 504-340-0055
 FAX: 504-340-0056
 EMAIL: SALES@RUELCO.COM

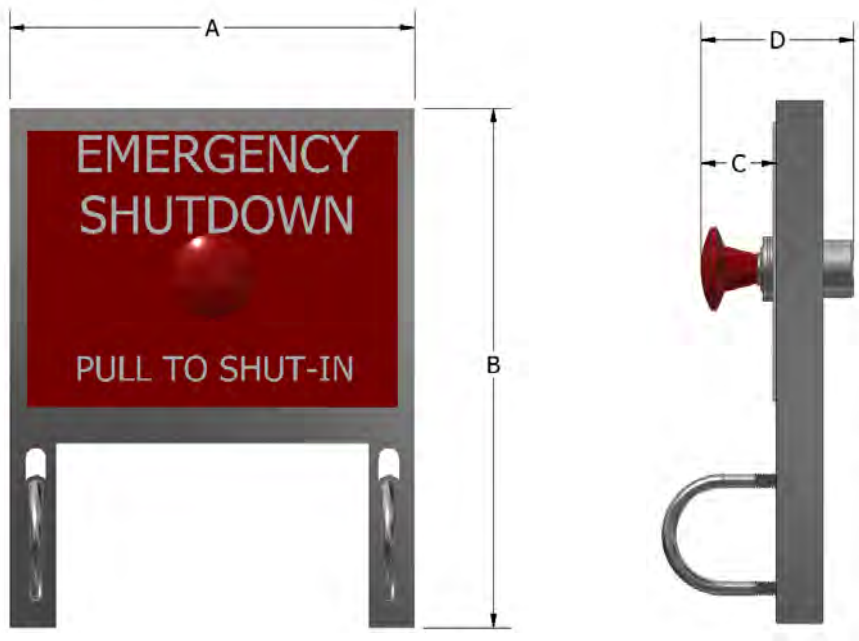
1209 DISTRIBUTORS ROW
 NEW ORLEANS, LA 70123

OPERATION

The Ruelco ESD station is a compact, highly visible ESD station. It uses the Ruelco 2-way or 3-way, high flow, manual pull valve to quickly shut down any pneumatic or hydraulic loop system. The Ruelco ESD station also uses a large red tag to increase visibility. It can be mounted in any desired location by clamping the station to any 1-1/2" diameter handrail or any 1-1/2" diameter pipe. When the manual valve is pulled open, it will stay open until it is manually pushed closed.

FEATURES

- 316 stainless steel construction (models to N.A.C.E. MR0175 available)
- Large Cv factor assures fast system response
- May be used in pneumatic or hydraulic systems
- Viton seals are utilized for dependability
- Easily repaired without removing valve from station mounting plate



DIMENSIONS

A	8.75" (222.3 mm)
B	11.25" (285.8 mm)
C (OPEN / CLOSED)	1.62 / 2.12" (41.1 / 53.8 mm)
D (2-WAY VALVE)	3.25" (82.55 mm)
D (3-WAY VALVE)	4.11" (104.4 mm)

PHONE: 504-340-0055
 FAX: 504-340-0056
 EMAIL: SALES@RUELCO.COM

1209 DISTRIBUTORS ROW
 NEW ORLEANS, LA 70123

ESD STATION

PARTS LIST

ITEM	QUANTITY	DESCRIPTION	MATERIAL
1	1	FACE PLATE	ACRYLIC
2	1	ESD VALVE	316 ST. STL.
3	2	U-BOLT	316 ST. STL.
4	4	FLAT WASHER	316 ST. STL.
5	4	HEX NUT	316 ST. STL.
6	1	SUPPORT BRACKET	316 ST. STL.

SPECIFICATIONS

MAXIMUM WORKING PRESSURE	150 PSI (10.3 BAR)
AMBIENT TEMPERATURE RANGE	-20 TO 250° F -29 TO 122° C
Cv FACTOR	1.8

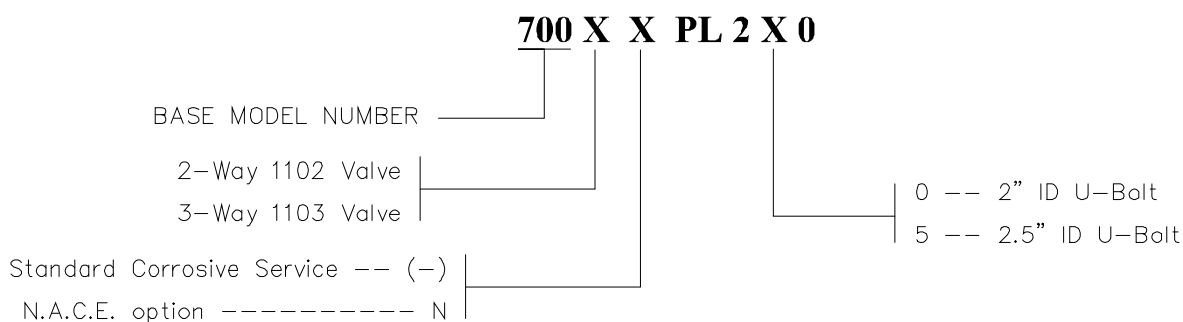
REPAIR KIT

- 11-005-000 - 2-WAY VALVE
- 11-005-3WY - 3-WAY VALVE

OTHER TEMPERATURE RANGES AND SEAL COMPOUNDS AVAILABLE UPON REQUEST

ESD STATION

ORDERING CODE



PHONE: 504-340-0055
 FAX: 504-340-0056
 EMAIL: SALES@RUELCO.COM

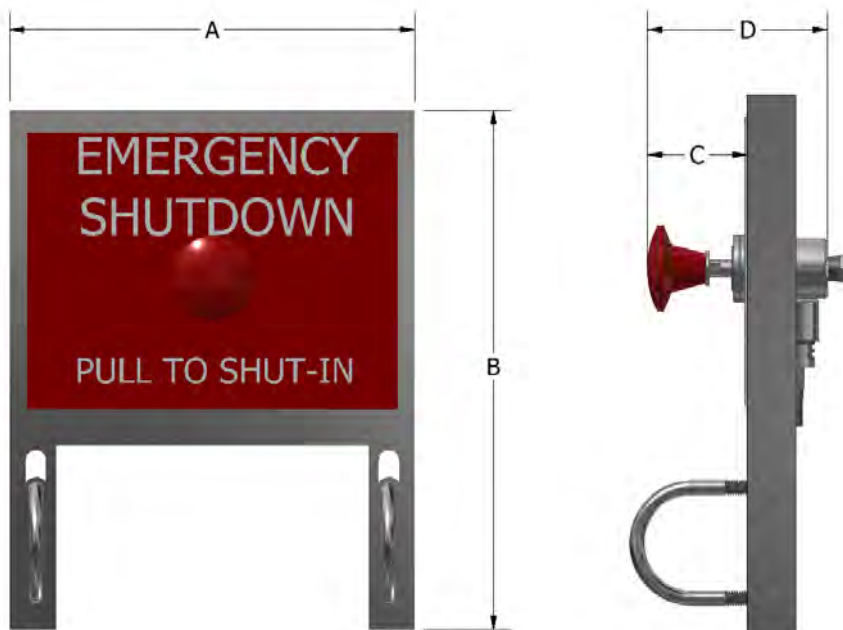
1209 DISTRIBUTORS ROW
 NEW ORLEANS, LA 70123

OPERATION

The Ruelco Electric ESD station is a compact, highly visible ESD station. It uses the Ruelco ESD valve with a dry connect, snap acting electrical switch to quickly and effectively break or close a control loop. The Ruelco ESD station also uses a large red tag to increase visibility. It can be mounted in any desired location by clamping the station to any 1-1/2" diameter handrail or any 1-1/2" diameter pipe. When the manual valve is pulled open, it will stay open until it is manually pushed closed.

FEATURES

- 316 stainless steel construction (models to N.A.C.E. MR0175 available)
- SDPT or DPDT Switch
- Uses hermitically sealed, snap actin dry contact, explosion proof U.L. rated switch
- Easily repaired without removing valve from station mounting plate



DIMENSIONS

A	8.75" (222.3 mm)
B	11.25" (285.8 mm)
C (OPEN / CLOSED)	1.62 / 2.12" (41.1 / 53.8 mm)
D	3.25" (82.55 mm)
ELECTRIC CONNECTION	1/2" MNPT

PHONE: 504-340-0055
 FAX: 504-340-0056
 EMAIL: SALES@RUELCO.COM

1209 DISTRIBUTORS ROW
 NEW ORLEANS, LA 70123

ELECTRIC ESD STATION

ELECTRICAL OPERATION

LEAD	COLOR	RISING LEVEL	FALLING LEVEL
NO / NO2	BLUE / PURPLE	CLOSES	OPENS
NC / NC2	RED / BLACK	OPENS	CLOSES
C / C2	BROWN / YELLOW	COMMON LEADS	
GND	GREEN	GROUND	

ELECTRICAL SPECIFICATIONS

SPDT & DPDT SWITCH MAXIMUM VOLTAGE	250 VAC 28 VDC
SPDT & DPDT SWITCH AMPS @ MAXIMUM VOLTAGE	5 AMPS
AMBIENT TEMPERATURE RANGE	-20 TO 158° F

ELECTRICAL CERTIFICATIONS

UNDERWRITERS LABORATORIES	CLASS I, GROUPS A,B,C,D
UNDERWRITERS LABORATORIES	CLASS II, GROUPS E,F,G
ATEX	Ex d IIC

ELECTRIC ESD STATION

PHONE: 504-340-0055
 FAX: 504-340-0056
 EMAIL: SALES@RUELCO.COM

1209 DISTRIBUTORS ROW
 NEW ORLEANS, LA 70123

PARTS LIST

ITEM	QUANTITY	DESCRIPTION	MATERIAL
1	1	FACE PLATE	ACRYLIC
2	1	ESD VALVE	316 ST. STL.
3A	1	SPDT SWITCH	ST. STL.
3B	-	DPDT SWITCH	ST. STL.
4	1	VENT SCREEN	316 ST. STL.
5	2	U-BOLT	316 ST. STL.
6	4	FLAT WASHER	316 ST. STL.
7	4	HEX NUT	316 ST. STL.
8	1	SUPPORT BRACKET	316 ST. STL.

SPECIFICATIONS

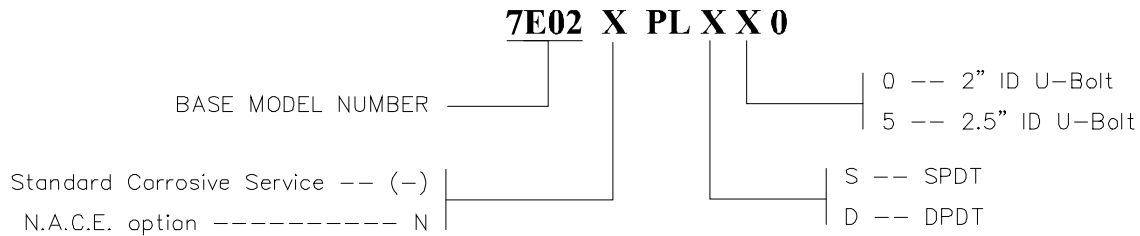
AMBIENT TEMPERATURE RANGE	-20 TO 250° F -29 TO 122° C
---------------------------	--------------------------------

REPAIR KIT

- 11-005-000
- OTHER TEMPERATURE RANGES AND SEAL COMPOUNDS AVAILABLE UPON REQUEST

ELECTRIC ESD STATION

ORDERING CODE

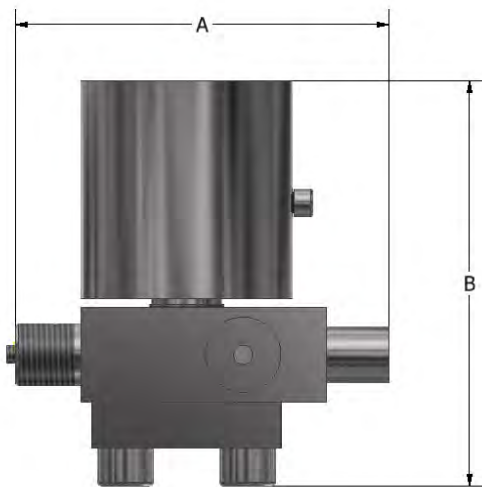


PHONE: 504-340-0055
FAX: 504-340-0056
EMAIL: SALES@RUELCO.COM

1209 DISTRIBUTORS ROW
NEW ORLEANS, LA 70123

OPERATION

The Ruelco FV-1 is a multi-function control valve. It is designed to remove the hydraulic signal to a surface controlled subsurface safety valve in the event of a fire and stop any well fluid returns due to packing leaks in the SCSSV. The FV-1 also acts as B.O.P. and provides protection from well fluid returns through the control line during normal operating conditions. The FV-1 operates as a fire safety and its operation as B.O.P. are completely independent of each other. When a fire activates the FV-1, it blocks and bleeds the hydraulic pressure going to SCSSV allowing it to close. After a fixed elapsed time the FV-1 will close off any further returns from the SCSSV. When operating as B.O.P. the FV-1 will allow returns from the hydraulic control line for the same elapsed time as if exposed to a fire and then it will block any further flow from the SCSSV, thus minimizing any well fluids from flowing back to the hydraulic control system.



FEATURES

- Rugged and compact design
- Stainless steel construction
- B.O.P. function prevents hazards due to SCSSV packing leaks under normal and fire operating conditions
- Block and bleed operation closes SCSSV automatically under fire conditions
- Metal to metal valve seats
- B.O.P. function independent of fire activated operation
- Field repairable



DIMENSIONS

A	5.00" (127 mm)
B	5.60" (142.2 mm)
C	2.80" (71.1 mm)
OUTLET PORT	1/2" MNPT
INLET PORT	1/4" FNPT
WEIGHT	7.1 LBS (3.2 KG)

PHONE: 504-340-0055
 FAX: 504-340-0056
 EMAIL: SALES@RUELCO.COM

1209 DISTRIBUTORS ROW
 NEW ORLEANS, LA 70123

FV-1 FIRE SAFETY VALVE

PARTS LIST

ITEM	QUANTITY	DESCRIPTION	MATERIAL
1	1	TIMER BODY CAP	316 ST. STL.
2	1	TIMER BODY	17-4 PH ST. STL.
3*	1	TIMER BODY CAP SEAL	FLUOROCARBON
4	2	TIMER SPRING	INCONEL X-750
5	1	FLOW CONTROL SPRING	INCONEL X-750
6	1	FLOW CONTROL STEM	316 ST. STL.
7*	1	FLOW CONTROL SEAL	FLUOROCARBON
8*	1	TIMER SPOOL MIDDLE BACKUP	TEFLON
9*	1	TIMER SPOOL MIDDLE SEAL	FLUOROCARBON
10	1	SPRING GUIDE LOCK SCREW	316 ST. STL.
11	1	SHUT OFF VALVE SPRING GUIDE	INCONEL X-750
12	1	SHUT OFF VALVE SPRING	316 ST. STL.
13	1	SHUT OFF VALVE POPPET	316 ST. STL.
14	2	CROSSOVER PLATE BOLT	316 ST. STL.
15*	1	CROSSOVER PLATE SEAL	FLUOROCARBON
16*	1	TIMER SPOOL LOWER SEAL	FLUOROCARBON
17	1	CROSSOVER PLATE	316 ST. STL.
18*	1	TIMER SPOOL UPPER SEAL	FLUOROCARBON
19*	1	TIMER SPOOL UPPER SEAL	TEFLON
20	1	TIMER ORIFICE	316 ST. STL.
21*	1	TIMER ORIFICE SEAL	FLUOROCARBON
22	1	OIL FILL PORT SCREW	316 ST. STL.
23*	1	OIL FILL PORT SEAL	FLUOROCARBON
24*	1	TIMER SPOOL OIL SEAL	TEFLON
25	1	TIMER SPOOL	316 ST. STL.
26	1	INLET FITTING	17-4 PH ST. STL.
27*	1	INLET FITTING SEAL	FLUOROCARBON
28	1	BODY	316 ST. STL.
29	1	BLOCK AND BLEED VALVE POPPET	316 ST. STL.

FV-1 FIRE SAFETY VALVE

PHONE: 504-340-0055
 FAX: 504-340-0056

1209 DISTRIBUTORS ROW
 NEW ORLEANS, LA 70123

PARTS CONT.

30*	1	TIMER BODY SEAL	FLUOROCARBON
31	1	BLOCK AND BLEED EUTECTIC PLUG	EUTECTIC
32	1	BLOCK AND BLEED CAP	316 ST. STL.
33	1	BLOCK AND BLEED PISTON	316 ST. STL.
34	1	BLOCK AND BLEED STEM	17-4 PH ST. STL.
35*	1	BLOCK AND BLEED STEM UPPER BACKUP	TEFLON
36*	1	BLOCK AND BLEED STEM UPPER SEAL	FLUOROCARBON
37*	1	BLOCK AND BLEED STEM LOWER BACKUP	TEFLON
38*	1	BLOCK AND BLEED STEM LOWER SEAL	FLUOROCARBON
39	1	LOCK OPEN EUTECTIC	EUTECTIC
40*	4 OZ.	TIMER OIL	PETROLEUM BASE
41	1	ADJUSTMENT NUT	316 ST. STL.

* INDICATES ITEMS IN THE REPAIR KIT

SPECIFICATIONS

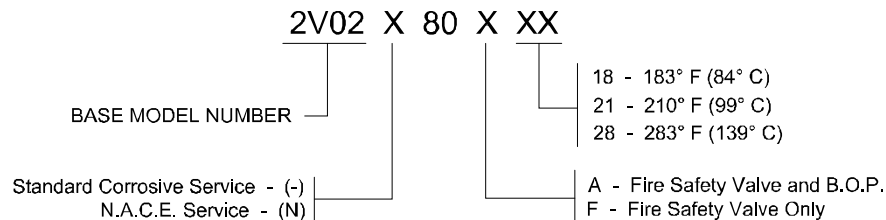
MAXIMUM WORKING PRESSURE	10,000 PSI (690 BAR)
MINIMUM WORKING PRESSURE	1,000 PSI (69 BAR)
B.O.P. RESPONSE TIME	6 MIN @ 72°F (22°C) 1 MIN @ 300° (149°C)
AMBIENT OPERATING TEMPERATURE RANGE	-20° to 250°F -29° to 121°C
Cv NORMAL OPERATION	.063
Cv FIRE ACTIVATED	.097

REPAIR KIT

- 2V-018-000

OTHER TEMPERATURE RANGES
AND SEAL COMPOUNDS AVAILABLE
UPON REQUEST

ORDERING CODE



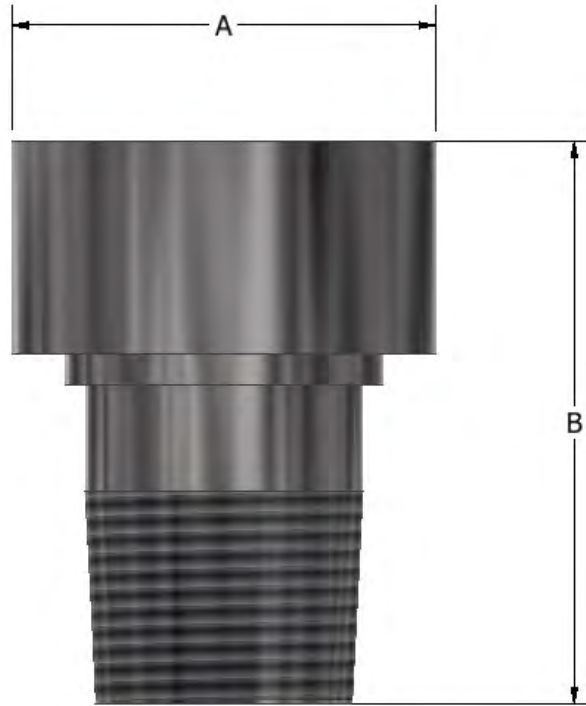
PHONE: 504-340-0055
FAX: 504-340-0056
EMAIL: SALES@RUELCO.COM

1209 DISTRIBUTORS ROW
NEW ORLEANS, LA 70123

FV-1 FIRE SAFETY VALVE

OPERATION

The Ruelco FA-I Flame Arrestor provides protection for the enclosure or the tank contents in case of fire or any possible ignition source. Under normal conditions, the cover prevents rain, dust or other contaminants from entering the enclosure or tank. In the event of a fire, the eutectic material holding the flame arrestor open will melt and the cap will prevent oxygen from reaching the oil tank or enclosure.



FLAME ARRESTOR

DIMENSIONS

	A	B
3/4" NPT	2.00" (50.8 mm)	2.30" (58.4 mm)
1" NPT	2.00" (50.8 mm)	2.65" (67.3 mm)

SPECIFICATIONS

	FLOW RATE (OPEN)	PRESSURE AT MAXIMUM FLOW
3/4" NPT	20 SCFM	5.5 PSI (.38 BAR)
1" NPT	22 SCFM	7.5 PSI (.52 BAR)

PHONE: 504-340-0055
FAX: 504-340-0056
EMAIL: SALES@RUELCO.COM

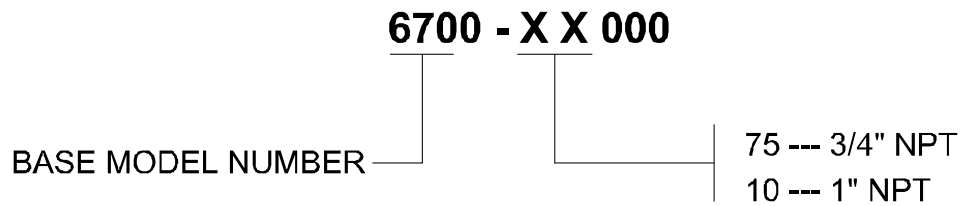
1209 DISTRIBUTORS ROW
NEW ORLEANS, LA 70123

PARTS LIST

ITEM	QUANTITY	DESCRIPTION	MATERIAL
1	1	COVER	316 ST. STL.
2	1	EUTECTIC	DELRIN
3	1	CAP	316 ST. STL.
4	1	SPRING	INCONEL
5	1	WASHER	316 ST. STL.
6	1	BOLT	316 ST. STL.
7	1	BODY	316 ST. STL.

FLAME ARRESTOR

ORDERING CODE

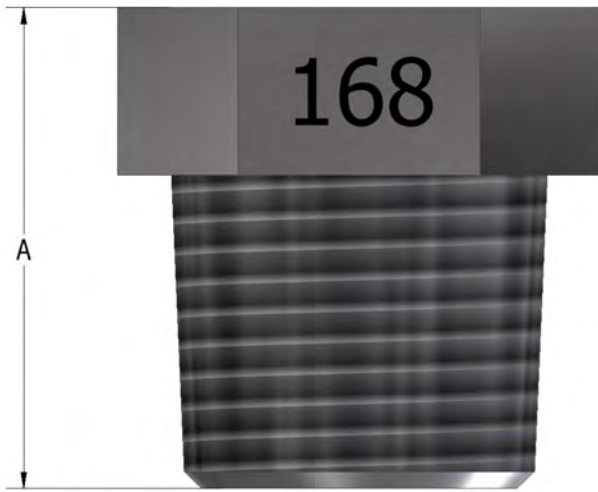


PHONE: 504-340-0055
 FAX: 504-340-0056
 EMAIL: SALES@RUELCO.COM

1209 DISTRIBUTORS ROW
 NEW ORLEANS, LA 70123

OPERATION

The Ruelco Fuse Plug is a heat sensitive device designed to vent control pressure at a predetermined temperature. Ruelco fuse plugs are manufactured using a process that assures a leak free operation, and all fuse plugs are 100% tested. The sensing temperature of the fusible material is marked clearly on each fuse plug to assure proper identification.



FEATURES

- 316 stainless steel construction (models to N.A.C.E. MR0175 available)
- Leak free seal
- Large Cv factors produce large flow rates
- Small compact design
- Exotic materials available
- Wide range of available melting temperatures

HIGH FLOW FUSE PLUG

DIMENSIONS / SPECIFICATIONS

SIZE	A	ORIFICE DIAMETER	MAXIMUM PRESSURE	INSTALL TORQUE
1/8" NPT	.550" (14 mm)	.187" (4.75 mm)	200 PSI (13.8 BAR)	196 IN LBS
1/4" NPT	.770" (19.6 mm)	.281" (7.14 mm)	200 PSI (13.8 BAR)	256 IN LBS
3/8" NPT	.860" (21.8 mm)	.375" (9.52 mm)	200 PSI (13.8 BAR)	358 IN LBS
1/2" NPT	1.10" (27.9 mm)	.438" (11.13 mm)	200 PSI (13.8 BAR)	682 IN LBS

ORDERING CODE

2102 - XX XXX

1/8" MNPT --- 12
 1/4" MNPT --- 25
 3/8" MNPT --- 37
 1/2" MNPT --- 50

158 --- 158° F Temp.
 168 --- 168° F Temp.
 183 --- 183° F Temp.
 210 --- 210° F Temp.
 255 --- 255° F Temp.
 283 --- 283° F Temp.
 361 --- 361° F Temp.

PHONE: 504-340-0055
 FAX: 504-340-0056
 EMAIL: SALES@RUELCO.COM

1209 DISTRIBUTORS ROW
 NEW ORLEANS, LA 70123

OPERATION

The Ruelco Fuse Plug is a heat sensitive device designed to vent control pressure at a predetermined temperature. Ruelco fuse plugs are manufactured using a process that assures a leak free operation, and all fuse plugs are 100% tested. The sensing temperature of the fusible material is marked clearly on each fuse plug to assure proper identification.



FEATURES

- 316 stainless steel construction (models to N.A.C.E. MR0175 available)
- Leak free seal
- Large Cv factors produce large flow rates
- Small compact design
- Exotic materials available
- Wide range of available melting temperatures

FUSE PLUG

DIMENSIONS / SPECIFICATIONS

SIZE	A	ORIFICE DIAMETER	MAXIMUM PRESSURE	INSTALL TORQUE
1/8" NPT	.550" (14 mm)	.186" (4.72 mm)	500 PSI (34.5 BAR)	196 IN LBS
1/4" NPT	.770" (19.6 mm)	.186" (4.72 mm)	500 PSI (34.5 BAR)	256 IN LBS
3/8" NPT	.860" (21.8 mm)	.186" (4.72 mm)	500 PSI (34.5 BAR)	358 IN LBS
1/2" NPT	1.10" (27.9 mm)	.186" (4.72 mm)	500 PSI (34.5 BAR)	682 IN LBS

ORDERING

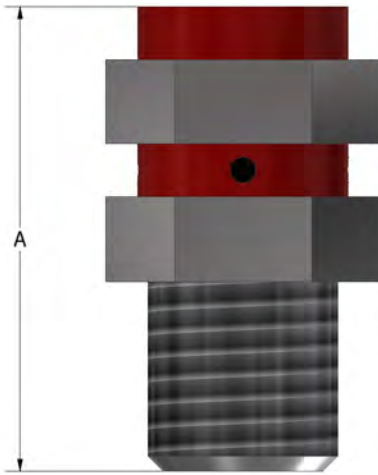
		2101 - XX	XXX	
1/8" MNPT	---	12		158 --- 158° F Temp.
1/4" MNPT	---	25		168 --- 168° F Temp.
3/8" MNPT	---	37		183 --- 183° F Temp.
1/2" MNPT	---	50		210 --- 210° F Temp.
				255 --- 255° F Temp.
				283 --- 283° F Temp.
				361 --- 361° F Temp.

PHONE: 504-340-0055
 FAX: 504-340-0056
 EMAIL: SALES@RUELCO.COM

1209 DISTRIBUTORS ROW
 NEW ORLEANS, LA 70123

OPERATION

The Ruelco Fuse Plug is a heat sensitive device designed to vent control pressure at a predetermined temperature of 450 F. Ruelco fuse plugs are manufactured using a process that assures a leak free operation, and all fuse plugs are 100% tested. The sensing temperature of the fusible material is marked clearly on each fuse plug to assure proper identification.



FEATURES

- 316 stainless steel construction (models to N.A.C.E. MR0175 available)
- Leak free seal
- Large Cv factors produce large flow rates
- Small compact design
- Exotic materials available

DIMENSIONS / SPECIFICATIONS

SIZE	A	ORIFICE DIAMETER	MAXIMUM PRESSURE	INSTALL TORQUE
1/4" NPT	1.10" (27.9 mm)	.186" (4.72 mm)	6,000 PSI (414 BAR)	256 IN LBS
3/8" NPT	1.275" (32.4 mm)	.186" (4.72 mm)	6,000 PSI (414 BAR)	358 IN LBS
1/2" NPT	1.456" (36.9 mm)	.186" (4.72 mm)	6,000 PSI (414 BAR)	682 IN LBS

ORDERING CODE

2103 - XX 450

1/4" MNPT --- 25
 3/8" MNPT --- 37
 1/2" MNPT --- 50

PHONE: 504-340-0055
 FAX: 504-340-0056
 EMAIL: SALES@RUELCO.COM

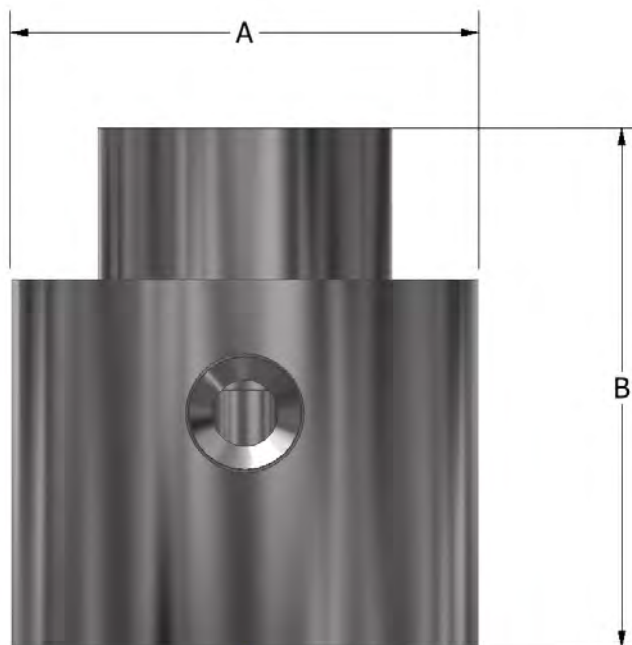
1209 DISTRIBUTORS ROW
 NEW ORLEANS, LA 70123

OPERATION

The Ruelco Low Pressure Fuse Valve is a 2-way, bleed temperature control valve used for production control and safety systems. It functions as a normally closed, fire protection valve in system with pressures as high as 500 psi. When the specific eutectic temperature is reached, the spool will shift upward and quickly vent the pressure in the pneumatic or hydraulic control circuit. The threaded vent port allows for the capture of this fluid to prevent further damage to the environment.

FEATURES

- 316 Stainless steel construction
- 1/4" NPT port connections
- High temperature Fluorocarbon seals
- Large Cv factor assures fast system response
- Small compact design



DIMENSIONS

A	1.75" (50.8 mm)
B	2.00" (44.45 mm)
PORTS	1/4" FNPT
WEIGHT	1.01 LBS (.46 KG)

LOW PRESSURE FUSE VALVE

PHONE: 504-340-0055
FAX: 504-340-0056
EMAIL: SALES@RUELCO.COM

1209 DISTRIBUTORS ROW
NEW ORLEANS, LA 70123

PARTS LIST

ITEM	QUANTITY	DESCRIPTION	MATERIAL
1	1	SNAP RING	ST. STL.
2	1	RETAINER	316 ST. STL.
3	1	TEMPERATURE EUTECTIC	EUTECTIC
4	1	SPOOL	316 ST. STL.
5	1	SPOOL SEAL	FLUOROCARBON
6	1	PISTON SEAL	FLUOROCARBON
7	1	BODY	316 ST. STL.

* INDICATES ITEMS IN THE REPAIR KIT

SPECIFICATIONS

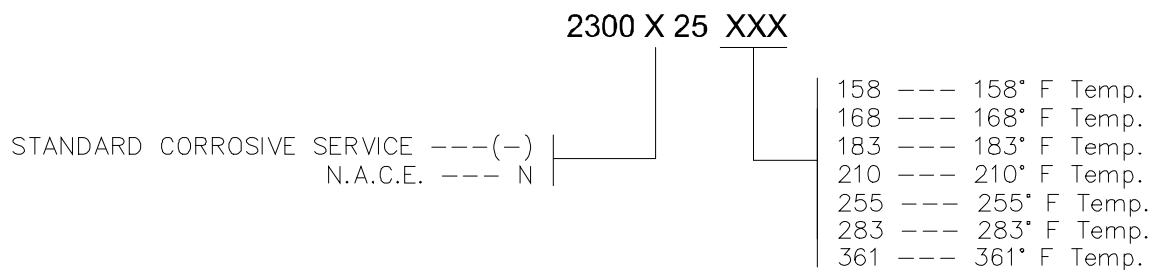
MAXIMUM WORKING PRESSURE	500 PSI (8.27 BAR)
AMBIENT TEMPERATURE RANGE	-20 TO 375° F -29 TO 190° C
Cv FACTOR	.75

REPAIR KIT

- 23-005-XXX (SPECIFIES TEMPERATURE RANGE)

OTHER TEMPERATURE RANGES AND SEAL COMPOUNDS AVAILABLE UPON REQUEST

ORDERING CODE



LOW PRESSURE FUSE VALVE

PHONE: 504-340-0055
 FAX: 504-340-0056
 EMAIL: SALES@RUELCO.COM

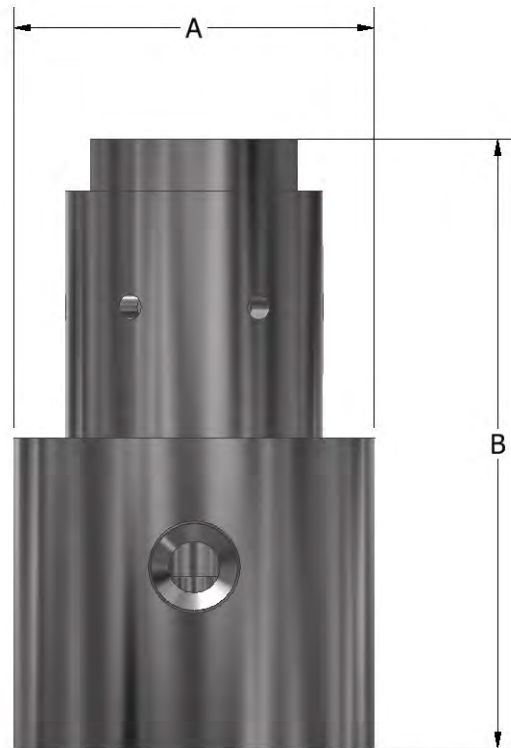
1209 DISTRIBUTORS ROW
 NEW ORLEANS, LA 70123

OPERATION

The Ruelco High Pressure Fuse Valve is a 2-way, bleed temperature control valve used for production control and safety systems. It functions as a normally closed, fire protection valve in system with pressures as high as 10,000 psi. When the specific eutectic temperature is reached, the spool will shift upward and quickly vent the pressure in the pneumatic or hydraulic control circuit. The threaded vent port allows for the capture of this fluid to prevent further damage to the environment.

FEATURES

- 316 Stainless steel construction
- 1/4" NPT port connections
- High temperature Fluorocarbon seals
- Large Cv factor assures fast system response
- Small compact design



DIMENSIONS

A	1.75" (50.8 mm)
B	3.00" (76.2 mm)
PORTS	1/4" FNPT
WEIGHT	1.75 LBS (.80 KG)

PHONE: 504-340-0055
FAX: 504-340-0056
EMAIL: SALES@RUELCO.COM

1209 DISTRIBUTORS ROW
NEW ORLEANS, LA 70123

HIGH PRESSURE FUSE VALVE

PARTS LIST

ITEM	QUANTITY	DESCRIPTION	MATERIAL
1	1	CAP	316 ST. STL.
2	1	BALLS	316 ST. STL.
3	1	EUTECTIC	EUTECTIC
4	1	SPOOL	316 ST. STL.
5	1	SPOOL SEAL	FLUOROCARBON
6	1	PISTON SEAL	FLUOROCARBON
7	1	PISTON BACKUP	TEFLON
8	1	BODY	316 ST. STL.

* INDICATES ITEMS IN THE REPAIR KIT

SPECIFICATIONS

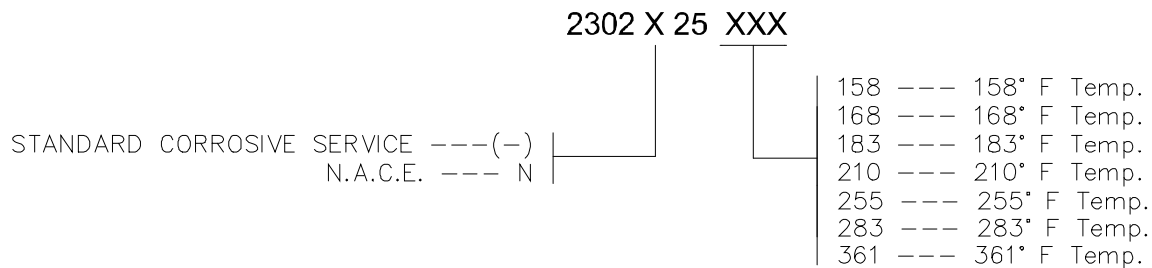
MAXIMUM WORKING PRESSURE	10,000 PSI (690 BAR)
AMBIENT TEMPERATURE RANGE	-20 TO 375° F -29 TO 190° C
Cv FACTOR	.75

REPAIR KIT

- 23-104-XXX (SPECIFIES TEMPERATURE RANGE)

OTHER TEMPERATURE RANGES AND SEAL COMPOUNDS AVAILABLE UPON REQUEST

ORDERING CODE



PHONE: 504-340-0055
 FAX: 504-340-0056
 EMAIL: SALES@RUELCO.COM

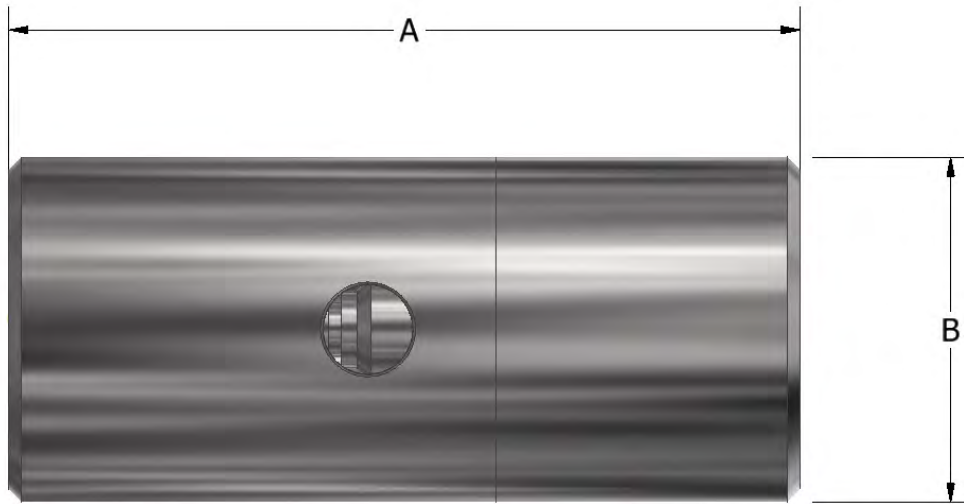
1209 DISTRIBUTORS ROW
 NEW ORLEANS, LA 70123

OPERATION

The Ruelco RQ-1 Hydraulic Quick Exhaust is designed to rapidly bleed the control pressure from an actuator or other hydraulic device. It is typically used on safety valves, control valves or other devices that must respond quickly when the control signals are removed. Its in-line design and three part construction make the quick exhaust easy to install and maintain. No special tools are needed for repair and assembly. The Ruelco RQ-1 will improve equipment operation and reduce maintenance time.

FEATURES

- Stainless steel construction
- 1/4" NPT port connections
- Durable polyurethane seal
- Large Cv factor assures fast system response
- Small compact design



DIMENSIONS

A	3.75" 95 mm)
B	1.62" (41.1 mm)
PORTS	1/4" FNPT
WEIGHT	3.3 LBS (1.5 KG)

PHONE: 504-340-0055
 FAX: 504-340-0056
 EMAIL: SALES@RUELCO.COM

1209 DISTRIBUTORS ROW
 NEW ORLEANS, LA 70123

PARTS LIST

ITEM	QUANTITY	DESCRIPTION	MATERIAL
1	1	CAP	316 ST. STL.
2*	1	BODY-O RING	NITRILE
3*	1	PISTON O-RING	NITRILE
4*	1	SEAT O-RING	NITRILE
5	1	BALL	TUNGSTEN CARBIDE
6	1	SPRING	INCONEL X-750
7	1	SPOOL ASSEMBLY	316/17-4 ST. STL.
8	1	BODY	316 ST. STL.
9*	1	SPOOL O-RING	NITRILE
10	1	SEAT	316 ST. STL.
11*	2	BACK-UP RING	TEFLON
12	1	RETAINER RING	316 ST. STL.

* INDICATES ITEMS IN THE REPAIR KIT

SPECIFICATIONS

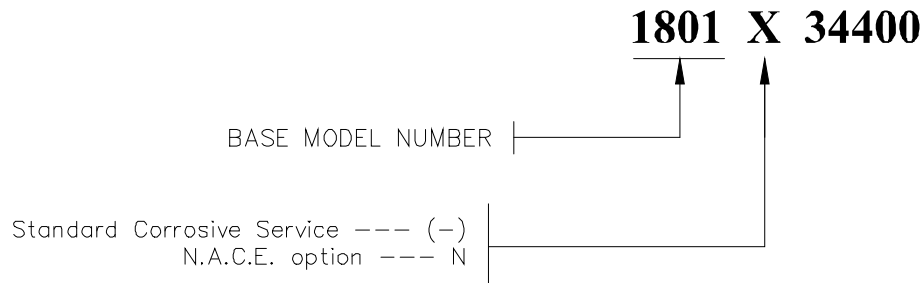
MAXIMUM WORKING PRESSURE	6,000 PSI (414 BAR)
INLET CHECK OPENING PRESSURE	45 PSI (3.1 BAR)
AMBIENT TEMPERATURE RANGE	-20 TO 250° F -29 TO 122° C
Cv FACTOR (IN)	.237
Cv FACTOR (BLEED)	.91

REPAIR KIT

- 18-007-000

OTHER TEMPERATURE RANGES AND SEAL COMPOUNDS AVAILABLE UPON REQUEST

ORDERING CODE



PHONE: 504-340-0055
 FAX: 504-340-0056
 EMAIL: SALES@RUELCO.COM

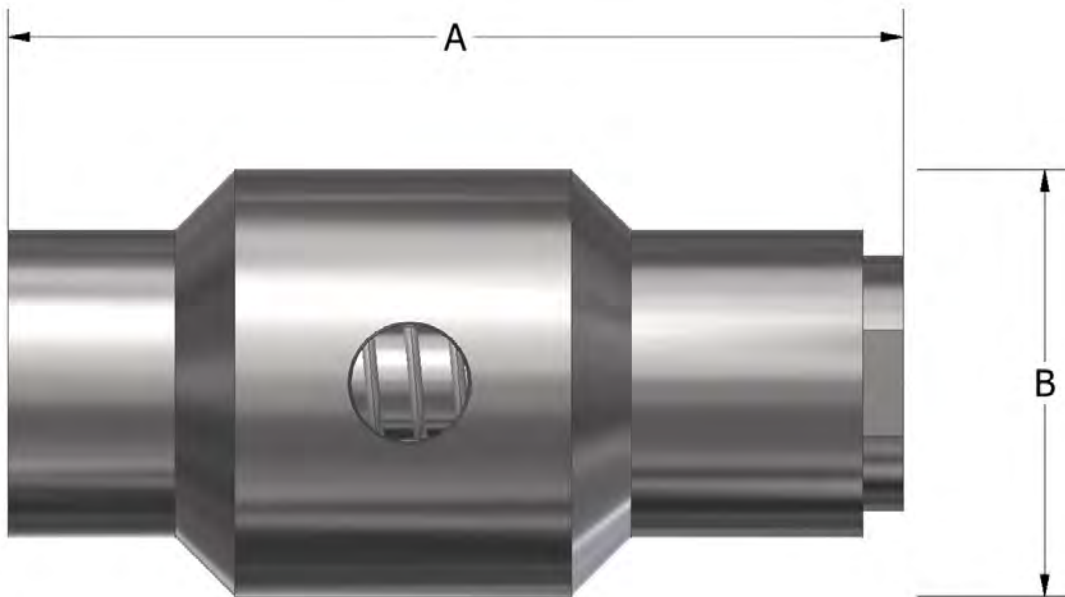
1209 DISTRIBUTORS ROW
 NEW ORLEANS, LA 70123

OPERATION

The Ruelco RQ-2 Hydraulic Quick Exhaust is designed to rapidly bleed the control pressure from an actuator or other hydraulic device. It is typically used on safety valves, control valves or other devices that must respond quickly when the control signals are removed. Its in-line design and three part construction make the quick exhaust easy to install and maintain. No special tools are needed for repair and assembly. The Ruelco RQ-2 will improve equipment operation and reduce maintenance time.

FEATURES

- Stainless steel construction
- 1/2" NPT port connections
- Durable polyurethane seal
- Large Cv factor assures fast system response



DIMENSIONS

A	5.25" (134 mm)
B	2.50" (63.5 mm)
PORTS	1/2" FNPT
WEIGHT	5.5 LBS (2.5 KG)

RQ-2 HYDRAULIC QUICK EXHAUST

PHONE: 504-340-0055
FAX: 504-340-0056
EMAIL: SALES@RUELCO.COM

1209 DISTRIBUTORS ROW
NEW ORLEANS, LA 70123

PARTS LIST

ITEM	QUANTITY	DESCRIPTION	MATERIAL
1	1	CAP	17-4 PH ST. STL.
2*	1	BODY O-RING	NITRILE
3*	1	SEAT O-RING	NITRILE
4*	1	PISTON O-RING	NITRILE
5*	1	BALL	TUNGSTEN CARBIDE
6	1	SPRING	316 ST. STL.
7	1	SPOOL ASSEMBLY	17-4 PH ST. STL.
8	1	BODY	17-4 PH ST. STL.
9*	1	SPOOL O-RING	NITRILE
10	1	LARGE SPRING	316 ST. STL.
11*	2	BACK-UP RING	PTFE
12	1	SEAT	316 ST. STL.

* INDICATES ITEMS IN THE REPAIR KIT

SPECIFICATIONS

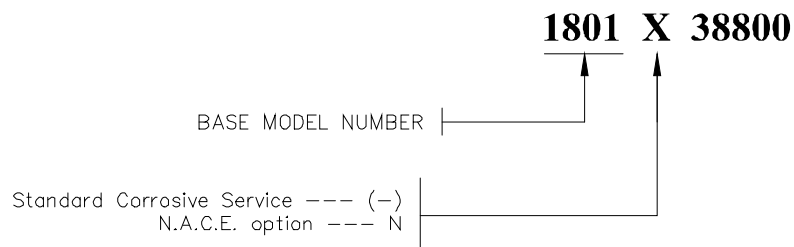
MAXIMUM WORKING PRESSURE	10,000 PSI (690 BAR)
INLET CHECK OPENING PRESSURE	45 PSI (3.1 BAR)
AMBIENT TEMPERATURE RANGE	-20 TO 250° F
	-29 TO 122° C
Cv FACTOR (IN)	1.0
Cv FACTOR (BLEED)	4.82

REPAIR KIT

- 18-008-000

OTHER TEMPERATURE RANGES AND SEAL COMPOUNDS AVAILABLE UPON REQUEST

ORDERING CODE



PHONE: 504-340-0055
 FAX: 504-340-0056
 EMAIL: SALES@RUELCO.COM

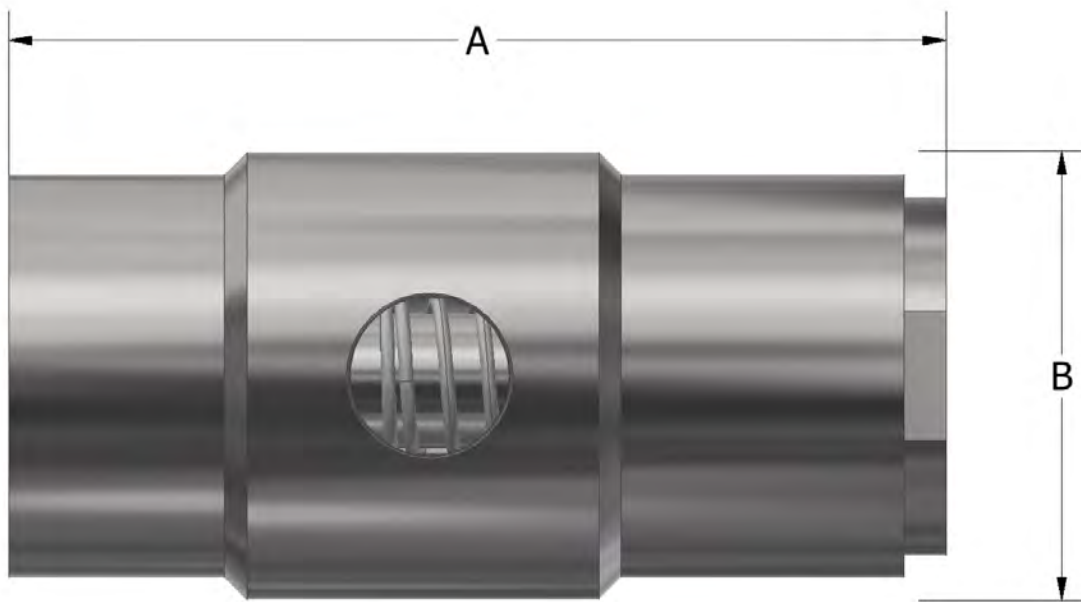
1209 DISTRIBUTORS ROW
 NEW ORLEANS, LA 70123

OPERATION

The Ruelco 3/4" npt Hydraulic Quick Exhaust is designed to rapidly bleed the control pressure from an actuator or other hydraulic device. It is typically used on safety valves, control valves or other devices that must respond quickly when the control signs are removed. Its in-line design and three part construction make the quick exhaust easy to install and maintain. No special tools are needed for repair and assembly. The Ruelco RQ-2 will improve equipment operation and reduce maintenance time.

FEATURES

- Stainless steel construction
- 3/4" NPT port connections
- Durable polyurethane seal
- Large Cv factor assures fast system response



DIMENSIONS

A	5.25" (134 mm)
B	2.50" (63.5 mm)
PORTS	3/4" FNPT
WEIGHT	6.0 LBS (2.72 KG)

3/4" NPT HYDRAULIC QUICK EXHAUST

PHONE: 504-340-0055
FAX: 504-340-0056
EMAIL: SALES@RUELCO.COM

1209 DISTRIBUTORS ROW
NEW ORLEANS, LA 70123

PARTS LIST

ITEM	QUANTITY	DESCRIPTION	MATERIAL
1	1	CAP	316 ST. STL.
2*	1	BODY O-RING	NITRILE
3*	1	SEAT O-RING	NITRILE
4*	1	PISTON O-RING	NITRILE
5*	1	BALL	TUNGSTEN CARBIDE
6	1	SPRING	316 ST. STL.
7	1	SPOOL ASSEMBLY	17-4 PH ST. STL.
8	1	BODY	316 ST. STL.
9*	1	SPOOL O-RING	NITRILE
10	1	LARGE SPRING	316 ST. STL.
11*	2	BACK-UP RING	PTFE
12	1	SEAT	316 ST. STL.

* INDICATES ITEMS IN THE REPAIR KIT

SPECIFICATIONS

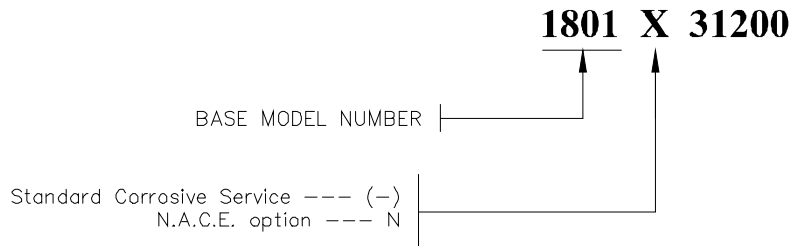
MAXIMUM WORKING PRESSURE	6,000 PSI (414 BAR)
INLET CHECK OPENING PRESSURE	45 PSI (3.1 BAR)
AMBIENT TEMPERATURE RANGE	-20 TO 250° F
	-29 TO 122° C
Cv FACTOR (IN)	1.0
Cv FACTOR (BLEED)	4.82

REPAIR KIT

- 18-008-000

OTHER TEMPERATURE RANGES AND SEAL COMPOUNDS AVAILABLE UPON REQUEST

ORDERING CODE



PHONE: 504-340-0055
 FAX: 504-340-0056
 EMAIL: SALES@RUELCO.COM

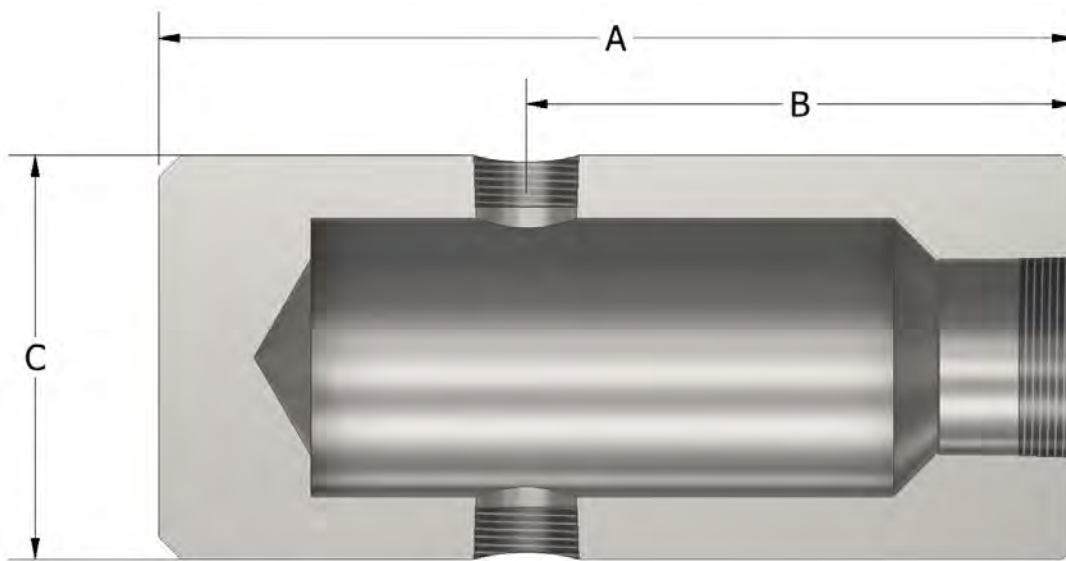
1209 DISTRIBUTORS ROW
 NEW ORLEANS, LA 70123

OPERATION

Ruelco Model Level Switch Cages are used for installing the Ruelco Level Switch externally on tanks or pressure vessels. The compact size of these units permit efficient bridle mounting of multiple switches using a minimum number of vessel connections. Standard cages use solid bar non-welded construction allowing them to withstand the most severe operating environments. An NPT drain port can also be added to the back of the cage for horizontal mounting.

FEATURES

- Coated 1018 or 316 stainless steel solid bar construction
- ANSI 600 or ANSI 900



NPT MOUNT EXTERNAL CAGE

DIMENSIONS

A	10.20" (259 mm)
B	6.10" (155 mm)
C	4.50" (114.3 mm)
LEVEL SWITCH CONNECTION	2" NPT
BRIDLE CONNECTIONS	1" NPT

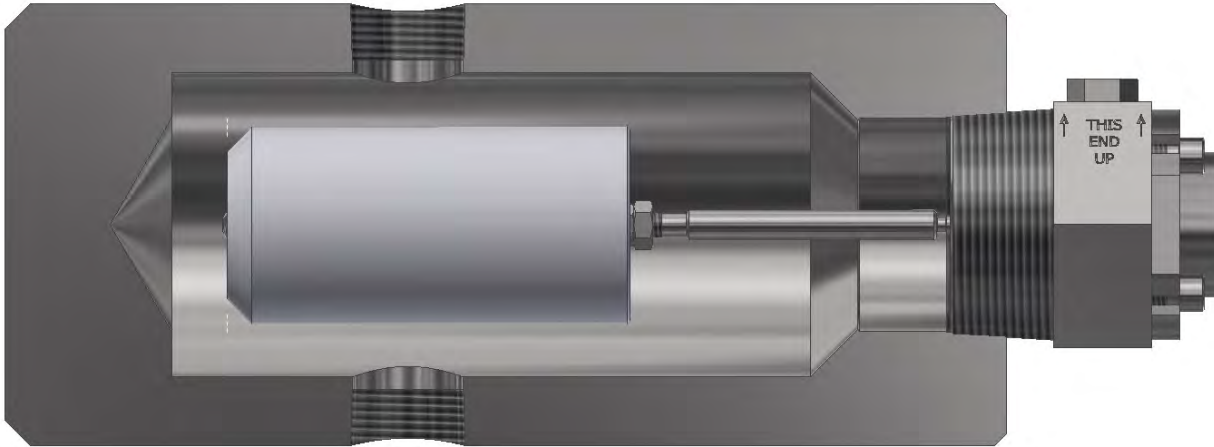
PHONE: 504-340-0055
FAX: 504-340-0056
EMAIL: SALES@RUELCO.COM

1209 DISTRIBUTORS ROW
NEW ORLEANS, LA 70123

SPECIFICATIONS

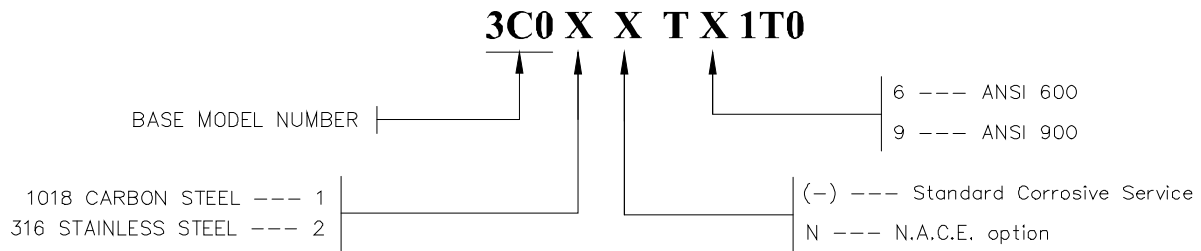
MAXIMUM WORKING PRESSURE @ 100° F	2,160 PSI (149 BAR)
MAXIMUM TEST PRESSURE @ 100° F	3,240 PSI (223.4 BAR)

NPT MOUNT EXTERNAL CAGE



SHOWN WITH LEVEL SWITCH INSTALLED IN CAGE

ORDERING CODE



PHONE: 504-340-0055
 FAX: 504-340-0056
 EMAIL: SALES@RUELCO.COM

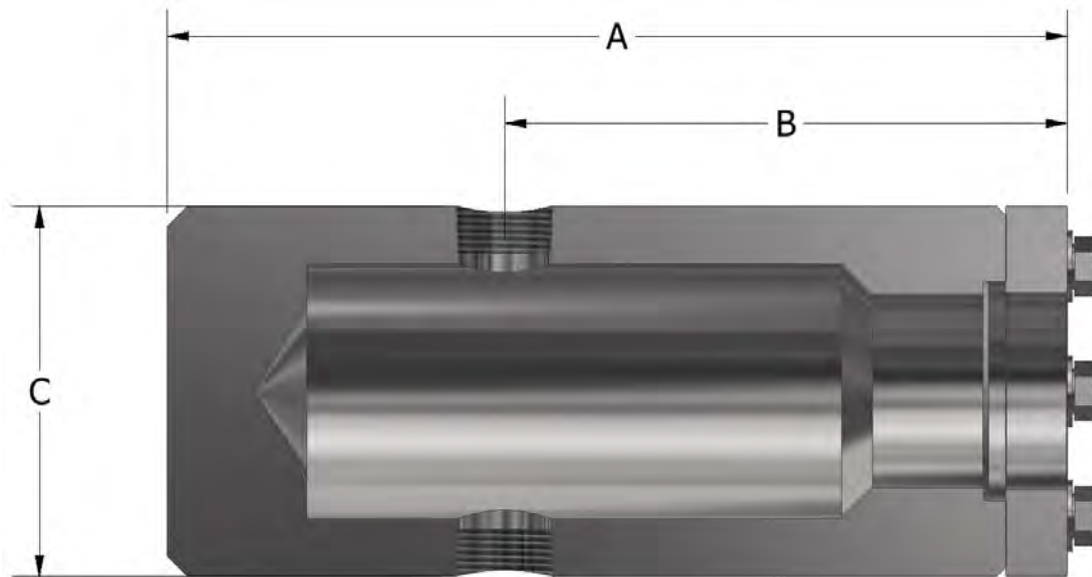
1209 DISTRIBUTORS ROW
 NEW ORLEANS, LA 70123

OPERATION

Ruelco Model Level Switch Cages are used for installing the Ruelco Level Switch externally on tanks or pressure vessels. The compact size of these units permit efficient bridle mounting of multiple switches using a minimum number of vessel connections. Standard cages use solid bar non-welded construction allowing them to withstand the most severe operating environments. An NPT drain port can also be added to the back of the cage for horizontal mounting.

FEATURES

- Coated 1018 or 316 stainless steel solid bar construction
- ANSI 600 or ANSI 900



FLANGE MOUNT EXTERNAL CAGE

DIMENSIONS

A	10.95" (278.1 mm)
B	6.85" (174 mm)
C	4.50" (114.3 mm)
LEVEL SWITCH CONNECTION	RUELCO FLANGE
BRIDLE CONNECTIONS	1" NPT

PHONE: 504-340-0055
FAX: 504-340-0056
EMAIL: SALES@RUELCO.COM

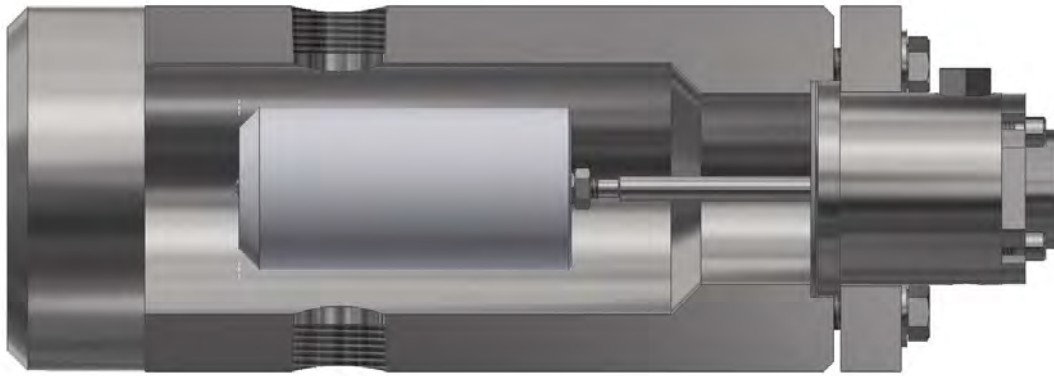
1209 DISTRIBUTORS ROW
NEW ORLEANS, LA 70123

PARTS LIST

ITEM	QUANTITY	DESCRIPTION	MATERIAL
1	1	FLANGE CAGE	ASTM A-108 OR 316 ST. STL.
2	1	FLANGE GASKET	BLUE-GARD TM OR 316 ST. STL.
3	1	MOUNTING RING	ASTM A-108 OR 316 ST. STL.
4	6	FLAT WASHER	CARBON STEEL OR 316 ST. STL.
5	6	HEX HEAD BOLT	SAE GRADE 8 OR 316 ST. STL.

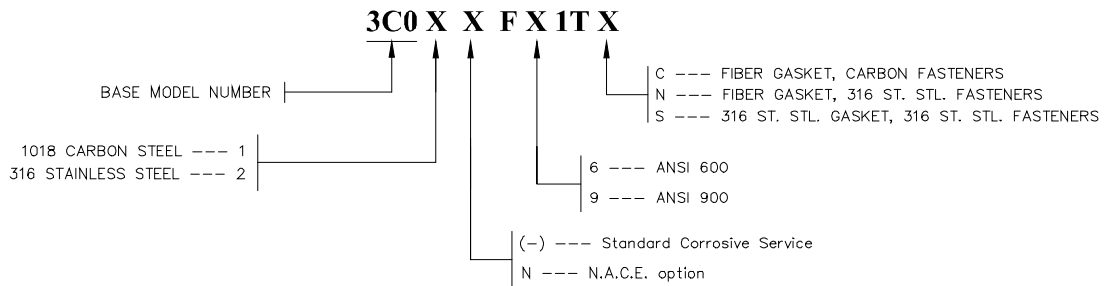
SPECIFICATIONS

MAXIMUM WORKING PRESSURE @ 100° F	2,160 PSI (149 BAR)
MAXIMUM TEST PRESSURE @ 100° F	3,240 PSI (223.4 BAR)



SHOWN WITH LEVEL SWITCH INSTALLED IN CAGE

ORDERING CODE



PHONE: 504-340-0055
 FAX: 504-340-0056

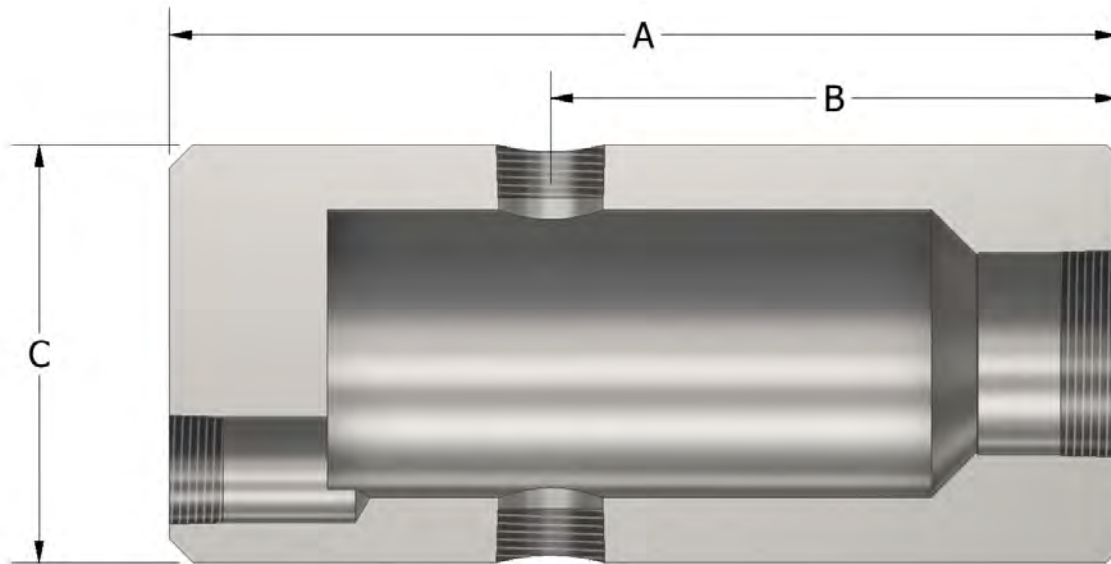
1209 DISTRIBUTORS ROW
 NEW ORLEANS, LA 70123

OPERATION

Ruelco Model Level Switch Cages are used for installing the Ruelco Level Switch externally on tanks or pressure vessels. The compact size of these units permit efficient bridle mounting of multiple switches using a minimum number of vessel connections. Standard cages use solid bar non-welded construction allowing them to withstand the most severe operating environments. An NPT drain port can also be added to the back of the cage for horizontal mounting.

FEATURES

- Coated 1018 or 316 stainless steel solid bar construction
- ANSI 600 or ANSI 900



DIMENSIONS

A	10.20" (259 mm)
B	6.10" (155 mm)
C	4.50" (114.3 mm)
LEVEL SWITCH CONNECTIONS	2" NPT
BRIDLE CONNECTIONS	1" NPT

SPECIFICATIONS

MAXIMUM WORKING PRESSURE @ 100° F	2,160 PSI (149 BAR)
MAXIMUM TEST PRESSURE @ 100° F	3,240 PSI (223.4 BAR)

ORDERING CODE

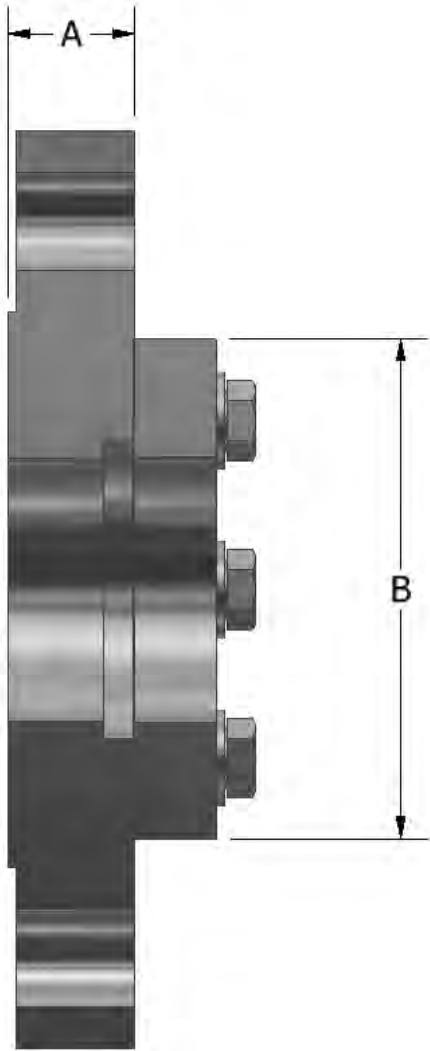
3C01SA0002

PHONE: 504-340-0055
 FAX: 504-340-0056
 EMAIL: SALES@RUELCO.COM

1209 DISTRIBUTORS ROW
 NEW ORLEANS, LA 70123

OPERATION

Ruelco Model External Mount Flanges are used for installing the Ruelco Level Switch externally on tanks or pressure vessels to a mating flange. Any ANSI or DIN flange can be machined to exacting specifications for the Ruelco Level Switch.



FEATURES

- Coated 1018 or 316 stainless steel solid bar construction
- Any standard size ANSI or DIN flange can be used

DIMENSIONS

A	FLANGE DEPENDANT
B	4.50" (114.3 mm)
LEVEL SWITCH	RUELCO FLANGE

EXTERNAL FLANGE MOUNT

PHONE: 504-340-0055
FAX: 504-340-0056
EMAIL: SALES@RUELCO.COM

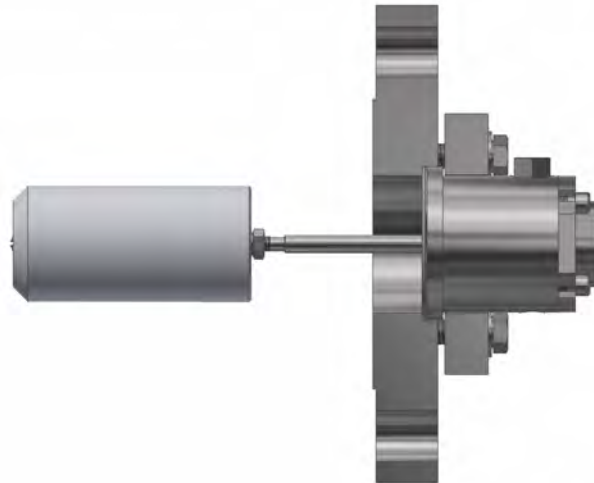
1209 DISTRIBUTORS ROW
NEW ORLEANS, LA 70123

PARTS LIST

ITEM	QUANTITY	DESCRIPTION	MATERIAL
1	1	ANSI OR DIN FLANGE	ASTM A-108 OR 316 ST. STL.
2	1	FLANGE GASKET	BLUE-GARD TM OR 316 ST. STL.
3	1	MOUNTING RING	ASTM A-108 OR 316 ST. STL.
4	6	FLAT WASHER	CARBON STEEL OR 316 ST. STL.
5	6	HEX HEAD BOLT	SAE GRADE 8 OR 316 ST. STL.

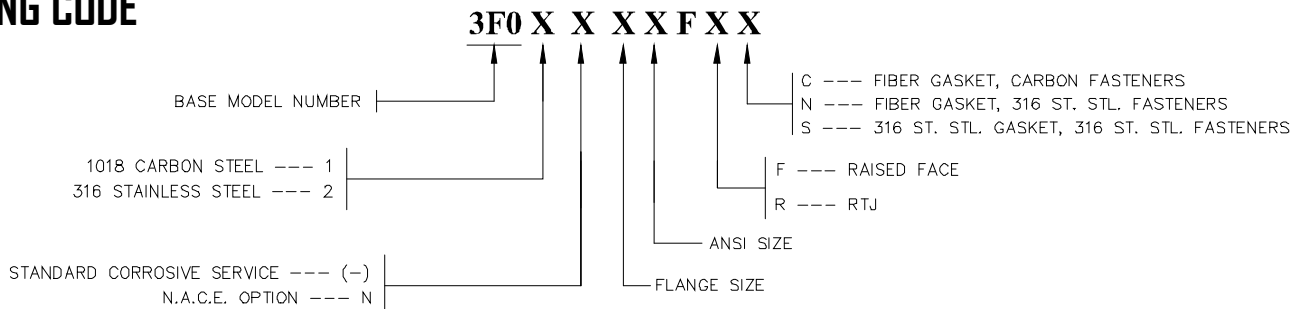
SPECIFICATIONS

MAXIMUM WORKING PRESSURE @ 100° F	2,160 PSI (149 BAR)
MAXIMUM TEST PRESSURE @ 100° F	3,240 PSI (223.4 BAR)



SHOWN WITH LEVEL SWITCH INSTALLED IN FLANGE

ORDERING CODE



PHONE:
504-340-0055
FAX: 504-340-0056

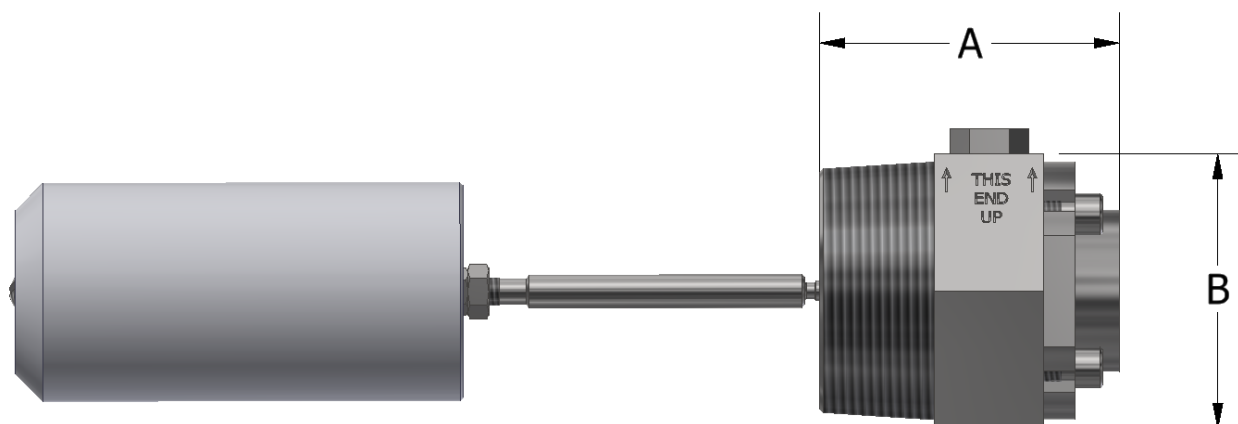
1209 DISTRIBUTORS ROW
NEW ORLEANS, LA 70123

OPERATION

The Ruelco Model 30C2 is a Pneumatic Liquid Level Switch. It incorporates 2" NPT thread giving it substantial mounting flexibility. The displacer operates a pneumatic valve when the liquid in a tank or pressure vessel reaches a predetermined level. The flex level operates as either a high or low level sensor, the mode of operation is selected simply by rotating the valve body 180 degrees. The standard pneumatic valve is a two way N.O. or N.C. valve which provides positive and fast system response. When used as a high level sensor, the valve will be N.C. when the liquid level is below the sensor. The valve for a low level sensor is N.O. when the liquid level is below the sensor.

FEATURES

- 316 stainless steel construction (models to N.A.C.E. MR0175 available)
- Design has no deep cavities or recesses exposed to the process fluids for debris accumulation and is excellent for dirty fluid applications
- Uses a patented pivot seal mechanism to transmit liquid buoyancy to the valve operation mechanism with the pivot completely isolated from the process fluid
- Mode of operation (HI or LO) is easily changed and no re-calibration is required
- Level adjustments cannot be easily tampered with after installation, making this switch well suited for critical applications



DIMENSIONS

A	2.72" (69 mm)
B	2.50" HEX (63.5 mm)
CONNECTION PORTS	1/4" FNPT
WEIGHT	3.3 LBS. (1.5 Kg.)

SPECIFICATIONS

MAXIMUM WORKING PRESSURE	2,160 PSI (149 BAR)
MAXIMUM SUPPLY PRESSURE	50 PSI (3.44 BAR)
MINIMUM SPECIFIC GRAVITY	0.6
Cv FACTOR	.16

PNEUMATIC 2" NPT LEVEL SWITCH

PHONE: 504-340-0055
 FAX: 504-340-0056
 EMAIL: SALES@RUELCO.COM

1209 DISTRIBUTORS ROW
 NEW ORLEANS, LA 70123

PARTS LIST

ITEM	QUANTITY	DESCRIPTION	MATERIAL
1	1	DISPLACER ASSEMBLY	POLYPROPYLENE OR 316 ST. STL.
2	1	FLOAT ROD	316 ST. STL.
3	1	BODY SEAL RETAINER	316 ST. STL.
4*	1	BODY SEAL	FLUOROCARBON
5	1	BODY	316 ST. STL.
6	1	SPRING CAP	316 ST. STL.
7	1	SPRING	INCONEL
8	1	SPRING GUIDE	316 ST. STL.
9	4	SOCKET HEAD CAP SCREW	316 ST. STL.
10*	1	VALVE SEAT	FLUOROCARBON
11	1	VALVE BODY	CF-8M
12*	1	VALVE RETAINER SEAL	FLUOROCARBON
13	1	VALVE RETAINER	316 ST. STL.
14	1	VALVE POPPET	316 ST. STL.
15*	1	POPPET SEAL	FLUOROSILICONE
16*	1	REMOVABLE PIVOT	17-4 PH ST. STL.
17	1	CONE	17-4 PH ST. STL.
18	1	FLOAT ROD NUT	316 ST. STL.

* INDICATES ITEMS IN THE REPAIR KIT

REPAIR KIT

- 30-089-000

OTHER TEMPERATURE RANGES AND SEAL COMPOUNDS AVAILABLE UPON REQUEST

ORDERING CODE

BODY CODE: 30C2

PHONE: 504-340-0055
 FAX: 504-340-0056
 EMAIL: SALES@RUELCO.COM

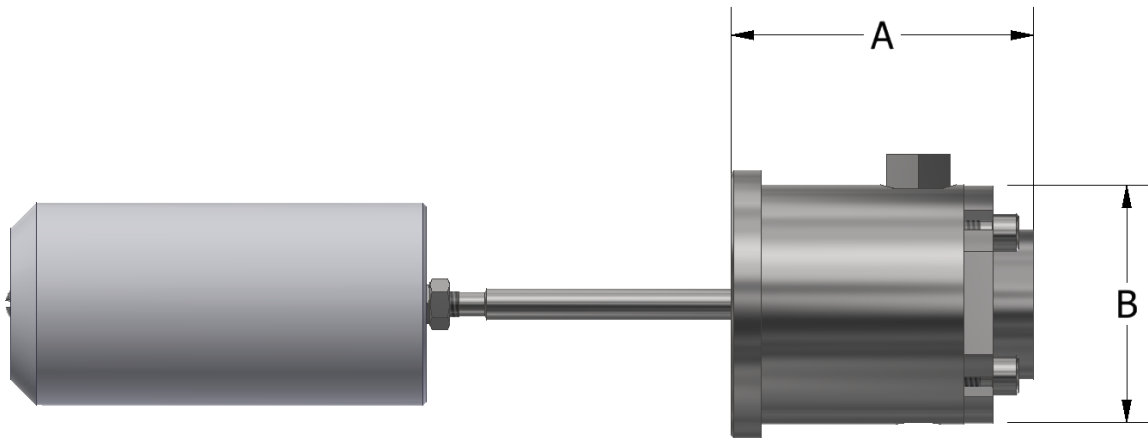
1209 DISTRIBUTORS ROW
 NEW ORLEANS, LA 70123

OPERATION

The Ruelco Model 31C2 is a Pneumatic Liquid Level Switch. It incorporates custom flange and gasket giving it substantial mounting flexibility. The displacer operates a pneumatic valve when the liquid in a tank or pressure vessel reaches a predetermined level. The flex level operates as either a high or low level sensor, the mode of operation is selected simply by rotating the valve body 180 degrees. The standard pneumatic valve is a two way N.O. or N.C. valve which provides positive and fast system response. When used as a high level sensor, the valve will be N.C. when the liquid level is below the sensor. The valve for a low level sensor is N.O. when the liquid level is below the sensor.

FEATURES

- 316 stainless steel construction (models to N.A.C.E. MR0175 available)
- Design has no deep cavities or recesses exposed to the process fluids for debris accumulation and is excellent for dirty fluid applications
- Uses a patented pivot seal mechanism to transmit liquid buoyancy to the valve operation mechanism with the pivot completely isolated from the process fluid
- Mode of operation (HI or LO) is easily changed and no re-calibration is required
- Level adjustments cannot be easily tampered with after installation, making this switch well suited for critical applications



DIMENSIONS

A	3.00" (76.2 mm)
B	2.37" (60.2 mm)
CONNECTION PORTS	1/4" FNPT
WEIGHT	3.3 LBS (1.5 Kg.)

SPECIFICATIONS

MAXIMUM WORKING PRESSURE	2,160 PSI (149 BAR)
MAXIMUM SUPPLY PRESSURE	50 PSI (3.44 BAR)
MINIMUM SPECIFIC GRAVITY	0.6
Cv FACTOR	.16

PHONE: 504-340-0055
 FAX: 504-340-0056
 EMAIL: SALES@RUELCO.COM

1209 DISTRIBUTORS ROW
 NEW ORLEANS, LA 70123

PARTS LIST

ITEM	QUANTITY	DESCRIPTION	MATERIAL
1	1	DISPLACER ASSEMBLY	POLYPROPYLENE OR 316 ST. STL.
2	1	FLOAT ROD	316 ST. STL.
3	1	BODY SEAL RETAINER	316 ST. STL.
4*	1	BODY SEAL	FLUOROCARBON
5	1	FLANGE BODY	316 ST. STL.
6	1	SPRING CAP	316 ST. STL.
7	1	SPRING	INCONEL
8	1	SPRING GUIDE	316 ST. STL.
9	4	SOCKET HEAD CAP SCREW	316 ST. STL.
10*	1	VALVE SEAT	FLUOROCARBON
11	1	VALVE BODY	CF-8M
12*	1	VALVE RETAINER SEAL	FLUOROCARBON
13	1	VALVE RETAINER	316 ST. STL.
14	1	VALVE POPPET	316 ST. STL.
15*	1	POPPET SEAL	FLUOROSILICONE
16*	1	REMOVABLE PIVOT	17-4 PH ST. STL.
17	1	CONE	17-4 PH ST. STL.
18	1	FLOAT ROD NUT	316 ST. STL.

* INDICATES ITEMS IN THE REPAIR KIT

REPAIR KIT

- 30-089-000

OTHER TEMPERATURE RANGES AND SEAL COMPOUNDS AVAILABLE UPON REQUEST

ORDERING CODE

BODY CODE: 31C2

PHONE: 504-340-0055
 FAX: 504-340-0056
 EMAIL: SALES@RUELCO.COM

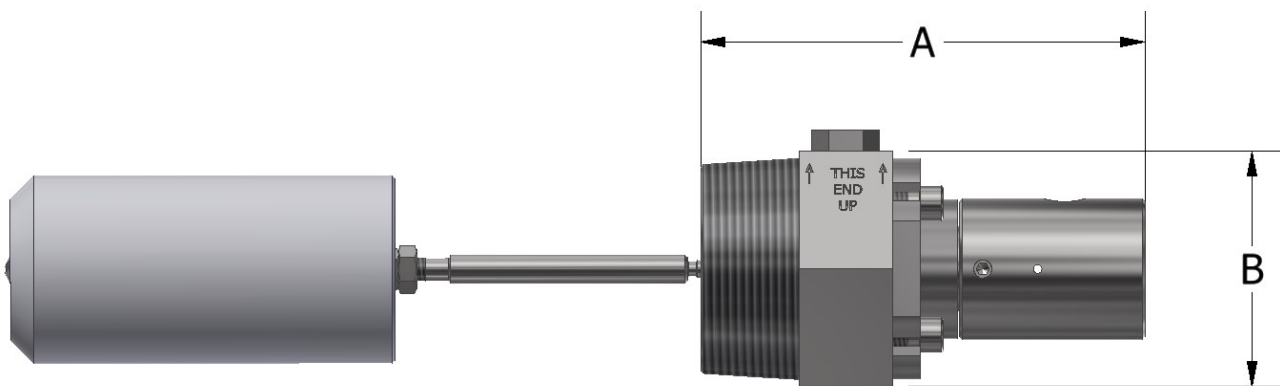
1209 DISTRIBUTORS ROW
 NEW ORLEANS, LA 70123

OPERATION

The Ruelco Model 35C2 is a 3-way pneumatic block and bleed, Liquid Level Switch. It incorporates 2" NPT thread giving it substantial mounting flexibility. The displacer operates a pneumatic valve when the liquid in a tank or pressure vessel reaches a predetermined level. The flex level operates as either a high or low level sensor, the mode of operation is selected simply by rotating the valve body 180 degrees. The 3-way pneumatic valve is a N.O. or N.C. block and bleed valve which provides positive and fast system response. When used as a high level sensor, the valve will be N.C. when the liquid level is below the sensor. The valve for a low level sensor is N.O. when the liquid level is below the sensor.

FEATURES

- 316 stainless steel construction (models to N.A.C.E. MR0175 available)
- Design has no deep cavities or recesses exposed to the process fluids for debris accumulation and is excellent for dirty fluid applications
- Uses a patented pivot seal mechanism to transmit liquid buoyancy to the valve operation mechanism with the pivot completely isolated from the process fluid
- Mode of operation (HI or LO) is easily changed and no re-calibration is required
- Level adjustments cannot be easily tampered with after installation, making this switch well suited for critical applications



DIMENSIONS

A	4.72"(119.8 mm)
B	2.50" HEX (63.5 mm)
CONNECTION PORTS	1/4" FNPT
WEIGHT	4.03 LBS. (1.83 Kg.)

SPECIFICATIONS

MAXIMUM WORKING PRESSURE	2,160 PSI (149 BAR)
MAXIMUM SUPPLY PRESSURE	50 PSI (3.44 BAR)
MINIMUM SPECIFIC GRAVITY	0.6
Cv FACTOR	.12

PHONE: 504-340-0055
 FAX: 504-340-0056
 EMAIL: SALES@RUELCO.COM

1209 DISTRIBUTORS ROW
 NEW ORLEANS, LA 70123

PARTS LIST

ITEM	QUANTITY	DESCRIPTION	MATERIAL
1	1	DISPLACER ASSEMBLY	POLYPROPYLENE OR 316 ST. STL.
2	1	FLOAT ROD	316 ST. STL.
3	1	BODY SEAL RETAINER	316 ST. STL.
4*	1	BODY SEAL	FLUOROCARBON
5	1	BODY	316 ST. STL.
6	1	SPRING CAP	316 ST. STL.
7	1	SPRING	INCONEL
8	1	SPRING GUIDE	316 ST. STL.
9	4	SOCKET HEAD CAP SCREW	316 ST. STL.
10	1	VALVE BODY	CF-8M
11	1	3-WAY VALVE POPPET	316 ST. STL.
12*	2	POPPET WEAR RINGS	DELTRIN
13*	1	REMOVABLE PIVOT	17-4 PH ST. STL.
14	1	CONE	17-4 PH ST. STL.
15	1	FLOAT ROD NUT	316 ST. STL.
16	1	3-WAY VALVE BODY	316 ST. STL.
17	1	COLLAR	316 ST. STL.
18	3	COLLAR SET SCREWS	ST. STL.
19	1	RETAINER	316 ST. STL.
20*	1	RETAINER SEAL	FLUOROCARBON
21*	1	STINGER	ST. STL./ FLUOROCARBON
22	1	PUSH ROD ASSEMBLY	ST. STL.

* INDICATES ITEMS IN THE REPAIR KIT

REPAIR KIT

- 35-007-000

OTHER TEMPERATURE RANGES AND SEAL COMPOUNDS AVAILABLE UPON REQUEST

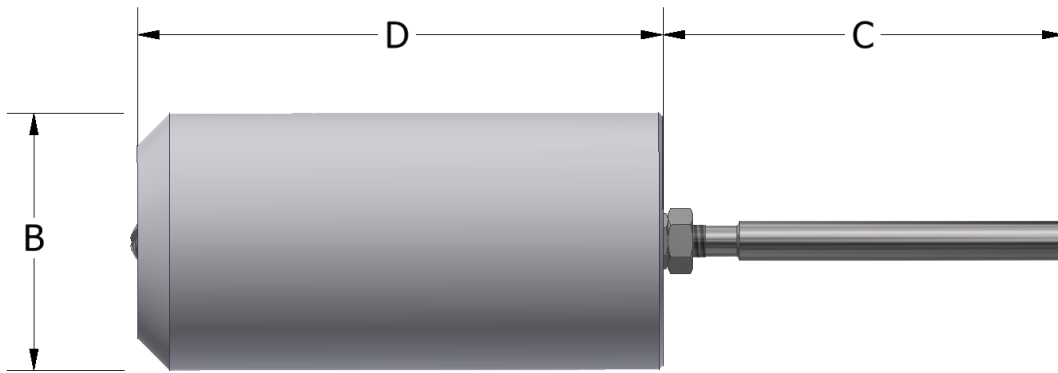
PHONE: 504-340-0055
 FAX: 504-340-0056
 EMAIL: SALES@RUELCO.COM

ORDERING CODE

BODY CODE: 30C2

1209 DISTRIBUTORS ROW
 NEW ORLEANS, LA 70123

POLYPROPYLENE 3" ROD



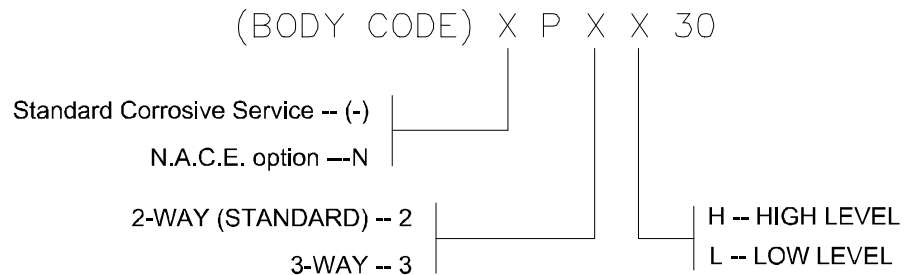
DIMENSIONS

B	2.00" (50.8 mm)
C	3.25" (82.6 mm)
D	4.10" (104.14 mm)

SPECIFICATIONS

MAXIMUM WORKING PRESSURE	2,160 PSI (149 BAR)
AMBIENT TEMPERATURE RANGE	-20 TO 250° F -29 TO 122° C
MAXIMUM PROCESS TEMPERATURE	200°F (93°C)

ORDERING CODE

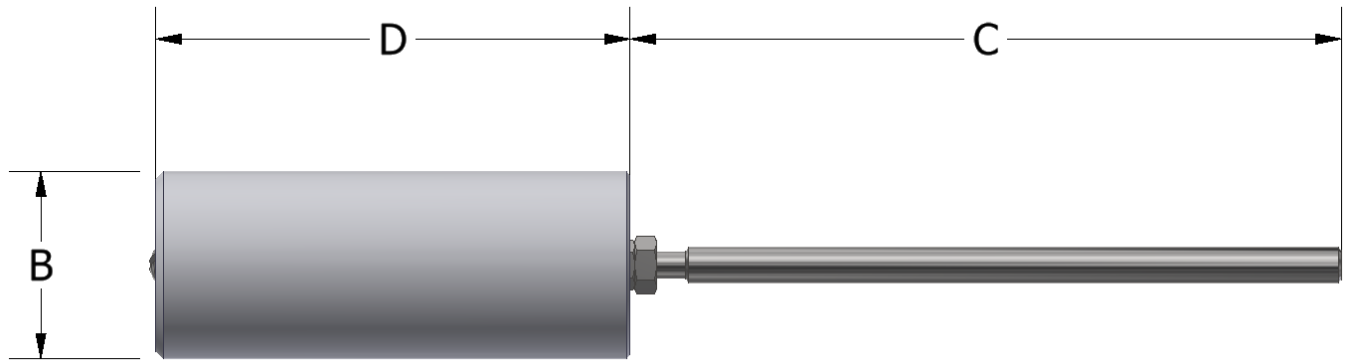


PHONE: 504-340-0055
 FAX: 504-340-0056
 EMAIL: SALES@RUELCO.COM

1209 DISTRIBUTORS ROW
 NEW ORLEANS, LA 70123

DISPLACERS

POLYPROPYLENE 6" ROD



DIMENSIONS

B	1.62" (41.3 mm)
C	6.50" (165.1 mm)
D	4.10" (104.14 mm)

SPECIFICATIONS

MAXIMUM WORKING PRESSURE	2,160 PSI (149 BAR)
AMBIENT TEMPERATURE RANGE	-20 TO 250° F -29 TO 122° C
MAXIMUM PROCESS TEMPERATURE	200°F (93°C)

DISPLACERS

ORDERING CODE

(BODY CODE) X P X X 60

Standard Corrosive Service -- (-)

N.A.C.E. option --N

2-WAY (STANDARD) -- 2

3-WAY -- 3

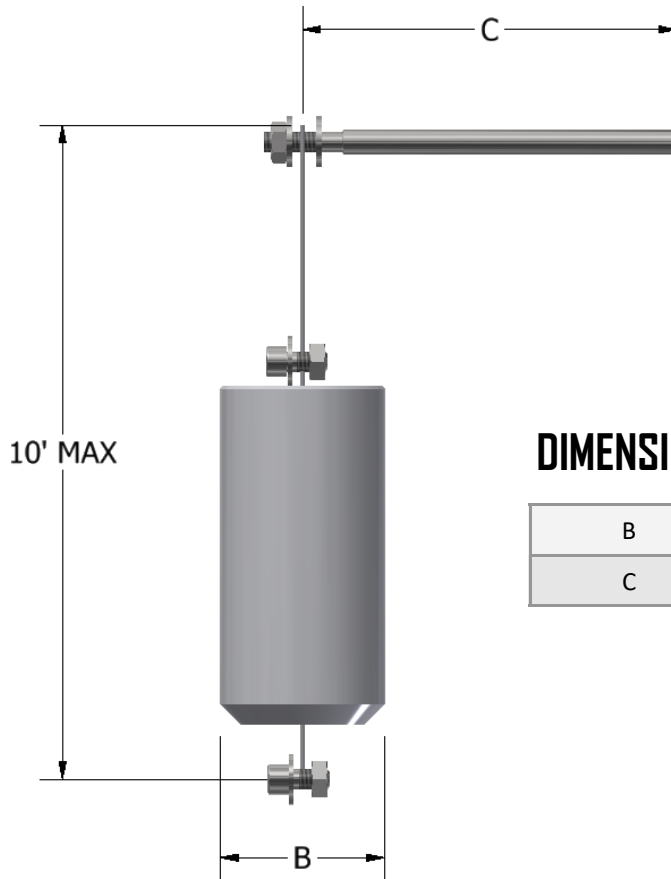
H -- HIGH LEVEL

L -- LOW LEVEL

PHONE: 504-340-0055
 FAX: 504-340-0056
 EMAIL: SALES@RUELCO.COM

1209 DISTRIBUTORS ROW
 NEW ORLEANS, LA 70123

POLYPROPYLENE 10' HANGDOWN



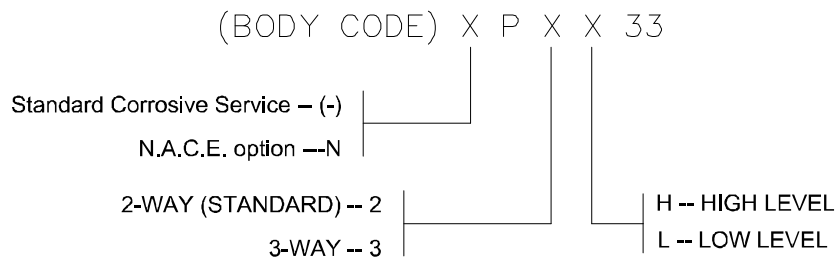
DIMENSIONS

B	2.00" (50.8 mm)
C	4.50" (114.3 mm)

SPECIFICATIONS

MAXIMUM WORKING PRESSURE	2,160 PSI (149 BAR)
AMBIENT TEMPERATURE RANGE	-20 TO 250° F -29 TO 122° C
MAXIMUM PROCESS TEMPERATURE	200° F (93°C)

ORDERING CODE

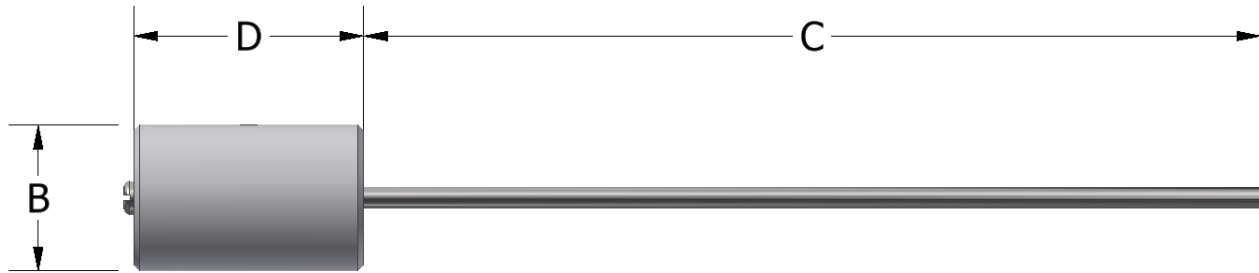


PHONE: 504-340-0055
 FAX: 504-340-0056
 EMAIL: SALES@RUELCO.COM

1209 DISTRIBUTORS ROW
 NEW ORLEANS, LA 70123

DISPLACERS

POLYPROPYLENE EXTENDED ROD



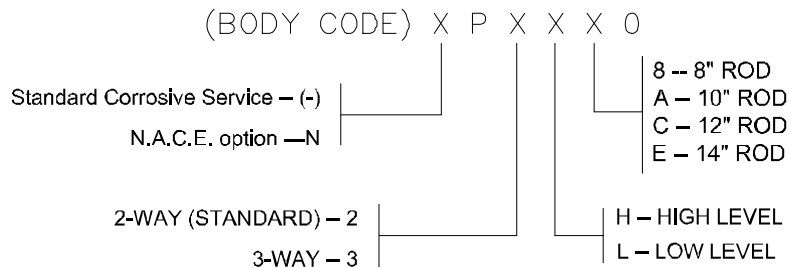
DIMENSIONS

	8" ROD	10" ROD	12" ROD	14" ROD
B	1.62" (41.3 mm)	1.62" (41.3 mm)	1.62" (41.3 mm)	1.50" (38.1 mm)
C	6.72" (170.7 mm)	9.95" (252.7 mm)	12.19" (309.6 mm)	13.75" (349.3 mm)
D	3.00" (76.2 mm)	2.55" (64.8 mm)	2.12" (53.8 mm)	2.30" (58.4 mm)

SPECIFICATIONS

MAXIMUM WORKING PRESSURE	2,160 PSI (149 BAR)
AMBIENT TEMPERATURE RANGE	-20 TO 250° F -29 TO 122° C
MAXIMUM PROCESS TEMPERATURE	200°F (93°C)

ORDERING CODE

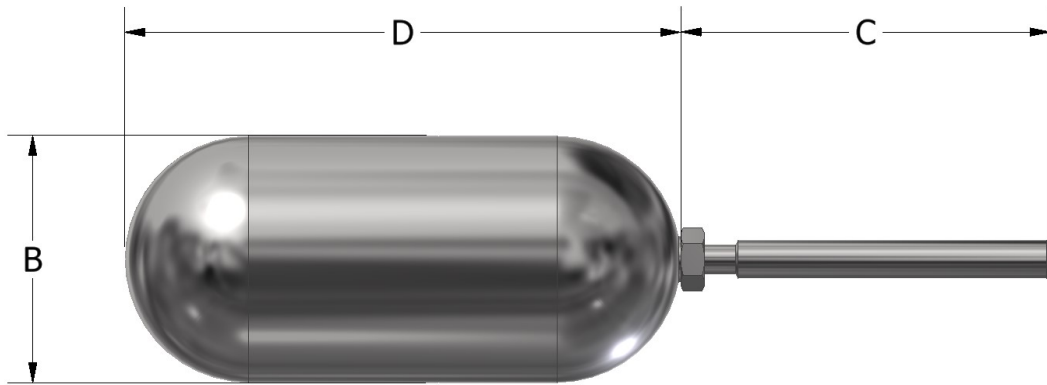


PHONE: 504-340-0055
 FAX: 504-340-0056
 EMAIL: SALES@RUELCO.COM

1209 DISTRIBUTORS ROW
 NEW ORLEANS, LA 70123

DISPLACERS

316 ST. STL. 3" ROD



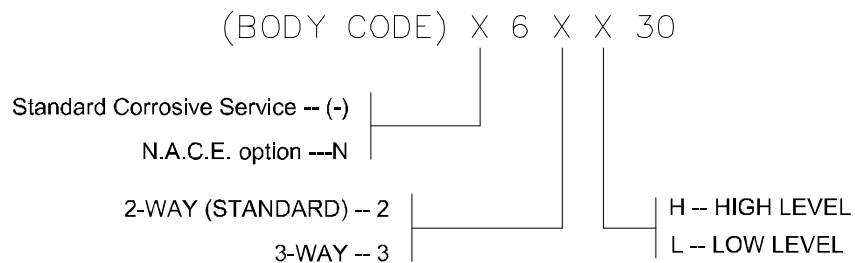
DIMENSIONS

B	2.00" (50.8 mm)
C	3.25" (82.6 mm)
D	4.50" (114.3 mm)

SPECIFICATIONS

MAXIMUM WORKING PRESSURE	2,160 PSI (149 BAR)
AMBIENT TEMPERATURE RANGE	-20 TO 300° F -29 TO 148° C
MAXIMUM PROCESS TEMPERATURE	300°F (148°C)

ORDERING CODE

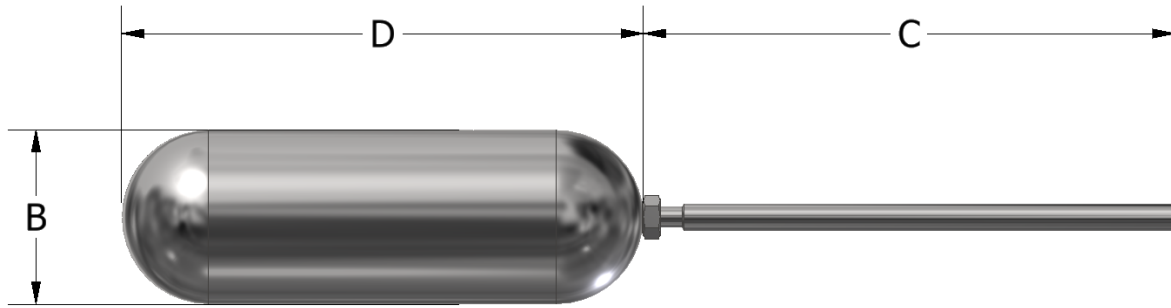


PHONE: 504-340-0055
 FAX: 504-340-0056
 EMAIL: SALES@RUELCO.COM

1209 DISTRIBUTORS ROW
 NEW ORLEANS, LA 70123

DISPLACERS

316 ST. STL. 6" ROD



DIMENSIONS

B	2.00" (50.8 mm)
C	6.50" (165.1 mm)
D	6.00" (152.4 mm)

SPECIFICATIONS

MAXIMUM WORKING PRESSURE	300 PSI (20.68 BAR)
AMBIENT TEMPERATURE RANGE	-20 TO 300° F -29 TO 148° C
MAXIMUM PROCESS TEMPERATURE	300°F (148°C)

ORDERING CODE

(BODY CODE)SA0002 X 6 X X 60

Standard Corrosive Service -- (-) |
 N.A.C.E. option ---N |

2-WAY (STANDARD) -- 2 | | H -- HIGH LEVEL
 3-WAY -- 3 | | L -- LOW LEVEL

PHONE: 504-340-0055
 FAX: 504-340-0056
 EMAIL: SALES@RUELCO.COM

1209 DISTRIBUTORS ROW
 NEW ORLEANS, LA 70123

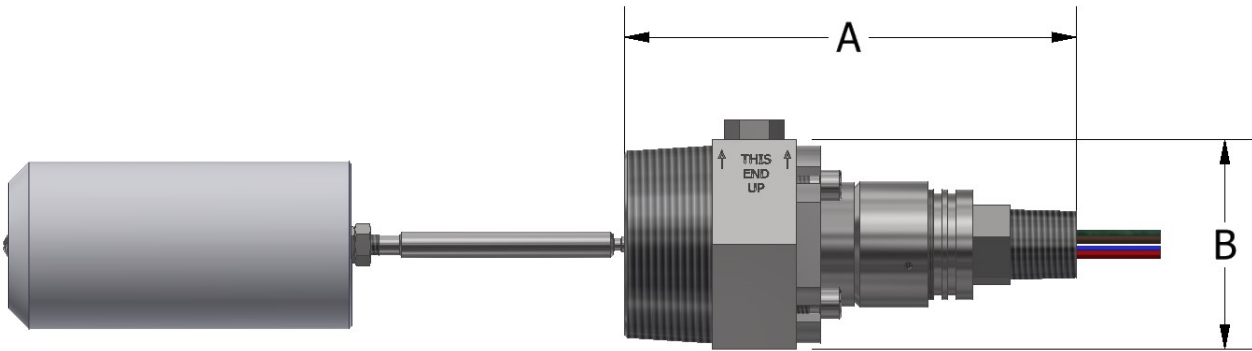
DISPLACERS

OPERATION

The Ruelco Model 38C2 is a liquid level switch designed to meet the growing industry demand for durable, easy to maintain and accurate, electrical discreet point liquid level indication. Its non-externally adjustable set point makes it ideal for safety level switches and redundant back-up switches. It can provide control for simple local systems up to the most sophisticated process control systems. The direct action of the flex level design ensures trouble free operation in the process fluids with specific gravities as low as 0.6 without any fine tuning or other adjustments.

FEATURES

- 316 stainless steel construction (models to N.A.C.E. MR0175 available)
- Design has no deep cavities or recesses exposed to the process fluids for debris accumulation and is excellent for dirty fluid applications
- Uses a patented pivot seal mechanism to transmit liquid buoyancy to the valve operation mechanism with the pivot completely isolated from the process fluid
- Uses hermetically sealed, snap acting dry contact, explosion proof switch U.L. rated
- Level adjustments cannot be easily tampered with after installation, making this switch well suited for critical applications



DIMENSIONS

A	5.44" (138.2 mm)
B	2.50" HEX (63.5 mm)
ELECTRICAL CONNECTION	1/2" MNPT
ELECTRICAL LEADS	18" (457.2 mm)
WEIGHT	3.8 LBS (1.7 kg)

SPECIFICATIONS

MAXIMUM WORKING PRESSURE	2,160 PSI (149 BAR)
AMBIENT TEMPERATURE RANGE	-20 TO 158° F -29 TO 70° C
MINIMUM SPECIFIC GRAVITY	0.6

PHONE: 504-340-0055
 FAX: 504-340-0056
 EMAIL: SALES@RUELCO.COM

1209 DISTRIBUTORS ROW
 NEW ORLEANS, LA 70123

ELECTRICAL OPERATION

LEAD	COLOR	RISING LEVEL	FALLING LEVEL
NO / NO2	BLUE / PURPLE	CLOSES	OPENS
NC / NC2	RED / BLACK	OPENS	CLOSES
C / C2	BROWN / YELLOW	COMMON LEADS	
GND	GREEN	GROUND	

ELECTRICAL SPECIFICATIONS

SPDT & DPDT SWITCH MAXIMUM VOLTAGE	250 VAC 28 VDC
SPDT & DPDT SWITCH AMPS @ MAXIMUM VOLTAGE	5 AMPS
AMBIENT TEMPERATURE RANGE	-20 TO 158° F

ELECTRICAL CERTIFICATIONS

UNDERWRITERS LABORATORIES	CLASS I, GROUPS A,B,C,D
UNDERWRITERS LABORATORIES	CLASS II, GROUPS E,F,G
ATEX	Ex d IIC

ELECTRIC 2" NPT LEVEL SWITCH

PHONE: 504-340-0055
 FAX: 504-340-0056
 EMAIL: SALES@RUELCO.COM

1209 DISTRIBUTORS ROW
 NEW ORLEANS, LA 70123

PARTS LIST

ITEM	QUANTITY	DESCRIPTION	MATERIAL
1	1	DISPLACER ASSEMBLY	POLYPROPYLENE OR 316 ST. STL.
2	1	FLOAT ROD	316 ST. STL.
3	1	BODY SEAL RETAINER	316 ST. STL.
4*	1	BODY SEAL	FLUOROCARBON
5	1	BODY	316 ST. STL.
6	1	SPRING CAP	316 ST. STL.
7	1	SPRING	INCONEL
8	1	SPRING GUIDE	316 ST. STL.
9	4	SOCKET HEAD CAP SCREW	316 ST. STL.
10	1	ELECTRIC VALVE BODY	CF-8M
11*	2	WEAR BANDS	DELTRIN
12	1	ELECTRIC POPPET	316 ST. STL.
13*	1	REMOVABLE PIVOT	17-4 PH ST. STL.
14	1	CONE	17-4 PH ST. STL.
15	1	FLOAT ROD NUT	316 ST. STL.
16	1	PUSH ROD ASSEMBLY	316 ST. STL.
17A	1	SPDT SWITCH	316 ST. STL.
17B	-	DPDT SWITCH	316 ST. STL.

* INDICATES ITEMS IN THE REPAIR KIT

REPAIR KIT

- 38-016-000

OTHER TEMPERATURE RANGES AND SEAL
COMPOUNDS AVAILABLE UPON REQUEST

ORDERING CODE

BODY CODE: 38C2

PHONE: 504-340-0055
FAX: 504-340-0056
EMAIL: SALES@RUELCO.COM

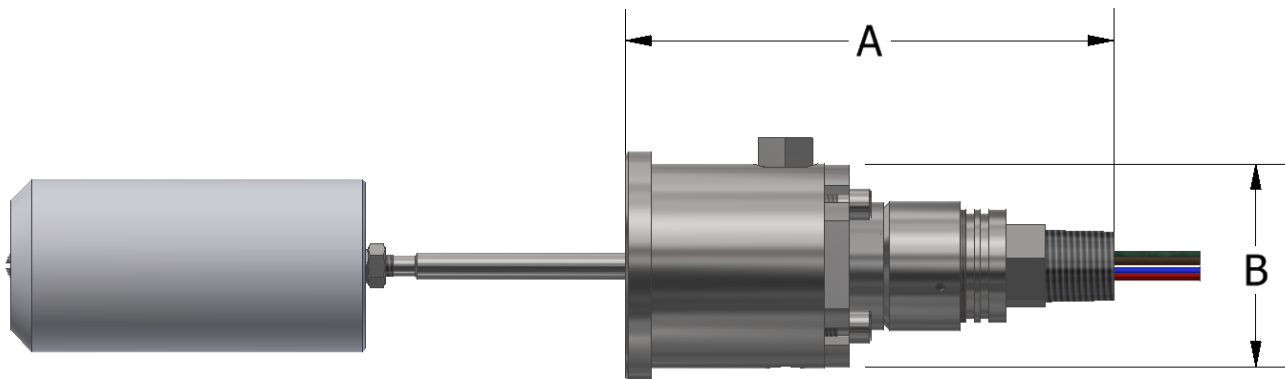
1209 DISTRIBUTORS ROW
NEW ORLEANS, LA 70123

OPERATION

The Ruelco Model 39C2 is a liquid level switch designed to meet the growing industry demand for durable, easy to maintain and accurate, electrical discreet point liquid level indication. Its non-externally adjustable set point makes it ideal for safety level switches and redundant back-up switches. It can provide control for simple local systems up to the most sophisticated process control systems. The direct action of the flex level design ensures trouble free operation in the process fluids with specific gravities as low as 0.6 without any fine tuning or other adjustments.

FEATURES

- 316 stainless steel construction (models to N.A.C.E. MR0175 available)
- Design has no deep cavities or recesses exposed to the process fluids for debris accumulation and is excellent for dirty fluid applications
- Uses a patented pivot seal mechanism to transmit liquid buoyancy to the valve operation mechanism with the pivot completely isolated from the process fluid
- Uses hermetically sealed, snap acting dry contact, explosion proof switch U.L. rated
- Level adjustments cannot be easily tampered with after installation, making this switch well suited for critical applications



DIMENSIONS

A	5.72" (145.3 mm)
B	2.37" (60.2 mm)
ELECTRICAL CONNECTION	1/2" MNPT
ELECTRICAL LEADS	18" (457.2 mm)
WEIGHT	3.8 LBS (1.7 kg)

SPECIFICATIONS

MAXIMUM WORKING PRESSURE	2,160 PSI (149 BAR)
AMBIENT TEMPERATURE RANGE	-20 TO 158° F -29 TO 70° C
MINIMUM SPECIFIC GRAVITY	0.6

PHONE: 504-340-0055
 FAX: 504-340-0056
 EMAIL: SALES@RUELCO.COM

1209 DISTRIBUTORS ROW
 NEW ORLEANS, LA 70123

ELECTRICAL OPERATION

LEAD	COLOR	RISING LEVEL	FALLING LEVEL
NO / NO2	BLUE / PURPLE	CLOSES	OPENS
NC / NC2	RED / BLACK	OPENS	CLOSES
C / C2	BROWN / YELLOW	COMMON LEADS	
GND	GREEN	GROUND	

ELECTRICAL SPECIFICATIONS

SPDT & DPDT SWITCH MAXIMUM VOLTAGE	250 VAC 28 VDC
SPDT & DPDT SWITCH AMPS @ MAXIMUM VOLTAGE	5 AMPS
AMBIENT TEMPERATURE RANGE	-20 TO 158° F

ELECTRICAL CERTIFICATIONS

UNDERWRITERS LABORATORIES	CLASS I, GROUPS A,B,C,D
UNDERWRITERS LABORATORIES	CLASS II, GROUPS E,F,G
ATEX	Ex d IIC

ELECTRIC FLANGE LEVEL SWITCH

PHONE: 504-340-0055
 FAX: 504-340-0056
 EMAIL: SALES@RUELCO.COM

1209 DISTRIBUTORS ROW
 NEW ORLEANS, LA 70123

PARTS LIST

ITEM	QUANTITY	DESCRIPTION	MATERIAL
1	1	DISPLACER ASSEMBLY	POLYPROPYLENE OR 316 ST. STL.
2	1	FLOAT ROD	316 ST. STL.
3	1	BODY SEAL RETAINER	316 ST. STL.
4*	1	BODY SEAL	FLUOROCARBON
5	1	FLANGE BODY	316 ST. STL.
6	1	SPRING CAP	316 ST. STL.
7	1	SPRING	INCONEL
8	1	SPRING GUIDE	316 ST. STL.
9	4	SOCKET HEAD CAP SCREW	316 ST. STL.
10	1	ELECTRIC VALVE BODY	CF-8M
11*	2	WEAR BANDS	DELTRIN
12	1	ELECTRIC POPPET	316 ST. STL.
13*	1	REMOVABLE PIVOT	17-4 PH ST. STL.
14	1	CONE	17-4 PH ST. STL.
15	1	FLOAT ROD NUT	316 ST. STL.
16	1	PUSH ROD ASSEMBLY	316 ST. STL.
17A	1	SPDT SWITCH	316 ST. STL.
17B	-	DPDT SWITCH	316 ST. STL.

* INDICATES ITEMS IN THE REPAIR KIT

REPAIR KIT

- 38-016-000

OTHER TEMPERATURE RANGES AND SEAL COMPOUNDS AVAILABLE UPON REQUEST

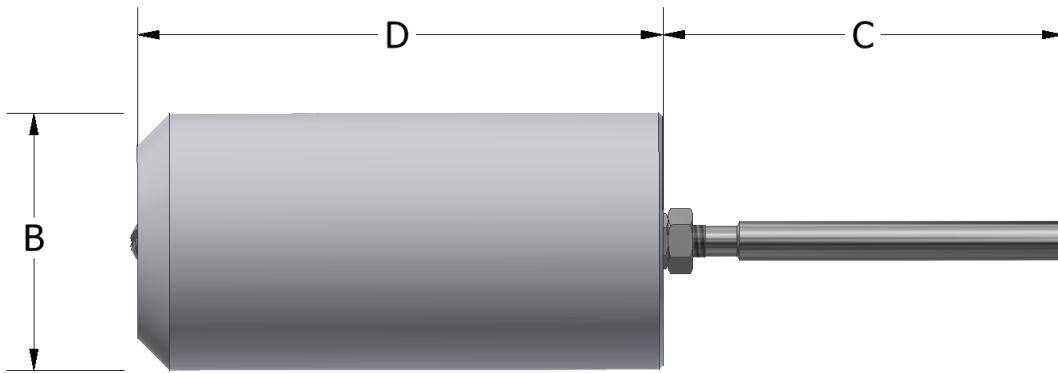
ORDERING CODE

BODY CODE: 39C2

PHONE: 504-340-0055
 FAX: 504-340-0056
 EMAIL: SALES@RUELCO.COM

1209 DISTRIBUTORS ROW
 NEW ORLEANS, LA 70123

POLYPROPYLENE 3" ROD



DIMENSIONS

B	2.00" (50.8 mm)
C	3.25" (82.6 mm)
D	4.10" (104.14 mm)

SPECIFICATIONS

MAXIMUM WORKING PRESSURE	2,160 PSI (149 BAR)
AMBIENT TEMPERATURE RANGE	-20 TO 250° F -29 TO 122° C
MAXIMUM PROCESS TEMPERATURE	200°F (93°C)

DISPLACERS

ORDERING CODE

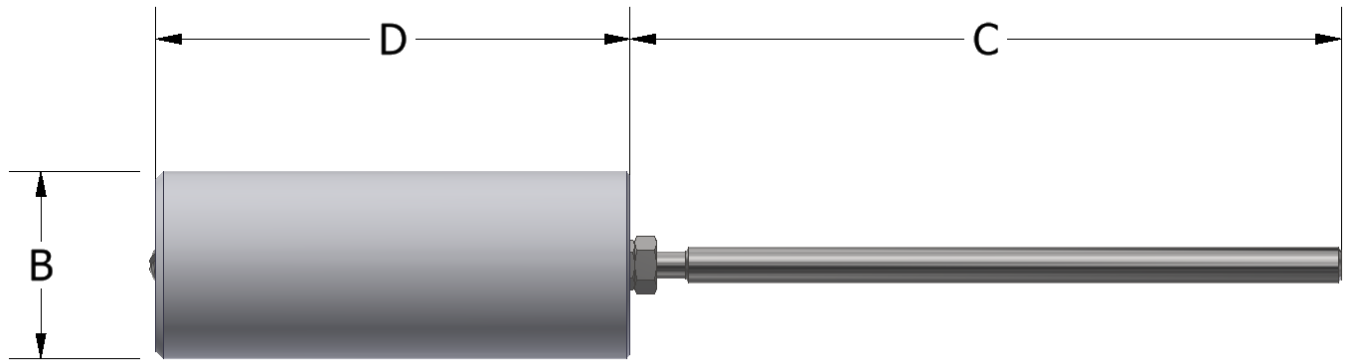
(BODY CODE) X P X E 30

Standard Corrosive Service -- (-) |
 N.A.C.E. option ---N |
 SPDT Electric Switch -- S |
 DPDT Electric Switch -- D |

PHONE: 504-340-0055
 FAX: 504-340-0056
 EMAIL: SALES@RUELCO.COM

1209 DISTRIBUTORS ROW
 NEW ORLEANS, LA 70123

POLYPROPYLENE 6" ROD



DIMENSIONS

B	1.62" (41.3 mm)
C	6.50" (165.1 mm)
D	4.10" (104.14 mm)

SPECIFICATIONS

MAXIMUM WORKING PRESSURE	2,160 PSI (149 BAR)
AMBIENT TEMPERATURE RANGE	-20 TO 250° F -29 TO 122° C
MAXIMUM PROCESS TEMPERATURE	200°F (93°C)

ORDERING CODE

(BODY CODE) X P X E 60

Standard Corrosive Service -- (-)

N.A.C.E. option ---N

SPDT Electric Switch -- S

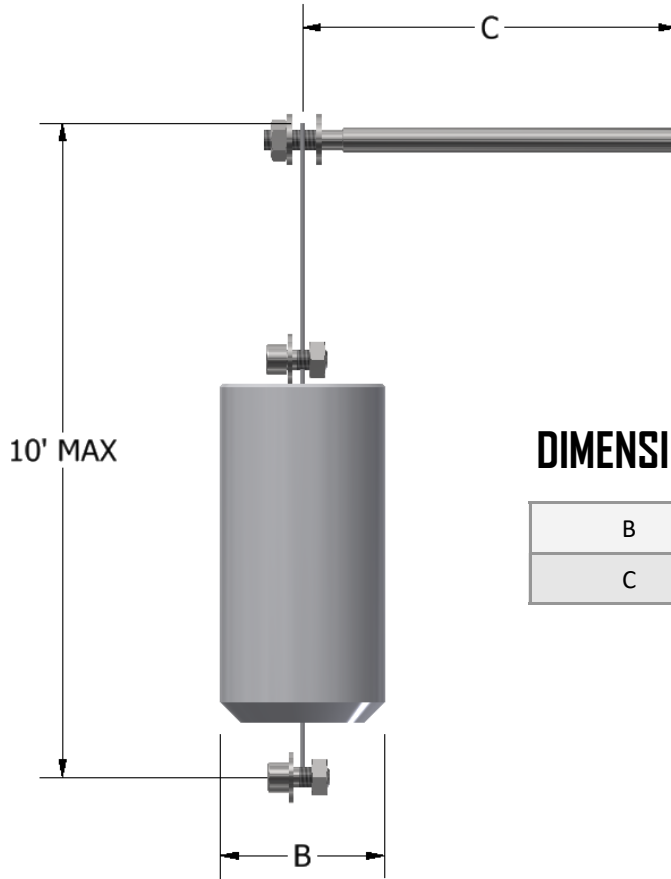
DPDT Electric Switch -- D

PHONE: 504-340-0055
 FAX: 504-340-0056
 EMAIL: SALES@RUELCO.COM

1209 DISTRIBUTORS ROW
 NEW ORLEANS, LA 70123

DISPLACERS

POLYPROPYLENE 10' HANGDOWN



DIMENSIONS

B	2.00" (50.8 mm)
C	4.50" (114.3 mm)

SPECIFICATIONS

MAXIMUM WORKING PRESSURE	2,160 PSI (149 BAR)
AMBIENT TEMPERATURE RANGE	-20 TO 250° F -29 TO 122° C
MAXIMUM PROCESS TEMPERATURE	200° F (93°C)

ORDERING CODE

(BODY CODE) X P X E 33

Standard Corrosive Service -- (-)

N.A.C.E. option ---N

SPDT Electric Switch -- S

DPDT Electric Switch -- D

PHONE: 504-340-0055
FAX: 504-340-0056
EMAIL: SALES@RUELCO.COM

1209 DISTRIBUTORS
ROW
NEW ORLEANS, LA 70123

DISPLACERS

POLYPROPYLENE EXTENDED ROD



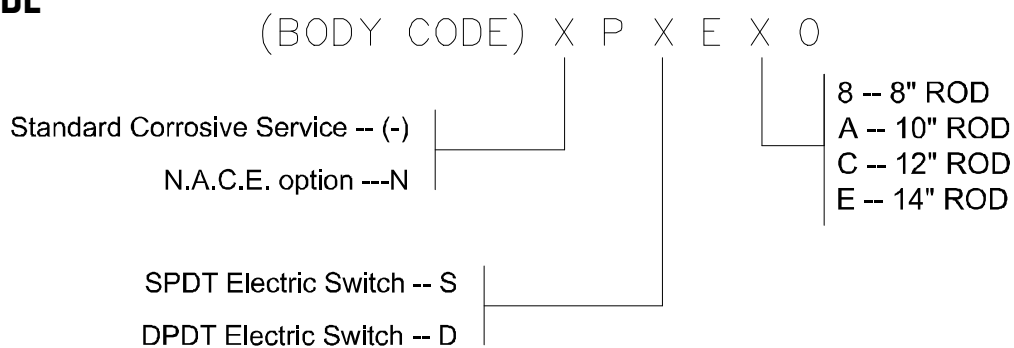
DIMENSIONS

	8" ROD	10" ROD	12" ROD	14" ROD
B	1.62" (41.3 mm)	1.62" (41.3 mm)	1.62" (41.3 mm)	1.50" (38.1 mm)
C	6.72" (170.7 mm)	9.95" (252.7 mm)	12.19" (309.6 mm)	13.75" (349.3 mm)
D	3.00" (76.2 mm)	2.55" (64.8 mm)	2.12" (53.8 mm)	2.30" (58.4 mm)

SPECIFICATIONS

MAXIMUM WORKING PRESSURE	2,160 PSI (149 BAR)
AMBIENT TEMPERATURE RANGE	-20 TO 250° F -29 TO 122° C
MAXIMUM PROCESS TEMPERATURE	200°F (93°C)

ORDERING CODE

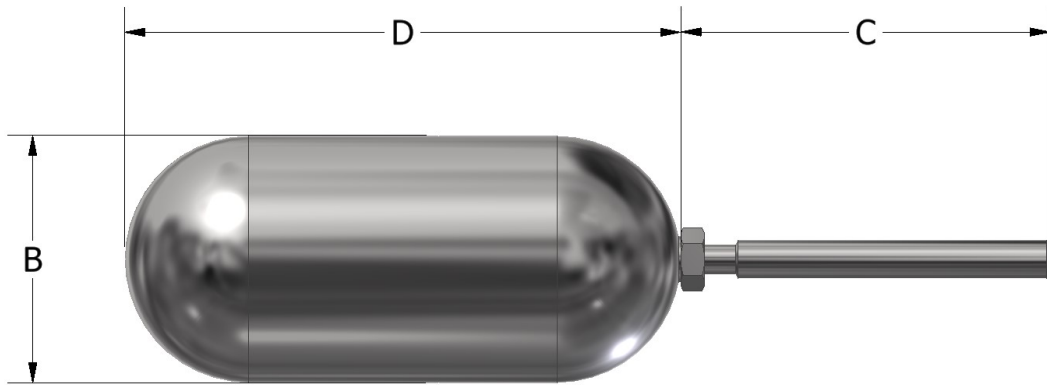


DISPLACERS

PHONE: 504-340-0055
FAX: 504-340-0056
EMAIL: SALES@RUELCO.COM

1209 DISTRIBUTORS ROW
NEW ORLEANS, LA 70123

316 ST. STL. 3" ROD



DIMENSIONS

B	2.00" (50.8 mm)
C	3.25" (82.6 mm)
D	4.50" (114.3 mm)

SPECIFICATIONS

MAXIMUM WORKING PRESSURE	2,160 PSI (149 BAR)
AMBIENT TEMPERATURE RANGE	-20 TO 300° F -29 TO 148° C
MAXIMUM PROCESS TEMPERATURE	300°F (148°C)

ORDERING CODE

(BODY CODE) X 6 X E 30

Standard Corrosive Service -- (-)

N.A.C.E. option ---N

SPDT Electric Switch -- S

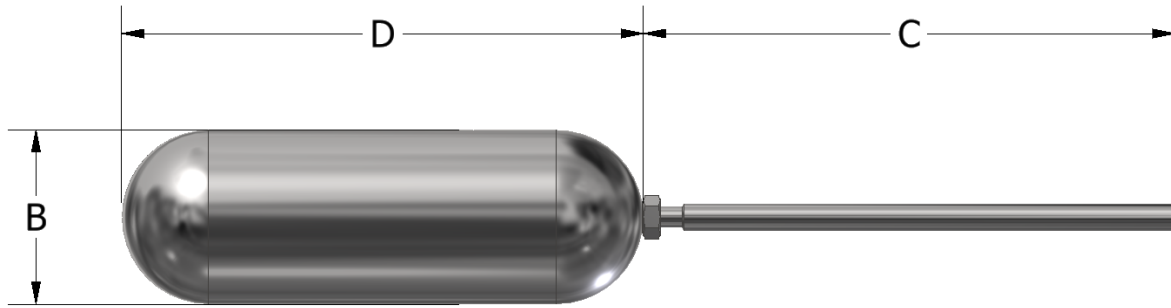
DPDT Electric Switch -- D

PHONE: 504-340-0055
 FAX: 504-340-0056
 EMAIL: SALES@RUELCO.COM

1209 DISTRIBUTORS ROW
 NEW ORLEANS, LA 70123

DISPLACERS

316 ST. STL. 6" ROD



DIMENSIONS

B	2.00" (50.8 mm)
C	6.50" (165.1 mm)
D	6.00" (152.4 mm)

SPECIFICATIONS

MAXIMUM WORKING PRESSURE	300 PSI (20.68 BAR)
AMBIENT TEMPERATURE RANGE	-20 TO 300° F -29 TO 148° C
MAXIMUM PROCESS TEMPERATURE	300°F (148°C)

ORDERING CODE

(BODY CODE)SA0002 X 6 X E 60

Standard Corrosive Service -- (-)

N.A.C.E. option ---N

SPDT Electric Switch -- S

DPDT Electric Switch -- D

PHONE: 504-340-0055
 FAX: 504-340-0056
 EMAIL: SALES@RUELCO.COM

1209 DISTRIBUTORS ROW
 NEW ORLEANS, LA 70123

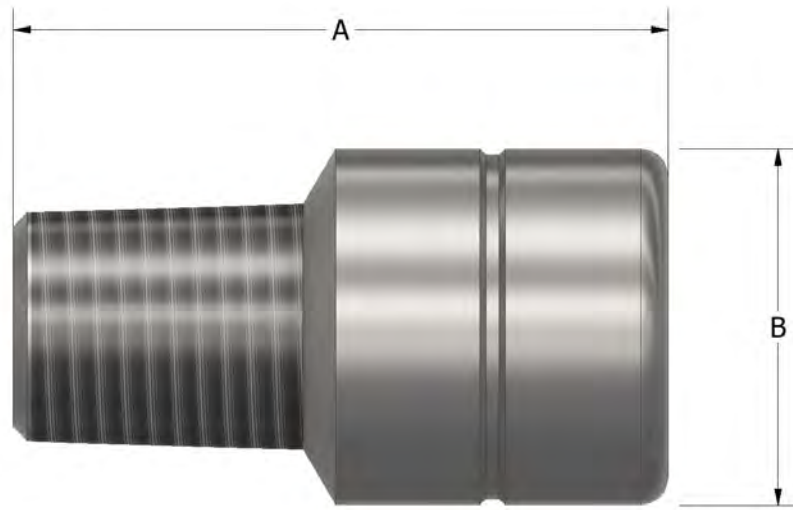
DISPLACERS

OPERATION

The Ruelco Orifice Nipple is a stainless steel female by male fixed diameter orifice fitting. It is machined within a $\pm.001''$ tolerance to provide precise flow control to any pneumatic or hydraulic system.

FEATURES

- 316 stainless steel construction (models to N.A.C.E. MR0175 available)
- Small compact design
- Exotic materials available



ORIFICE

DIMENSIONS/ SPECIFICATIONS

A	1.45" (36.8 mm)
PORT SIZE	1/4" NPT
WEIGHT	.11 LBS (.05 KG)

ORDERING CODE

90 - 00 X - 0A0

BASE MODEL NUMBER

1 -- .030" DIAMETER
2 -- .020" DIAMETER

PHONE: 504-340-0055
FAX: 504-340-0056
EMAIL: SALES@RUELCO.COM

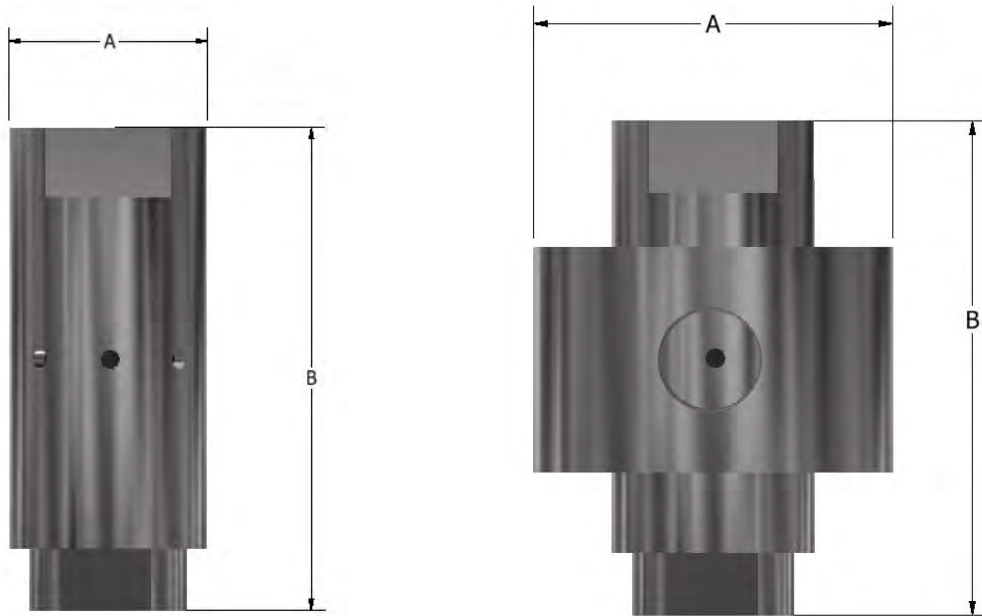
1209 DISTRIBUTORS ROW
NEW ORLEANS, LA 70123

OPERATION

The Ruelco EX-1 quick exhaust is designed to rapidly vent the control pressure from an actuator or other pneumatic device. It is typically used on safety valves, control valves, or other devices that must quickly respond when the control signals are removed. Its in-line design and three part construction make the quick exhaust easy to install and maintain. No special tools are needed for repair and assembly. The Ruelco EX-1 will improve equipment operation and reduce maintenance time.

FEATURES

- 316 stainless steel construction (models to N.A.C.E. MR0175 available)
- Durable polyurethane or fluorocarbon seal
- Large Cv factors produces large flow rates
- Small compact design
- No moving parts



SHOWN WITH OPTIONAL EXHAUST PORT

DIMENSIONS

A	.875" (22.1 mm)
A (WITH OPTIONAL EXHAUST PORT)	2.00" (50.8 mm)
B	2.80" (71.1 mm)
INLET AND OUTLET PORT SIZE	1/4" FNPT
OPTIONAL EXHAUST PORT	3/8" FNPT
WEIGHT	12.0 OZ (227 gm)

PHONE: 504-340-0055
FAX: 504-340-0056
EMAIL: SALES@RUELCO.COM

1209 DISTRIBUTORS ROW
NEW ORLEANS, LA 70123

PNEUMATIC QUICK EXHAUST

PARTS LIST

ITEM	QUANTITY	DESCRIPTION	MATERIAL
1	1	CENTER SPOOL	316 ST. STL.
2*	1	BLADDER	POLYURETHANE OR FLUOROCARBON
3A	1	BODY - STANDARD	316 ST. STL.
3B	-	BODY – 500 PSI	316 ST. STL.
4	1	THREADED EXHAUST PORT BODY	316 ST. STL.
5	1	SET SCREW	316 ST. STL.
6#	2	EXHAUST PORT SEAL	FLUOROCARBON

* INDICATES ITEMS IN THE STANDARD REPAIR KIT

INDICATES ADDITIONAL ITEMS IN THE OPTIONAL REPAIR KIT

SPECIFICATIONS

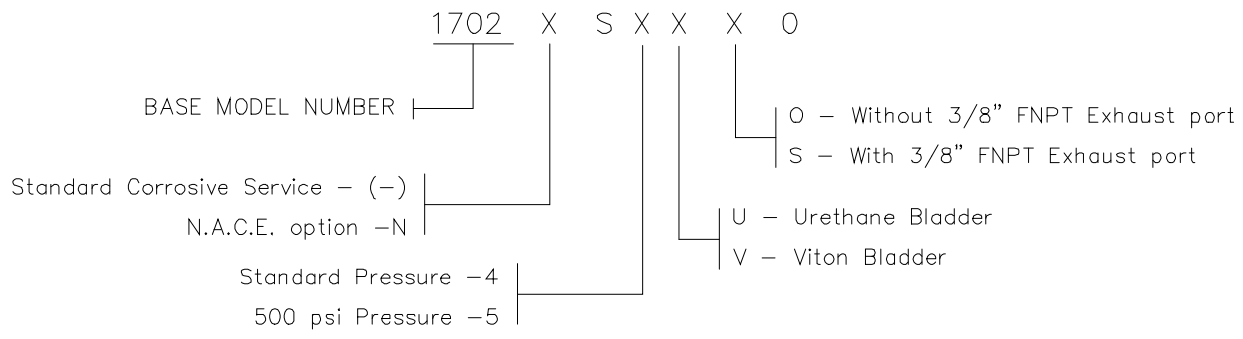
MAXIMUM WORKING PRESSURE	150 PSI (10.3 BAR)
HIGH PRESSURE BODY MAXIMUM WORKING PRESSURE	500 PSI (34.5 BAR)
POLYURETHANE BLADDER AMBIENT TEMPERATURE RANGE	-40 TO 180° F -40 TO 82° c
VITON BLADDER AMBIENT TEMPERATURE RANGE	-20 TO 250° F -29 TO 122° C
Cv FACTOR VENTING	2.75
Cv FACTOR INPUT	1.0

REPAIR KIT

- 17-004-000
- 17-006-000 WITH OPTIONAL EXHAUST PORT

OTHER TEMPERATURE RANGES AND SEAL COMPOUNDS AVAILABLE UPON REQUEST

ORDERING CODE

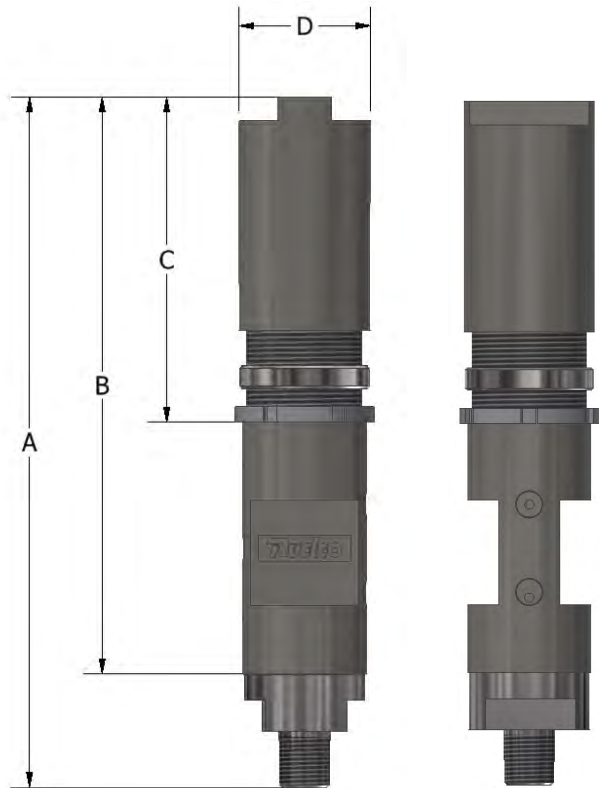


PHONE: 504-340-0055
 FAX: 504-340-0056
 EMAIL: SALES@RUELCO.COM

1209 DISTRIBUTORS ROW
 NEW ORLEANS, LA 70123

OPERATION

The Ruelco SS-1 Pneumatic Pressure Switch is a 3-way block - and-bleed valve that is operated by pressure acting on a piston opposing an adjustable spring force. It functions as either a normally closed or normally open valve, depending on which of the two inlet ports the instrument pressure is supplied. These ports are marked as HI IN and LO IN on the switch body. The output port, marked OUT on the switch body, is the same for either mode of operation. Pressure applied to the sense port will cause the valve to operate.



FEATURES

- 316 stainless steel construction (models to N.A.C.E MR0175 available)
- Standard base range 10-10,000 psi (with 1/4" piston option)
- Operating pressure range from .5 to 20,000 psi
- Pneumatic block-and-bleed 3-way valve
- Holds constant and accurate set points
- Designed for 1% plus or minus repeatability on set points
- Minimum deadband between trip and reset pressure
- Spring may be replaced with instrument and sensing pressure present in the sensor

DIMENSIONS

A (MAXIMUM)	11.75" (298.5 mm)
B (MAXIMUM)	9.93" (252.2 mm)
C (MAXIMUM)	6.13" (155.7 mm)
D	2.00" (50.8 mm)
PANEL MOUNT HOLE	1.875" (48 mm)
INSTRUMENT CONNECTION PORTS	1/4" FNPT

4102 PRESSURE SWITCH

PHONE: 504-340-0055
FAX: 504-340-0056
EMAIL: SALES@RUELCO.COM

1209 DISTRIBUTORS ROW
NEW ORLEANS, LA 70123

PARTS LIST

ITEM	QUANTITY	DESCRIPTION	MATERIAL
1	1	SPRING CAP	CF-8M ST. STL.
2	1	SPRING	ASTM-401 OR INCONEL
3	1	PARTS TUBE	ACETATE BUTYRATE
4	1	LOCK RING	316 ST. STL.
5	1	PANEL MOUNTING NUT (OPTIONAL)	CF-8M ST. STL.
6	1	SPRING PLATE	316 ST. STL.
7*	4	SHAFT O-RING	FLUOROCARBON
8*	1	CENTER SHAFT O-RING	FLUOROCARBON
9	1	SPOOL	316 ST. STL.
10	1	SHUTTLE	316 ST. STL.
11*	2	SHUTTLE O-RING	FLUOROCARBON
12	1	SLEEVE	316 ST. STL.
13*	2	SLEEVE O-RING	FLUOROCARBON
14	1	BODY	CF-8M ST. STL.
15*	1	PISTON SEAL	FLUOROCARBON

* INDICATES ITEMS IN THE REPAIR KIT

SPECIFICATIONS

VALVE TYPE	3 WAY
SET POINT DEVIATION	+/- 1%
DEADBAND	3% OF RANGE
MAXIMUM INSTRUMENT	60 PSI (4.14 BAR)
CV FACTOR	0.16
AMBIENT TEMPERATURE RANGE	-20 TO 250° F -29 TO 122° C

REPAIR KIT

- 41-016-0B0 (FOR STANDARD #1,#2,#3 BASE)

OTHER TEMPERATURE RANGES AND SEAL COMPOUNDS AVAILABLE UPON REQUEST

ORDERING CODE

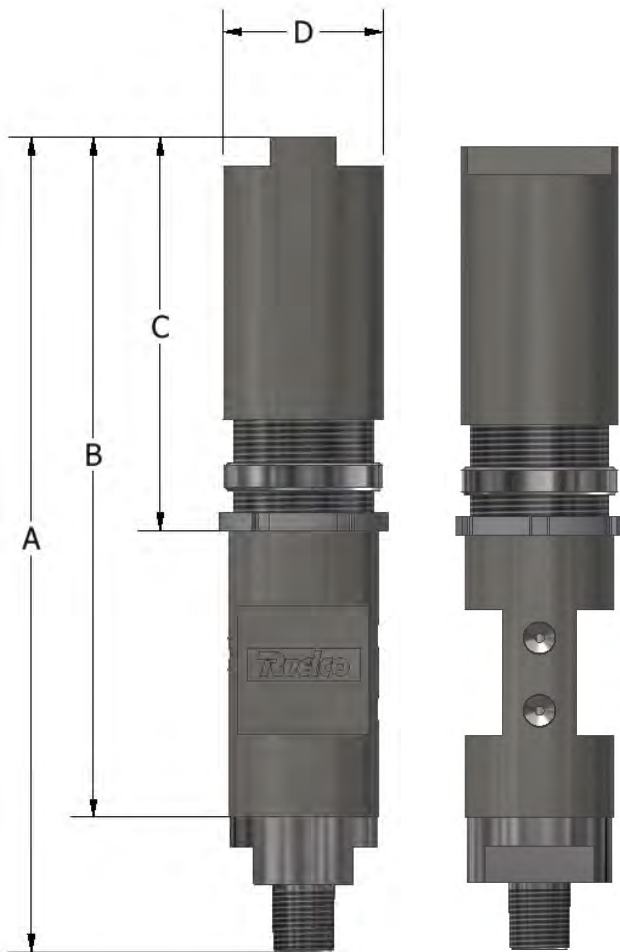
BODY CODE: 4102

PHONE: 504-340-0055
 FAX: 504-340-0056
 EMAIL: SALES@RUELCO.COM

1209 DISTRIBUTORS ROW
 NEW ORLEANS, LA 70123

OPERATION

The Ruelco SS-2 pneumatic pressure switch is a 3-way block-and-bleed valve that is operated by pressure acting on a piston opposing an adjustable spring force. It functions as either a normally closed or normally open valve, depending on which of the two inlet ports the instrument pressure is supplied. These ports are marked as HI IN and LO IN on the switch body. The output port, marked OUT on the switch body, is the same for either mode of operation. Pressure applied to the sense port will cause the valve to operate.



FEATURES

- 316 stainless steel construction (models to N.A.C.E MR0175 available)
- Standard base range 10-10,000 psi (with 1/4" piston option)
- Operating pressure range from .5 to 20,000 psi
- Pneumatic 3-way block-and-bleed valve
- Holds constant and accurate set points
- Designed for 1% plus or minus repeatability on set points
- Minimum deadband between trip and reset pressure
- Spring may be replaced with instrument and sensing pressure present in the sensor

DIMENSIONS

A (MAXIMUM)	11.75" (298.5 mm)
B (MAXIMUM)	9.93" (252.2 mm)
C (MAXIMUM)	6.13" (155.7 mm)
D	2.00" (50.8 mm)
PANEL MOUNT HOLE	1.875" (48 mm)
INSTRUMENT CONNECTION PORTS	1/4" FNPT

4202 PRESSURE SWITCH

PHONE: 504-340-0055
 FAX: 504-340-0056
 EMAIL: SALES@RUELCO.COM

1209 DISTRIBUTORS ROW
 NEW ORLEANS, LA 70123

PARTS LIST

ITEM	QUANTITY	DESCRIPTION	MATERIAL
1	1	SPRING CAP	CF-8M ST. STL.
2	1	SPRING	ASTM-401 OR INCONEL
3	1	PARTS TUBE	ACETATE BUTYRATE
4	1	LOCK RING	316 ST. STL.
5	1	PANEL MOUNTING NUT (OPTIONAL)	CF-8M ST. STL.
6	1	SPRING PLATE	316 ST. STL.
7	1	SPOOL	316 ST. STL.
8*	3	SHAFT O-RING	FLUOROCARBON
9	1	BODY	CF-8M ST. STL.
10*	1	PISTON SEAL	FLUOROCARBON

* INDICATES ITEMS IN THE REPAIR KIT

SPECIFICATIONS

VALVE TYPE	3 WAY
SET POINT DEVIATION	+/- 1%
DEADBAND	5% OF RANGE
MAXIMUM INSTRUMENT	150 PSI (10.3 BAR)
CV FACTOR	0.030
AMBIENT TEMPERATURE RANGE	-20 TO 250° F -29 TO 122° C

REPAIR KIT

- 42-003-0B0 (FOR STANDARD #1,#2,#3 BASE)

OTHER TEMPERATURE RANGES AND SEAL COMPOUNDS AVAILABLE UPON REQUEST

ORDERING CODE

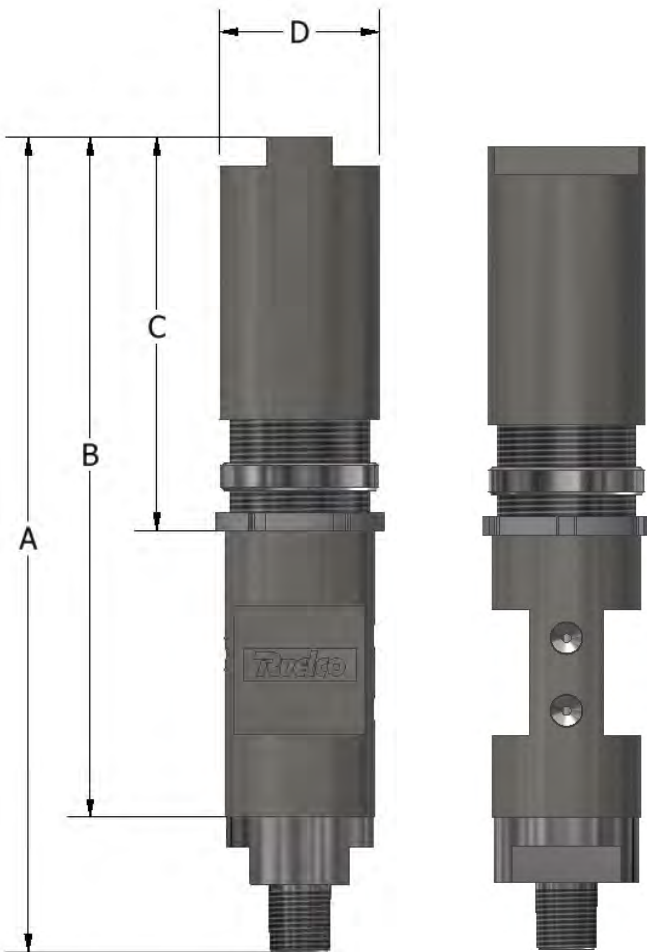
BODY CODE: 4202

PHONE: 504-340-0055
 FAX: 504-340-0056
 EMAIL: SALES@RUELCO.COM

1209 DISTRIBUTORS ROW
 NEW ORLEANS, LA 70123

OPERATION

The Ruelco SS-2 high flow hydraulic pressure switch is a 3-way block-and-bleed valve that is operated by pressure acting on a piston opposing an adjustable spring force. It functions as either a normally closed or normally open valve, depending on which of the two inlet ports the instrument pressure is supplied. These ports are marked as HI IN and LO IN on the switch body. The output port, marked OUT on the switch body, is the same for either mode of operation. Pressure applied to the sense port will cause the valve to operate.



FEATURES

- 316 stainless steel construction (models to N.A.C.E MR0175 available)
- Standard base range 10-10,000 psi (with 1/4" piston option)
- Operating pressure range from .5 to 20,000 psi
- Hydraulic block-and-bleed 3-way valve
- Holds constant and accurate set points
- Designed for 1% plus or minus repeatability on set points
- Minimum deadband between trip and reset pressure
- Spring may be replaced with instrument and sensing pressure present in the sensor

DIMENSIONS

A (MAXIMUM)	11.75" (298.5 mm)
B (MAXIMUM)	9.93" (252.2 mm)
C (MAXIMUM)	6.13" (155.7 mm)
D	2.00" (50.8 mm)
PANEL MOUNT HOLE	1.875" (48 mm)
INSTRUMENT CONNECTION PORTS	1/4" FNPT

4222 HIGH FLOW PRESSURE SWITCH

PHONE: 504-340-0055
 FAX: 504-340-0056
 EMAIL: SALES@RUELCO.COM

1209 DISTRIBUTORS ROW
 NEW ORLEANS, LA 70123

PARTS LIST

ITEM	QUANTITY	DESCRIPTION	MATERIAL
1	1	SPRING CAP	CF-8M ST. STL.
2	1	SPRING	ASTM-401 OR INCONEL
3	1	PARTS TUBE	ACETATE BUTYRATE
4	1	LOCK RING	316 ST. STL.
5	1	PANEL MOUNTING NUT (OPTIONAL)	CF-8M ST. STL.
6	1	SPRING PLATE	316 ST. STL.
7	1	SPOOL	316 ST. STL.
8*	3	SHAFT O-RING	FLUOROCARBON
9	1	BODY	CF-8M ST. STL.
10*	1	PISTON SEAL	FLUOROCARBON

* INDICATES ITEMS IN THE REPAIR KIT

SPECIFICATIONS

VALVE TYPE	3 WAY
SET POINT DEVIATION	+/- 1%
DEADBAND	5% OF RANGE
MAXIMUM HYDRAULIC	150 PSI (10.3 BAR)
Cv FACTOR	0.090
AMBIENT TEMPERATURE RANGE	-20 TO 250° F -29 TO 122° C

REPAIR KIT

- 42-003-0B0 (FOR STANDARD #1,#2,#3 BASE)

OTHER TEMPERATURE RANGES AND SEAL COMPOUNDS AVAILABLE UPON REQUEST

ORDERING CODE

BODY CODE: 4222

PHONE: 504-340-0055
 FAX: 504-340-0056
 EMAIL: SALES@RUELCO.COM

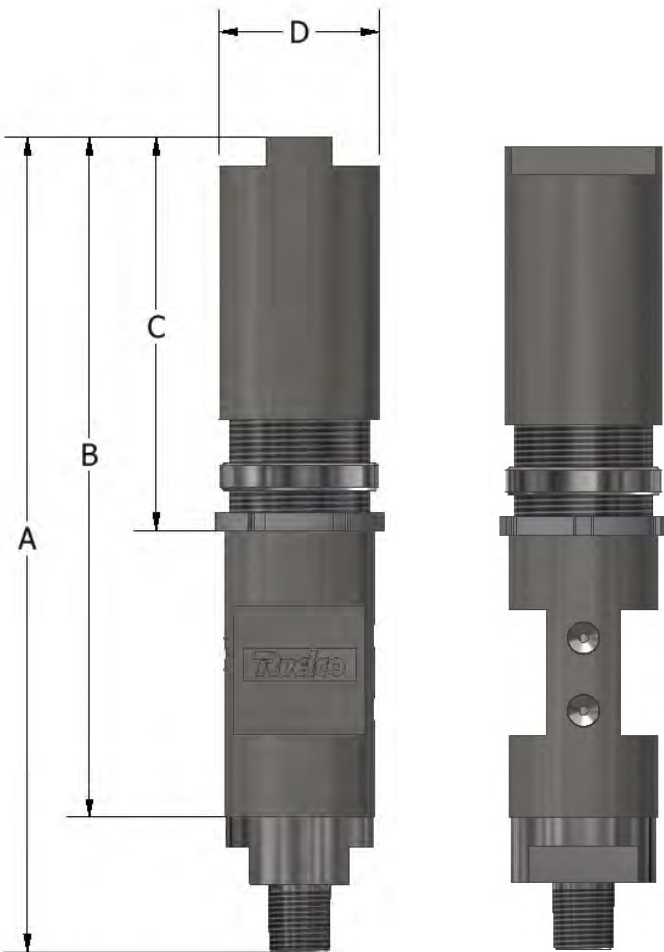
1209 DISTRIBUTORS ROW
 NEW ORLEANS, LA 70123

OPERATION

The Ruelco SS-2 high flow, high pressure hydraulic pressure switch is a 3-way block-and-bleed valve that is operated by pressure acting on a piston opposing an adjustable spring force. It functions as either a normally closed or normally open valve, depending on which of the two inlet ports the instrument pressure is supplied. These ports are marked as HI IN and LO IN on the switch body. The output port, marked OUT on the switch body, is the same for either mode of operation. Pressure applied to the sense port will cause the valve to operate.

FEATURES

- 316 stainless steel construction (models to N.A.C.E MR0175 available)
- Standard base range 10-10,000 psi (with 1/4" piston option)
- Operating pressure range from .5 to 20,000 psi
- Hydraulic block-and-bleed 3-way valve
- Holds constant and accurate set points
- Designed for 1% plus or minus repeatability on set points
- Minimum deadband between trip and reset pressure
- Spring may be replaced with instrument and sensing pressure present in the sensor



DIMENSIONS

A (MAXIMUM)	11.75" (298.5 mm)
B (MAXIMUM)	9.93" (252.2 mm)
C (MAXIMUM)	613" (155.7 mm)
D	2.00" (50.8 mm)
PANEL MOUNT HOLE	1.875" (48 mm)
INSTRUMENT CONNECTION PORTS	1/4" FNPT

4222H HIGH PRESSURE SWITCH

PHONE: 504-340-0055
 FAX: 504-340-0056
 EMAIL: SALES@RUELCO.COM

1209 DISTRIBUTORS ROW
 NEW ORLEANS, LA 70123

PARTS LIST

ITEM	QUANTITY	DESCRIPTION	MATERIAL
1	1	SPRING CAP	CF-8M ST. STL.
2	1	SPRING	ASTM-401 OR INCONEL
3	1	PARTS TUBE	ACETATE BUTYRATE
4	1	LOCK RING	316 ST. STL.
5	1	PANEL MOUNTING NUT (OPTIONAL)	CF-8M ST. STL.
6	1	SPRING PLATE	316 ST. STL.
7	1	SPOOL	316 ST. STL.
8*	2	SHAFT O-RING	FLUOROCARBON
9*	1	CENTER SHAFT SEAL	URETHANE
10	1	BODY	CF-8M ST. STL.
11*	1	PISTON SEAL	FLUOROCARBON

* INDICATES ITEMS IN THE REPAIR KIT

REPAIR KIT

- 42-030-0H0 (FOR STANDARD #1,#2,#3 BASE)

OTHER TEMPERATURE RANGES AND SEAL COMPOUNDS AVAILABLE UPON REQUEST

SPECIFICATIONS

VALVE TYPE	3 WAY
SET POINT DEVIATION	+/- 1%
DEADBAND	10% OF RANGE
MAXIMUM HYDRAULIC	1,500 PSI (103 BAR)
Cv FACTOR	0.090
AMBIENT TEMPERATURE RANGE	-20 TO 250° F -29 TO 122° C

ORDERING CODE

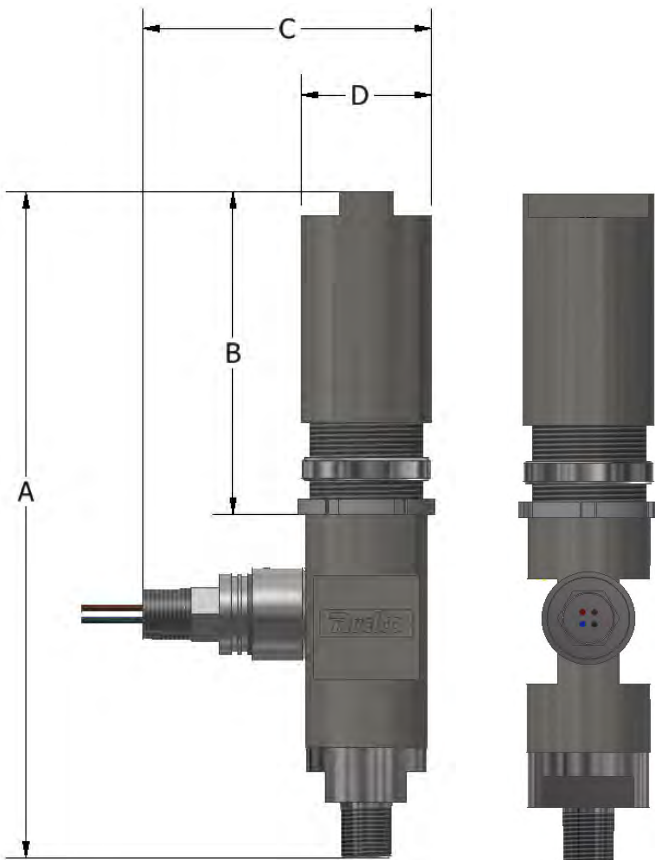
BODY CODE: 4222H

PHONE: 504-340-0055
 FAX: 504-340-0056
 EMAIL: SALES@RUELCO.COM

1209 DISTRIBUTORS ROW
 NEW ORLEANS, LA 70123

OPERATION

The Ruelco SS-E Electric Pressure Switch is a snap acting dry contact valve that is operated by pressure acting on a piston opposing an adjustable spring force. It functions as either a normally closed or normally open valve, depending on which of the electric leads are connected to the common. Pressure applied to the sense port will cause the valve to operate.



FEATURES

- 316 stainless steel construction (models to N.A.C.E MR0175 available).
- Standard base range 10-10,000 psi (with 1/4" piston option).
- Operating pressure range from .5 to 20,000 psi.
- Uses hermetically sealed, snap acting dry contact, explosion proof switch U.L. rated
- Holds constant and accurate set points
- Designed for 1% plus or minus repeatability on set points.
- Minimum deadband between trip and reset pressure.
- Spring may be replaced with instrument and sensing pressure present in the sensor.

DIMENSIONS

A (MAXIMUM)	11.75" (298.5 mm)
B (MAXIMUM)	6.13" (155.7 mm)
C	1.39" (35.3 mm)
D	2.00" (50.8 mm)
PANEL MOUNT HOLE	1.875" (48 mm)
ELECTRICAL CONNECTION	1/2" MNPT

4E02 PRESSURE SWITCH

PHONE: 504-340-0055
 FAX: 504-340-0056
 EMAIL: SALES@RUELCO.COM

1209 DISTRIBUTORS ROW
 NEW ORLEANS, LA 70123

ELECTRICAL OPERATION

LEAD	COLOR	RISING LEVEL	FALLING LEVEL
NO / NO2	BLUE / PURPLE	CLOSES	OPENS
NC / NC2	RED / BLACK	OPENS	CLOSES
C / C2	BROWN / YELLOW	COMMON LEADS	
GND	GREEN	GROUND	

ELECTRICAL SPECIFICATIONS

SPDT & DPDT SWITCH MAXIMUM VOLTAGE	250 VAC 28 VDC
SPDT & DPDT SWITCH AMPS @ MAXIMUM VOLTAGE	5 AMPS
AMBIENT TEMPERATURE RANGE	-20 TO 158° F

ELECTRICAL CERTIFICATIONS

UNDERWRITERS LABORATORIES	CLASS I, GROUPS A,B,C,D
UNDERWRITERS LABORATORIES	CLASS II, GROUPS E,F,G
ATEX	Ex d IIC

4E02 PRESSURE SWITCH

PHONE: 504-340-0055
 FAX: 504-340-0056
 EMAIL: SALES@RUELCO.COM

1209 DISTRIBUTORS ROW
 NEW ORLEANS, LA 70123

PARTS LIST

ITEM	QUANTITY	DESCRIPTION	MATERIAL
1	1	SPRING CAP	CF-8M ST. STL.
2	1	SPRING	ASTM-401 OR INCONEL
3	1	PARTS TUBE	ACETATE BUTYRATE
4	1	LOCK RING	316 ST. STL.
5	1	PANEL MOUNTING NUT (OPTIONAL)	CF-8M ST. STL.
6	1	SPRING PLATE	316 ST. STL.
7	1	SPOOL	316 ST. STL.
8*	1	SHAFT O-RING	FLUOROCARBON
9*	2	WEAR RING	DELTRIN
10	1	BODY	CF-8M ST. STL.
11*	1	PISTON SEAL	FLUOROCARBON
12	1	PUSH ROD ASSEMBLY	316 ST. STL.
13A	1	SPDT SWITCH ASSEMBLY	316 ST. STL.
13B	-	DPDT SWITCH ASSEMBLY	316 ST. STL.

* INDICATES ITEMS IN THE REPAIR KIT

SPECIFICATIONS

VALVE TYPE	SNAP ACTING ELECTRIC
SET POINT DEVIATION	+/- 1%
DEADBAND	5% OF RANGE
AMBIENT TEMPERATURE RANGE	-20 TO 250° F -29 TO 122° C

REPAIR KIT

- 4E-003-000 (FOR STANDARD #1,#2,#3 BASE)

OTHER TEMPERATURE RANGES AND SEAL COMPOUNDS AVAILABLE UPON REQUEST

ORDERING CODE

BODY CODE: 4E02

PHONE: 504-340-0055
 FAX: 504-340-0056
 EMAIL: SALES@RUELCO.COM

1209 DISTRIBUTORS ROW
 NEW ORLEANS, LA 70123

EXTERNAL SCALE

Any of the many Ruelco pressure switches can come with an external mounted and calibrated scale option. The scale allows the user to quickly and accurately adjust the pressure set point of the switch without the need for an additional testing or calibrating. Simply raise or lower the bottom of the lock ring to the desired pressure and adjust the cap until it meets the lock ring. The pressure switch is now set to the visible mark on the scale. The scale can be used for any field mounting or panel mounting situation.



ORDERING CODE

4 XX 3

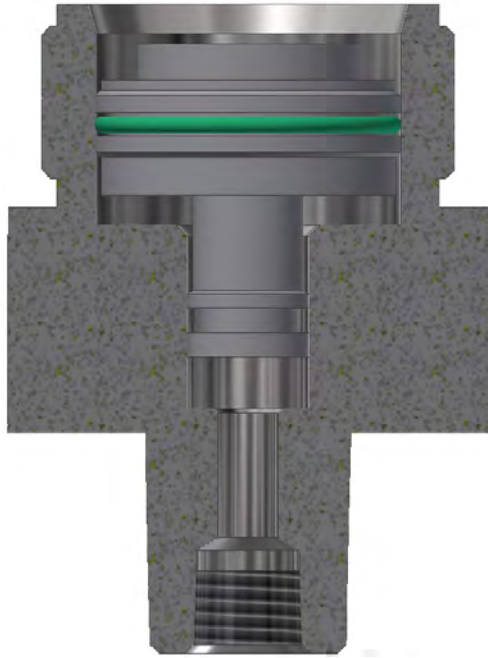
SS-1	----	(10)
SS-2 PNEUMATIC	----	(20)
SS-2 HYDRAULIC	----	(22)
SS-E	----	(E0)

EXTERNAL SCALE

PHONE: 504-340-0055
FAX: 504-340-0056
EMAIL: SALES@RUELCO.COM

1209 DISTRIBUTORS ROW
NEW ORLEANS, LA 70123

#1 BASE - 1-1/4" PISTON



RANGE CHART

SPRING CODE	RANGE
B (BLUE) - STANDARD	10 – 110 PSI
R (RED) - STANDARD	20 - 230 PSI
S (SILVER) - STANDARD	50—450 PSI

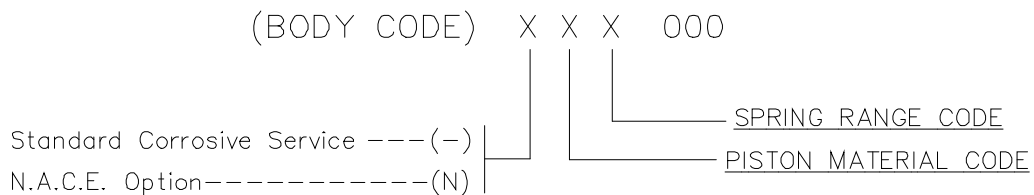
MATERIAL (PISTON AND BASE)

MATERIAL	PISTON CODE
316 ST. STL.	1
MONEL 400	6
INCONEL 625	B
HASTELLOY C-276	G
SUPER DUPLEX 2507	K
INCOLOY 825	P
DUPLEX 2205	U
6 MO 254	Y

SPECIFICATIONS

MAXIMUM OPERATION	10,000 PSI (690 BAR)
BURST PRESSURE	20,000 PSI (1380 BAR)
PROCESS CONNECTION	1/2" MNPT
PROCESS CONNECTION	1/4" FNPT

ORDERING CODE

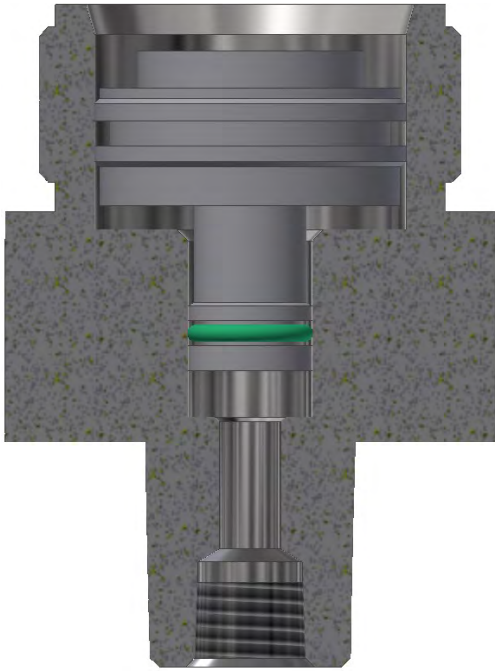


PHONE: 504-340-0055
 FAX: 504-340-0056
 EMAIL: SALES@RUELCO.COM

1209 DISTRIBUTORS ROW
 NEW ORLEANS, LA 70123

PRESSURE SWITCH BASE

#2 BASE - 1/2" PISTON



RANGE CHART

SPRING CODE	RANGE
B (BLUE) - STANDARD	200 – 750 PSI
G (GREEN) - INCONEL	(13.8 – 51.8 BAR)
R (RED) - STANDARD	500 - 1,500 PSI
Y (YELLOW) - INCONEL	(34.5- 103.5 BAR)
S (SILVER) - STANDARD	1,000—3,000 PSI
P (PURPLE) - INCONEL	(69—207 BAR)

SPECIFICATIONS

MAXIMUM OPERATION	10,000 PSI (690 BAR)
BURST PRESSURE	20,000 PSI (1380 BAR)
PROCESS CONNECTION	1/2" MNPT
PROCESS CONNECTION	1/4" FNPT

MATERIAL (PISTON AND BASE)

MATERIAL	PISTON CODE
316 ST. STL.	2
MONEL 400	7
INCONEL 625	C
HASTELLOY C-276	H
SUPER DUPLEX 2507	L
INCOLOY 825	Q
DUPLEX 2205	V
6 MO 254	Z

PRESSURE SWITCH BASE

ORDERING CODE

(BODY CODE) X X X 000

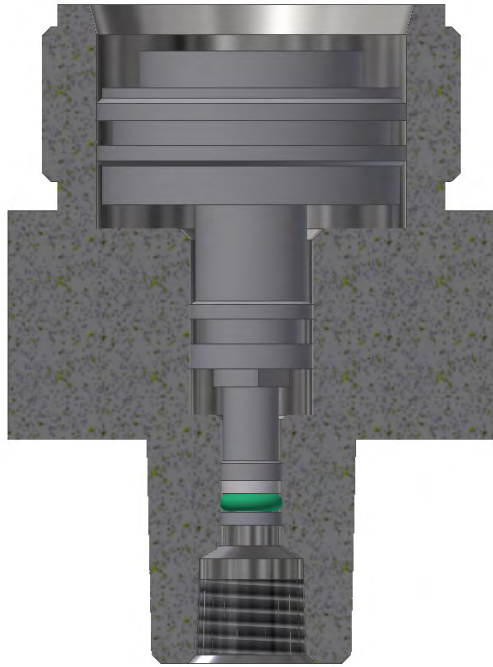
Standard Corrosive Service ---(-) | | |
 N.A.C.E. Option------(N) | | |

SPRING RANGE CODE
 PISTON MATERIAL CODE

PHONE: 504-340-0055
 FAX: 504-340-0056
 EMAIL: SALES@RUELCO.COM

1209 DISTRIBUTORS ROW
 NEW ORLEANS, LA 70123

#3 BASE - 1/4" PISTON



RANGE CHART

SPRING CODE	RANGE
B (BLUE) - STANDARD	1,000 – 3,000 PSI (69 – 207 BAR)
G (GREEN) - INCONEL	
R (RED) - STANDARD	2,000 - 5,000 PSI (138 - 345 BAR)
Y (YELLOW) - INCONEL	
S (SILVER) - STANDARD	5,000 - 10,000 PSI (345 - 690 BAR)
P (PURPLE) - INCONEL	

SPECIFICATIONS

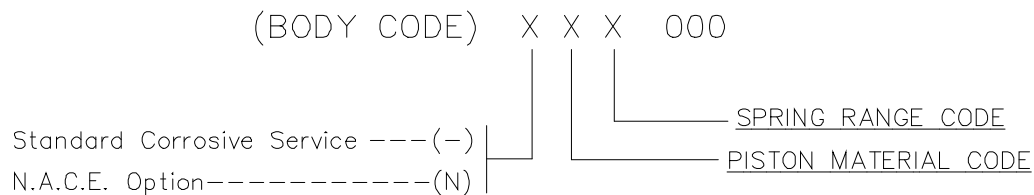
MAXIMUM OPERATION	10,000 PSI (690 BAR)
BURST PRESSURE	20,000 PSI (1380 BAR)
PROCESS CONNECTION	1/2" MNPT
PROCESS CONNECTION	1/4" FNPT

MATERIAL (PISTON AND BASE)

MATERIAL	PISTON CODE
316 ST. STL.	3
MONEL 400	8
INCONEL 625	D
HASTELLOY C-276	I
SUPER DUPLEX 2507	M
INCOLOY 825	R
DUPLEX 2205	W

PRESSURE SWITCH BASE

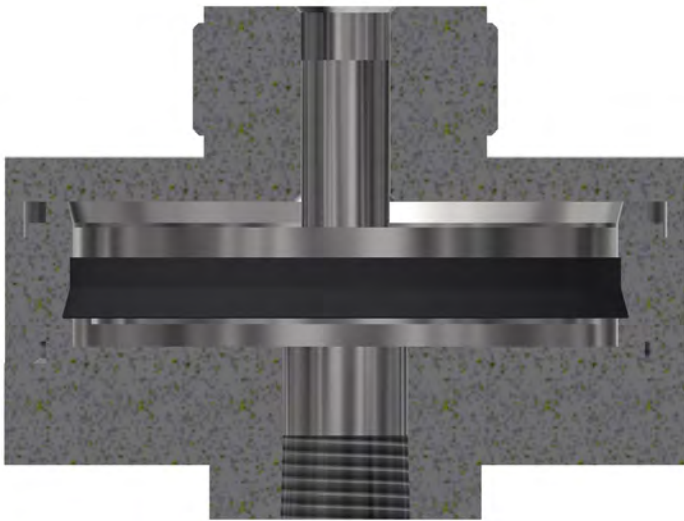
ORDERING CODE



PHONE: 504-340-0055
 FAX: 504-340-0056
 EMAIL: SALES@RUELCO.COM

1209 DISTRIBUTORS ROW
 NEW ORLEANS, LA 70123

#0 BASE - 3" PISTON



RANGE CHART

SPRING CODE	RANGE
B (BLUE) - STANDARD	.5 - 20 PSI
G (GREEN) - INCONEL	(.03 – 1.4 BAR)
R (RED) - STANDARD	4 - 40 PSI
Y (YELLOW) - INCONEL	(.3 - 2.75 BAR)
S (SILVER) - STANDARD	10 - 80 PSI
P (PURPLE) - INCONEL	(.7 - 5.5 BAR)

SPECIFICATIONS

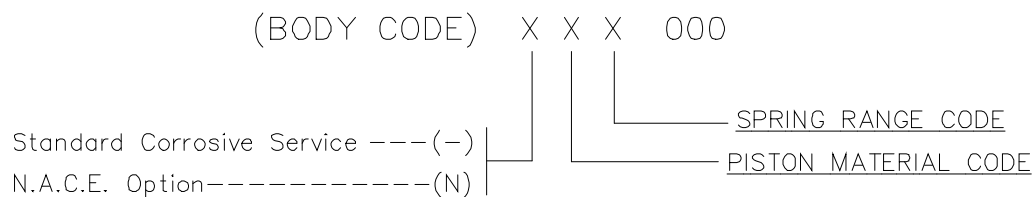
MAXIMUM OPERATION	5,000 PSI (345 BAR)
BURST PRESSURE	10,000 PSI (690 BAR)
PROCESS CONNECTION	1/2" FNPT

MATERIAL (PISTON AND BASE)

MATERIAL	PISTON CODE
316 ST. STL.	0
MONEL 400	5
INCONEL 625	A
HASTELLOY C-276	F
SUPER DUPLEX 2507	O
DUPLEX 2205	T

PRESSURE SWITCH BASE

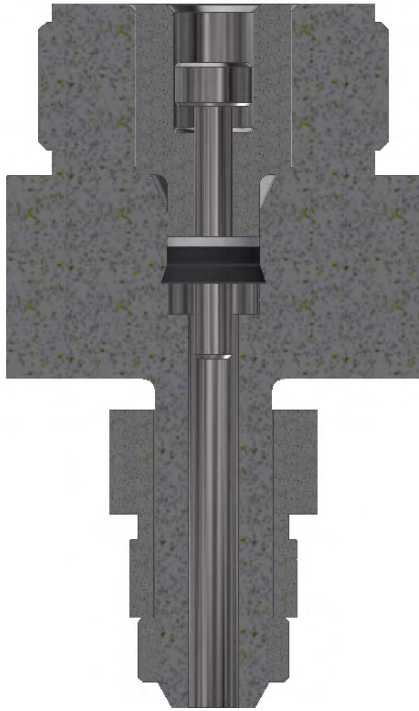
ORDERING CODE



PHONE: 504-340-0055
 FAX: 504-340-0056
 EMAIL: SALES@RUELCO.COM

1209 DISTRIBUTORS ROW
 NEW ORLEANS, LA 70123

#4 BASE - .187" PISTON



SPECIFICATIONS

MAXIMUM OPERATION	20,000 PSI (1380 BAR)
BURST PRESSURE	40,000 PSI (2760 BAR)
PROCESS CONNECTION	9/16" MP CONE

RANGE CHART

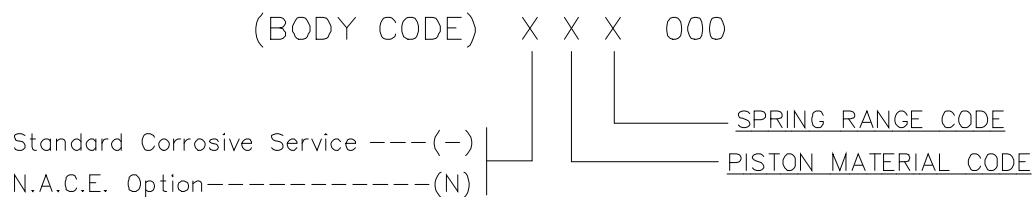
SPRING CODE	RANGE
B (BLUE) - STANDARD	2,000 - 5,000 PSI
G (GREEN) - INCONEL	(138 – 345 BAR)
R (RED) - STANDARD	3,500 - 9,000 PSI
Y (YELLOW) - INCONEL	(241 - 620 BAR)
S (SILVER) - STANDARD	8,500 - 20,000 PSI
P (PURPLE) - INCONEL	(586 - 1380 BAR)

MATERIAL (PISTON AND BASE)

MATERIAL	PISTON CODE
316 ST. STL.	4
MONEL 400	9
INCONEL 625	E
HASTELLOY C-276	J
SUPER DUPLEX 2507	N
DUPLEX 2205	X

PRESSURE SWITCH BASE

ORDERING CODE



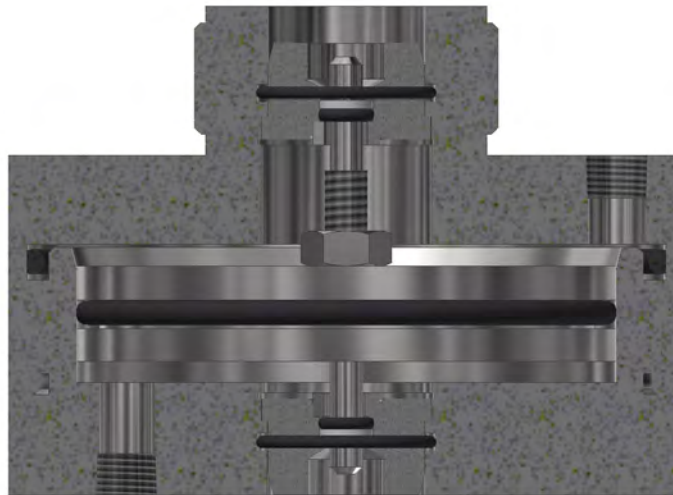
PHONE: 504-340-0055
 FAX: 504-340-0056
 EMAIL: SALES@RUELCO.COM

1209 DISTRIBUTORS ROW
 NEW ORLEANS, LA 70123

DIFFERENTIAL - 3" PISTON

OPERATION

The Ruelco Differential Base allows any of the Ruelco pressure bodies to measure the pressure difference between the upper and lower ports. Depending on the instrument ports used, the base allows for a rising or falling pressure difference set point. Typical use would be to connect the upstream and downstream connections to the base in order to determine an undesired pressure drop or a clogged filter pressure build and to activate the safety switch.



PRESSURE SWITCH BASE

RANGE CHART

SPRING CODE	RANGE
B (BLUE) - STANDARD	.5 - 20 PSI
G (GREEN) - INCONEL	(.03 – 1.4 BAR)
R (RED) - STANDARD	4 - 40 PSI
Y (YELLOW) - INCONEL	(.3 - 2.75 BAR)
S (SILVER) - STANDARD	10 - 80 PSI
P (PURPLE) - INCONEL	(.7 - 5.5 BAR)

SPECIFICATIONS

MAXIMUM OPERATION PRESSURE	2,000 PSI (138 BAR)
MAXIMUM DIFFERENTIAL PRESSURE	1,500 PSI (103 BAR)
PROCESS CONNECTION	1/8" FNPT

PHONE: 504-340-0055
FAX: 504-340-0056
EMAIL: SALES@RUELCO.COM

1209 DISTRIBUTORS ROW
NEW ORLEANS, LA 70123

DIFFERENTIAL - 3" PISTON

PARTS LIST

ITEM	QUANTITY	DESCRIPTION	MATERIAL
1	1	UPPER HOUSING	17-4 PH ST. STL.
2	1	LOWER HOUSING	17-4 PH ST. STL.
3*	1	BODY SEAL	FLUOROCARBON
4*	1	PISTON SEAL	FLUOROCARBON
5	1	PISTON	17-4 PH ST. STL.
6*	2	GUIDE SLEEVE SEALS	FLUOROCARBON
7	2	GUIDE SLEEVE	316 ST. STL.
8	2	SEAL RETAINER	FLUOROCARBON
9*	2	SPOOL SEALS	FLUOROSILICON
10**	2	SPOOL SEAL BACKUP	TEFLON
11	2	RETAINER RING	316 ST. STL.
12	1	SPOOL	17-4 PH ST. STL.
13*	1	PISTON/ SPOOL SEAL	FLUOROCARBON
14	1	LOCK WASHER	316 ST. STL.
15	1	HEX NUT	316 ST. STL.

PRESSURE SWITCH BASE

ORDERING CODE

(BODY CODE) X D X 000

Standard Corrosive Service ---(-) |
 N.A.C.E. Option------(N) |

SPRING RANGE CODE

REPAIR KIT

- 4D-008-000

OTHER TEMPERATURE RANGES AND SEAL COMPOUNDS AVAILABLE UPON REQUEST

PHONE: 504-340-0055
 FAX: 504-340-0056
 EMAIL: SALES@RUELCO.COM

1209 DISTRIBUTORS ROW
 NEW ORLEANS, LA 70123

OPERATION

The Ruelco High/ Low Pressure Switch Assembly is a fully function safety system in a small compact package. It combines the pressure switches together in a pneumatic circuit to provide protection against a rise or drop in process pressure outside of the desired range. Simply connect the process pressure to the manifold, the instrument pressure to the low inlet, and the outlet to any pneumatic shutdown device. Instrument pressure will be supplied through the system when the process pressure is within the desired range. If process pressure deviates from the predetermined set point, the pressure switches will automatically act, venting the outlet signal and shutting the control valve. All fittings and manifolds are 316 stainless steel and every unit is pressure tested prior to leaving our facility.



FEATURES

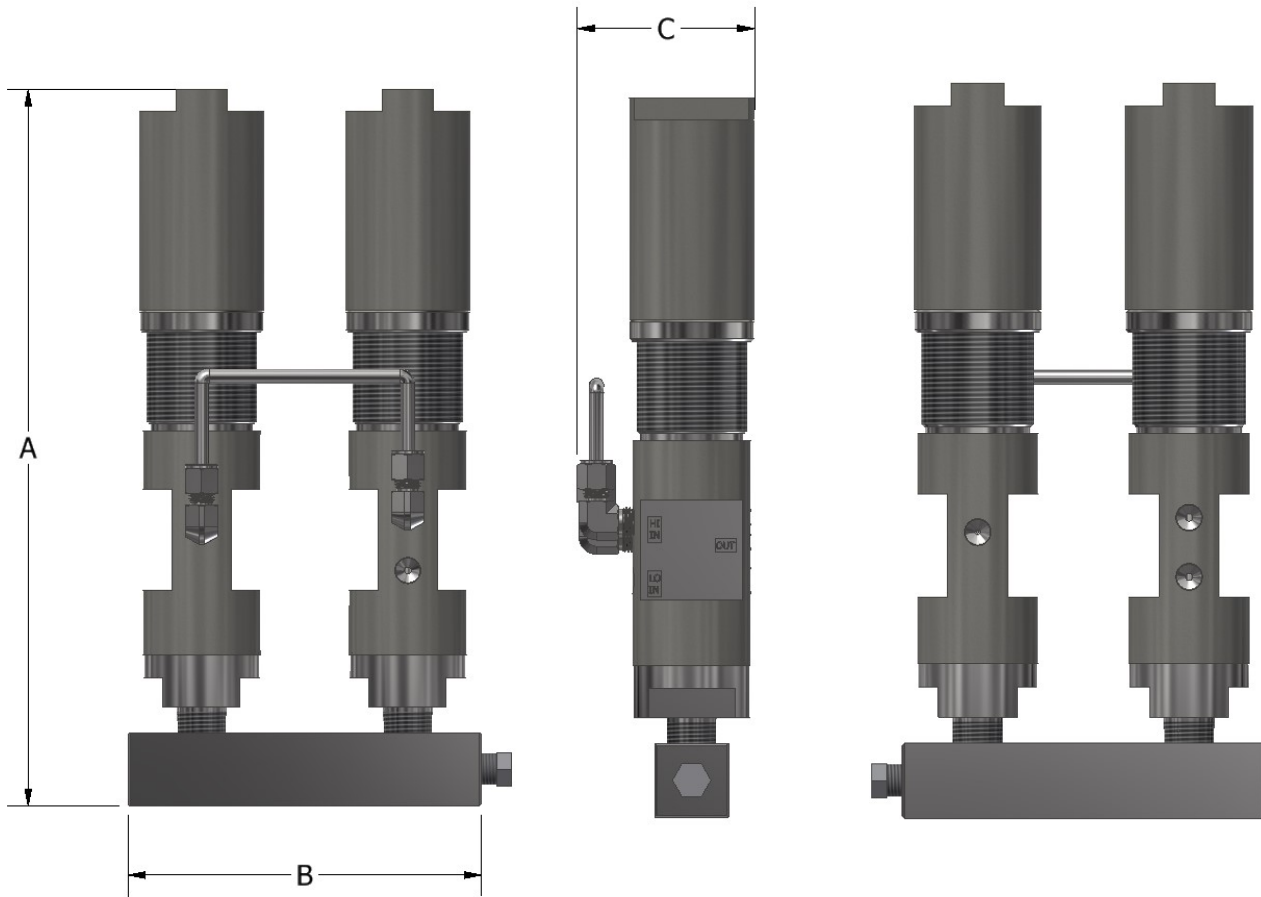
- 316 stainless steel construction (models to N.A.C.E MRO175 available)
- Standard base range 10-10,000 psi (with 1/4" piston option)
- Operating pressure range from .5 to 20,000 psi
- Holds constant and accurate set points
- Designed for 3% plus or minus repeatability on set points
- Minimum deadband between trip and reset pressure
- Spring may be replaced with instrument and sensing pressure present in the sensor

PRESSURE SWITCH ASSEMBLY

PHONE: 504-340-0055
FAX: 504-340-0056
EMAIL: SALES@RUELCO.COM

1209 DISTRIBUTORS ROW
NEW ORLEANS, LA 70123

PRESSURE SWITCH ASSEMBLY



DIMENSIONS

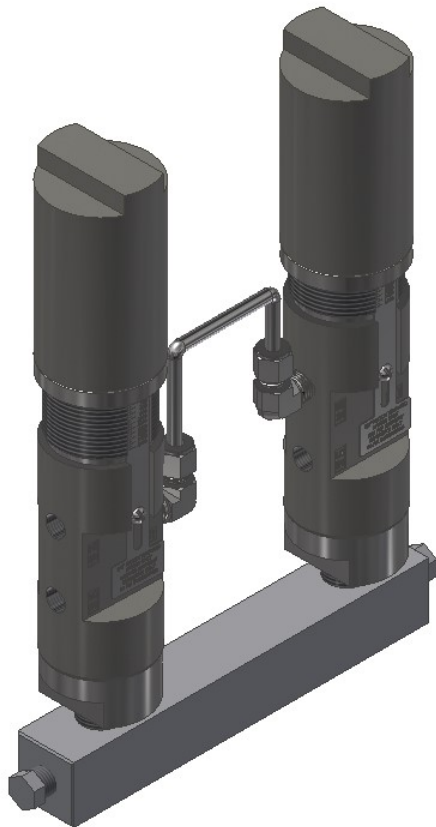
A (MAXIMUM)	12.85" (326.4 mm)
B	6.00" (152.4 mm)
C	3.00" (76.2 mm)
INSTRUMENT CONNECTION PORTS	1/4" FNPT
BOTTOM PROCESS CONNECTION	1/2" FNPT
SIDE TEST CONNECTION	1/4" FNPT

PHONE: 504-340-0055
 FAX: 504-340-0056
 EMAIL: SALES@RUELCO.COM

1209 DISTRIBUTORS ROW
 NEW ORLEANS, LA 70123

OPERATION

The Ruelco High/ Low Pressure Switch Assembly with Scaled is a fully function safety system in a small compact package. It combines the pressure switches together in a pneumatic circuit to provide protection against a rise or drop in process pressure outside of the desired range. Simply connect the process pressure to the manifold, the instrument pressure to the low inlet, and the outlet to any pneumatic shutdown device. Instrument pressure will be supplied through the system when the process pressure is within the desired range. If process pressure deviates from the predetermined set point, the pressure switches will automatically act, venting the outlet signal and shutting the control valve. All fittings and manifolds are 316 stainless steel and every unit is pressure tested prior to leaving our facility.



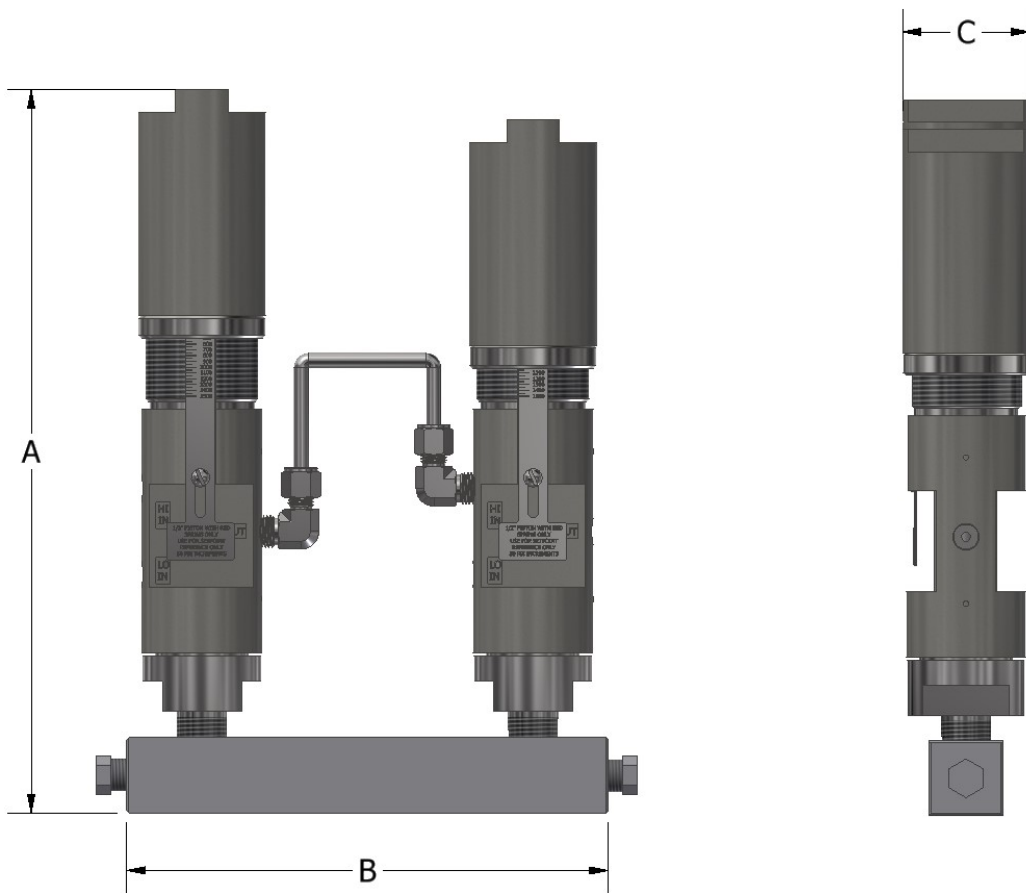
FEATURES

- 316 stainless steel construction (models to N.A.C.E MR0175 available)
- Standard base range 10-10,000 psi (with 1/4" piston option)
- Operating pressure range from .5 to 20,000 psi
- Holds constant and accurate set points
- Designed for 3% plus or minus repeatability on set points
- Minimum deadband between trip and reset pressure
- Spring may be replaced with instrument and sensing pressure present in the sensor

PRESSURE SWITCH ASSEMBLY-SCALED

PHONE: 504-340-0055
FAX: 504-340-0056
EMAIL: SALES@RUELCO.COM

1209 DISTRIBUTORS ROW
NEW ORLEANS, LA 70123



PRESSURE SWITCH ASSEMBLY-SCALED

DIMENSIONS

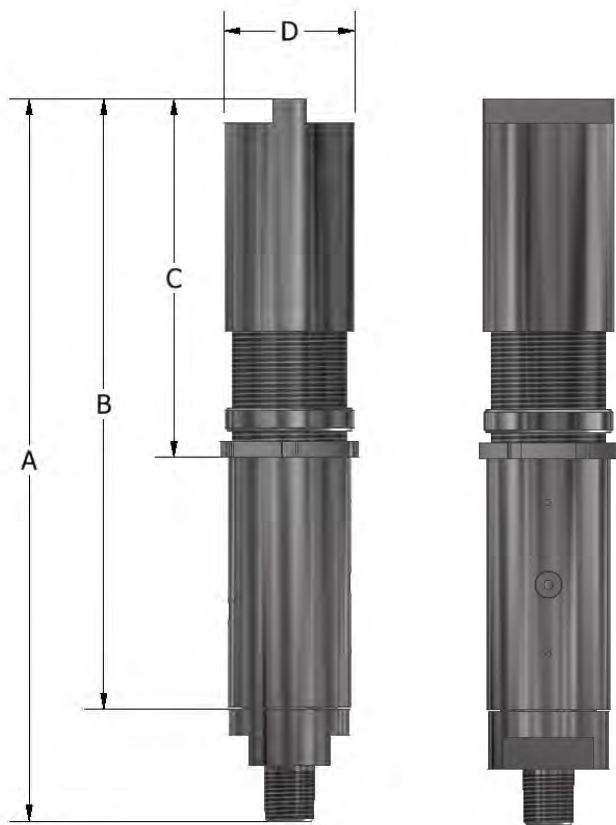
A (MAXIMUM)	12.85" (326.4 mm)
B	8.00" (304.8 mm)
C	2.12" (53.8 mm)
INSTRUMENT CONNECTION PORTS	1/4" FNPT
BOTTOM PROCESS CONNECTION	1/2" FNPT
SIDE TEST CONNECTIONS	1/4" FNPT

PHONE: 504-340-0055
 FAX: 504-340-0056
 EMAIL: SALES@RUELCO.COM

1209 DISTRIBUTORS ROW
 NEW ORLEANS, LA 70123

OPERATION

The Ruelco SS-H High Pressure Hydraulic pressure switch is a 2-way bleed only valve that is operated by pressure acting on a piston opposing an adjustable spring force. The High switch will function as a normally closed valve, which will vent the instrument signal when the process pressure reaches the set point. The valve will then reset after the process pressure has dropped below the deadband range of the pressure switch.



FEATURES

- 316 stainless steel construction (models to N.A.C.E MR0175 available)
- Standard base range 10-10,000 psi (with 1/4" piston option)
- Operating pressure range from .5 to 20,000 psi
- Up to 6,000 psi instrument signal
- Holds constant and accurate set points
- Designed for 3% plus or minus repeatability on set points
- Minimum deadband between trip and reset pressure
- Spring may be replaced with instrument and sensing pressure present in the sensor

DIMENSIONS

A (MAXIMUM)	12.08" (306.8 mm)
B (MAXIMUM)	10.26" (260.6 mm)
C (MAXIMUM)	6.13" (155.7 mm)
D	2.12" (53.8 mm)
PANEL MOUNT HOLE	1.875" (48 mm)
INSTRUMENT CONNECTION PORTS	1/4" FNPT

PHONE: 504-340-0055
 FAX: 504-340-0056
 EMAIL: SALES@RUELCO.COM

1209 DISTRIBUTORS ROW
 NEW ORLEANS, LA 70123

PARTS LIST

ITEM	QUANTITY	DESCRIPTION	MATERIAL
1	1	SPRING CAP	316 ST. STL.
2	1	SPRING	ASTM-401 OR INCONEL
3	1	PARTS TUBE	ACETATE BUTYRATE
4	1	LOCK RING	316 ST. STL.
5	1	PANEL MOUNTING NUT (OPTIONAL)	CF-8M ST. STL.
6	1	SPRING PLATE	316 ST. STL.
7	1	SPOOL	17-4 PH ST. STL.
8*	2	OUTER SPOOL SEALS	NITRILE
9*	1	CENTER SPOOL SEAL	URETHANE
10	1	TOP SLEEVE	17-4 PH ST. STL.
11*	2	TOP SLEEVE SEALS	NITRILE
12	1	BOTTOM SLEEVE	316 ST. STL.
13*	2	BOTTOM SLEEVE SEALS	NITRILE
14	1	BODY	316 ST. STL.
15*	1	PISTON SEAL	FLUOROCARBON

* INDICATES ITEMS IN THE REPAIR KIT

SPECIFICATIONS

VALVE TYPE	2 WAY
SET POINT DEVIATION	+/- 3%
DEADBAND	10% OF RANGE
MAXIMUM HYDRAULIC INSTRUMENT PRESSURE	6,000 PSI (414 BAR)
Cv FACTOR	.12
AMBIENT TEMPERATURE RANGE	-20 TO 250° F -29 TO 122° C

REPAIR KIT

- 4H-005-0B0 (FOR STANDARD #1,#2,#3 BASE)

OTHER TEMPERATURE RANGES AND SEAL COMPOUNDS AVAILABLE UPON REQUEST

ORDERING CODE

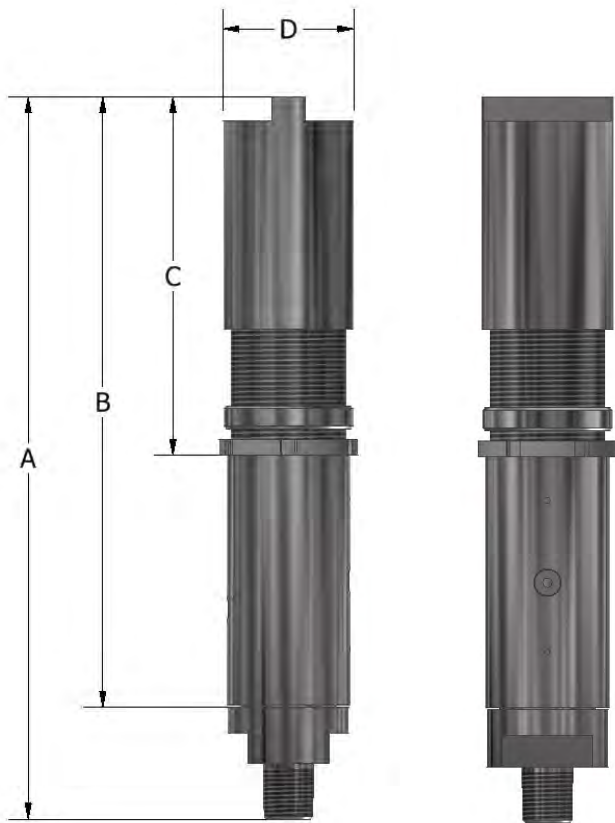
BODY CODE: 4HH2

PHONE: 504-340-0055
 FAX: 504-340-0056
 EMAIL: SALES@RUELCO.COM

1209 DISTRIBUTORS ROW
 NEW ORLEANS, LA 70123

OPERATION

The Ruelco SS-H High Pressure Hydraulic pressure switch is a 2-way bleed only valve that is operated by pressure acting on a piston opposing an adjustable spring force. The Low switch will function as a normally closed valve, which will vent the instrument signal when the process pressure drops below the set point. The valve will then reset after the process pressure has risen above the deadband range of the pressure switch.



FEATURES

- 316 stainless steel construction (models to N.A.C.E MR0175 available)
- Standard base range 10-10,000 psi (with 1/4" piston option)
- Operating pressure range from .5 to 20,000 psi
- Up to 6,000 psi instrument signal
- Holds constant and accurate set points
- Designed for 3% plus or minus repeatability on set points
- Minimum deadband between trip and reset pressure
- Spring may be replaced with instrument and sensing pressure present in the sensor

DIMENSIONS

A (MAXIMUM)	12.08" (306.8 mm)
B (MAXIMUM)	10.26" (260.6 mm)
C (MAXIMUM)	6.13" (155.7 mm)
D	2.12" (53.8 mm)
PANEL MOUNT HOLE	1.875" (48 mm)
INSTRUMENT CONNECTION PORTS	1/4" FNPT

PHONE: 504-340-0055
 FAX: 504-340-0056
 EMAIL: SALES@RUELCO.COM

1209 DISTRIBUTORS ROW
 NEW ORLEANS, LA 70123

PARTS LIST

ITEM	QUANTITY	DESCRIPTION	MATERIAL
1	1	SPRING CAP	316 ST. STL.
2	1	SPRING	ASTM-401 OR INCONEL
3	1	PARTS TUBE	ACETATE BUTYRATE
4	1	LOCK RING	316 ST. STL.
5	1	PANEL MOUNTING NUT (OPTIONAL)	CF-8M ST. STL.
6	1	SPRING PLATE	316 ST. STL.
7	1	SPOOL	17-4 PH ST. STL.
8*	2	OUTER SPOOL SEALS	NITRILE
9*	1	CENTER SPOOL SEAL	URETHANE
10	1	TOP SLEEVE	17-4 PH ST. STL.
11*	2	TOP SLEEVE SEALS	NITRILE
12	1	BOTTOM SLEEVE	316 ST. STL.
13*	2	BOTTOM SLEEVE SEALS	NITRILE
14	1	BODY	316 ST. STL.
15*	1	PISTON SEAL	FLUOROCARBON

* INDICATES ITEMS IN THE REPAIR KIT

SPECIFICATIONS

VALVE TYPE	2 WAY
SET POINT DEVIATION	+/- 3%
DEADBAND	10% OF RANGE
MAXIMUM HYDRAULIC INSTRUMENT PRESSURE	6,000 PSI (414 BAR)
Cv FACTOR	.12
AMBIENT TEMPERATURE RANGE	-20 TO 250° F -29 TO 122° C

REPAIR KIT

- 4H-005-0B0 (FOR STANDARD #1,#2,#3 BASE)

OTHER TEMPERATURE RANGES AND SEAL COMPOUNDS AVAILABLE UPON REQUEST

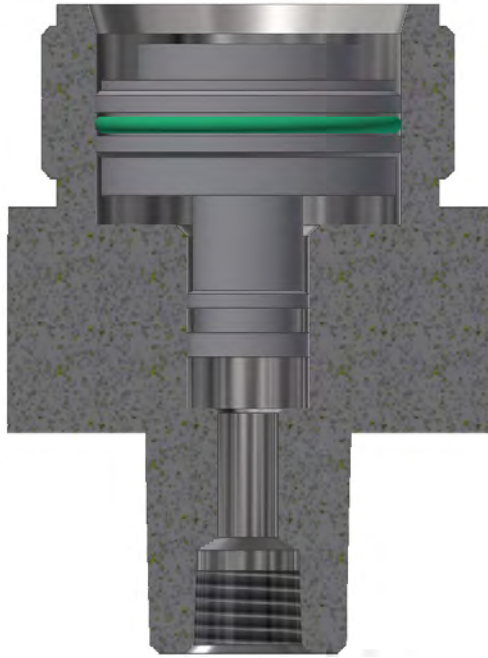
ORDERING CODE

BODY CODE: 4HL2

PHONE: 504-340-0055
 FAX: 504-340-0056
 EMAIL: SALES@RUELCO.COM

1209 DISTRIBUTORS ROW
 NEW ORLEANS, LA 70123

#1 BASE - 1-1/4" PISTON



RANGE CHART

SPRING CODE	RANGE
B (BLUE) - STANDARD	10 – 110 PSI
R (RED) - STANDARD	20 - 230 PSI
S (SILVER) - STANDARD	50—450 PSI

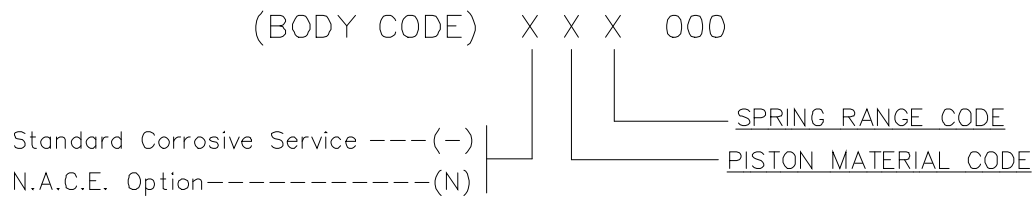
MATERIAL (PISTON AND BASE)

MATERIAL	PISTON CODE
316 ST. STL.	1
MONEL 400	6
INCONEL 625	B
HASTELLOY C-276	G
SUPER DUPLEX 2507	K
INCOLOY 825	P
DUPLEX 2205	U
6 MO 254	Y

SPECIFICATIONS

MAXIMUM OPERATION	10,000 PSI (690 BAR)
BURST PRESSURE	20,000 PSI (1380 BAR)
PROCESS CONNECTION	1/2" MNPT
PROCESS CONNECTION	1/4" FNPT

ORDERING CODE

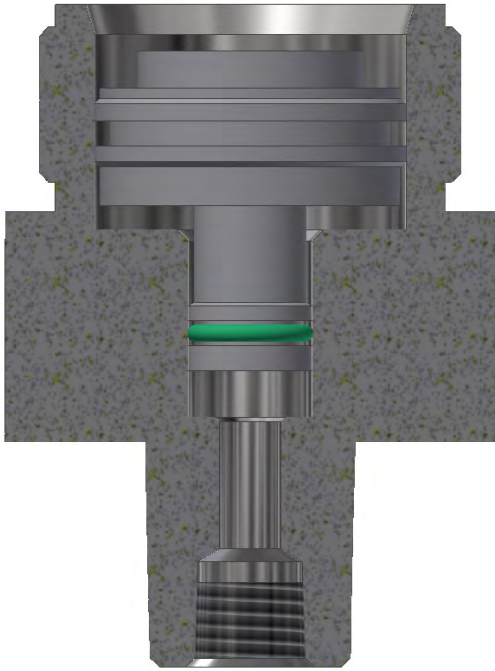


PHONE: 504-340-0055
 FAX: 504-340-0056
 EMAIL: SALES@RUELCO.COM

1209 DISTRIBUTORS ROW
 NEW ORLEANS, LA 70123

PRESSURE SWITCH BASE

#2 BASE - 1/2" PISTON



RANGE CHART

SPRING CODE	RANGE
B (BLUE) - STANDARD	200 – 750 PSI
G (GREEN) - INCONEL	(13.8 – 51.8 BAR)
R (RED) - STANDARD	500 - 1,500 PSI
Y (YELLOW) - INCONEL	(34.5- 103.5 BAR)
S (SILVER) - STANDARD	1,000—3,000 PSI
P (PURPLE) - INCONEL	(69—207 BAR)

SPECIFICATIONS

MAXIMUM OPERATION	10,000 PSI (690 BAR)
BURST PRESSURE	20,000 PSI (1380 BAR)
PROCESS CONNECTION	1/2" MNPT
PROCESS CONNECTION	1/4" FNPT

MATERIAL (PISTON AND BASE)

MATERIAL	PISTON CODE
316 ST. STL.	2
MONEL 400	7
INCONEL 625	C
HASTELLOY C-276	H
SUPER DUPLEX 2507	L
INCOLOY 825	Q
DUPLEX 2205	V
6 MO 254	Z

PRESSURE SWITCH BASE

ORDERING CODE

(BODY CODE) X X X 000

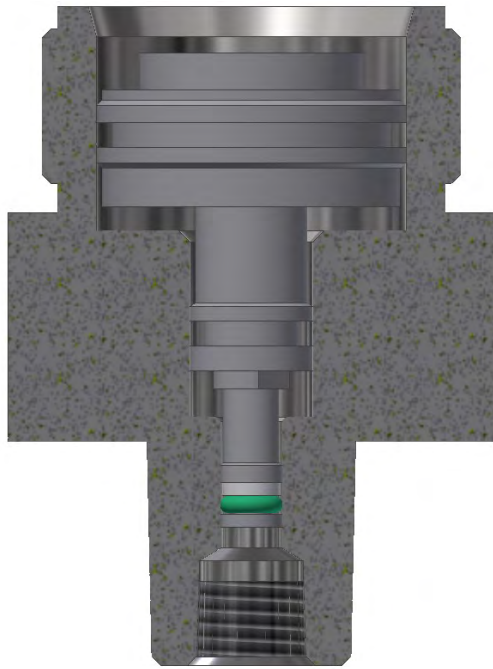
Standard Corrosive Service ---(-) | | |
 N.A.C.E. Option------(N) | | |

SPRING RANGE CODE
 PISTON MATERIAL CODE

PHONE: 504-340-0055
 FAX: 504-340-0056
 EMAIL: SALES@RUELCO.COM

1209 DISTRIBUTORS ROW
 NEW ORLEANS, LA 70123

#3 BASE - 1/4" PISTON



RANGE CHART

SPRING CODE	RANGE
B (BLUE) - STANDARD	1,000 – 3,000 PSI (69 – 207 BAR)
G (GREEN) - INCONEL	
R (RED) - STANDARD	2,000 - 5,000 PSI (138 - 345 BAR)
Y (YELLOW) - INCONEL	
S (SILVER) - STANDARD	5,000 - 10,000 PSI (345 - 690 BAR)
P (PURPLE) - INCONEL	

SPECIFICATIONS

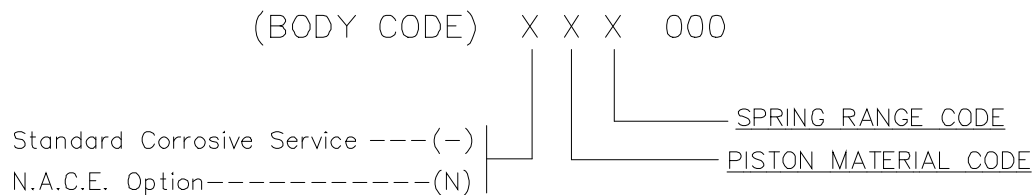
MAXIMUM OPERATION	10,000 PSI (690 BAR)
BURST PRESSURE	20,000 PSI (1380 BAR)
PROCESS CONNECTION	1/2" MNPT
PROCESS CONNECTION	1/4" FNPT

MATERIAL (PISTON AND BASE)

MATERIAL	PISTON CODE
316 ST. STL.	3
MONEL 400	8
INCONEL 625	D
HASTELLOY C-276	I
SUPER DUPLEX 2507	M
INCOLOY 825	R
DUPLEX 2205	W

PRESSURE SWITCH BASE

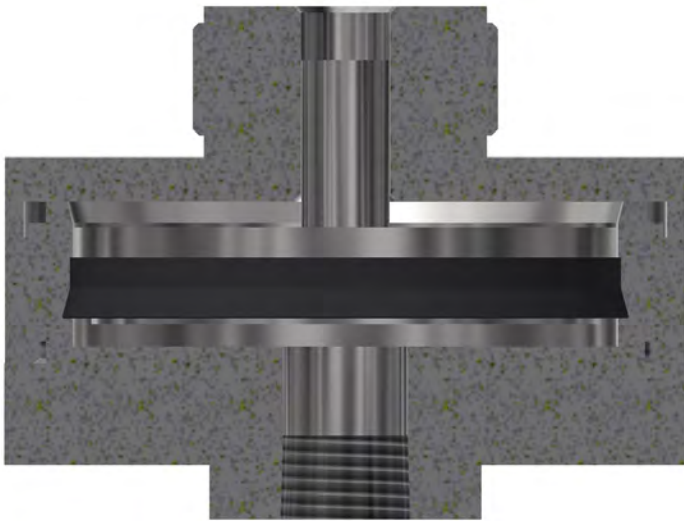
ORDERING CODE



PHONE: 504-340-0055
 FAX: 504-340-0056
 EMAIL: SALES@RUELCO.COM

1209 DISTRIBUTORS ROW
 NEW ORLEANS, LA 70123

#0 BASE - 3" PISTON



RANGE CHART

SPRING CODE	RANGE
B (BLUE) - STANDARD	.5 - 20 PSI
G (GREEN) - INCONEL	(.03 – 1.4 BAR)
R (RED) - STANDARD	4 - 40 PSI
Y (YELLOW) - INCONEL	(.3 - 2.75 BAR)
S (SILVER) - STANDARD	10 - 80 PSI
P (PURPLE) - INCONEL	(.7 - 5.5 BAR)

SPECIFICATIONS

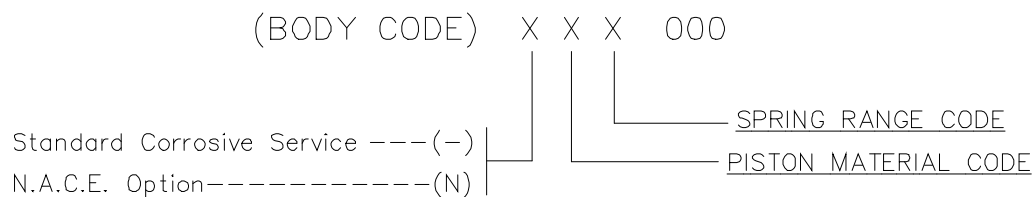
MAXIMUM OPERATION	5,000 PSI (345 BAR)
BURST PRESSURE	10,000 PSI (690 BAR)
PROCESS CONNECTION	1/2" FNPT

MATERIAL (PISTON AND BASE)

MATERIAL	PISTON CODE
316 ST. STL.	0
MONEL 400	5
INCONEL 625	A
HASTELLOY C-276	F
SUPER DUPLEX 2507	O
DUPLEX 2205	T

PRESSURE SWITCH BASE

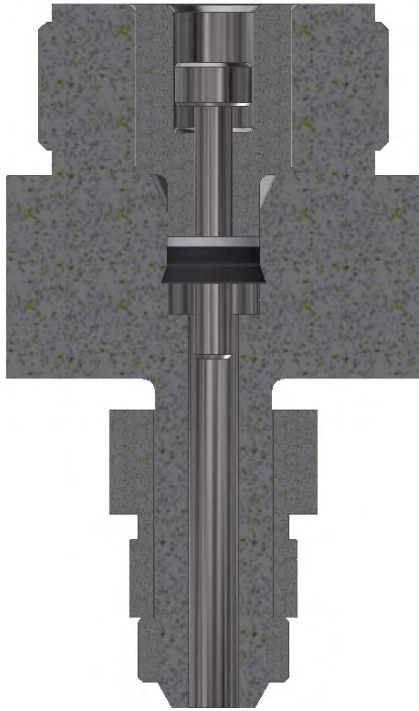
ORDERING CODE



PHONE: 504-340-0055
 FAX: 504-340-0056
 EMAIL: SALES@RUELCO.COM

1209 DISTRIBUTORS ROW
 NEW ORLEANS, LA 70123

#4 BASE - .187" PISTON



SPECIFICATIONS

MAXIMUM OPERATION	20,000 PSI (1380 BAR)
BURST PRESSURE	40,000 PSI (2760 BAR)
PROCESS CONNECTION	9/16" MP CONE

RANGE CHART

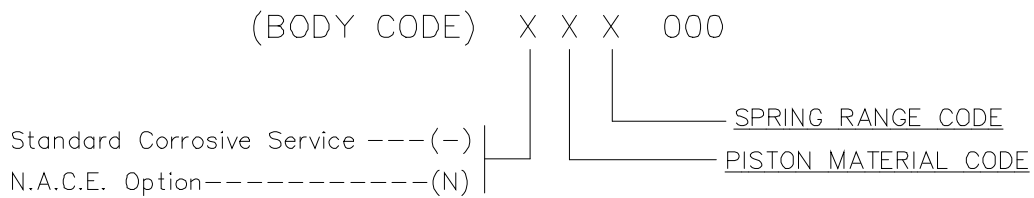
SPRING CODE	RANGE
B (BLUE) - STANDARD	2,000 - 5,000 PSI
G (GREEN) - INCONEL	(138 – 345 BAR)
R (RED) - STANDARD	3,500 - 9,000 PSI
Y (YELLOW) - INCONEL	(241 - 620 BAR)
S (SILVER) - STANDARD	8,500 - 20,000 PSI
P (PURPLE) - INCONEL	(586 - 1380 BAR)

MATERIAL (PISTON AND BASE)

MATERIAL	PISTON CODE
316 ST. STL.	4
MONEL 400	9
INCONEL 625	E
HASTELLOY C-276	J
SUPER DUPLEX 2507	N
DUPLEX 2205	X

PRESSURE SWITCH BASE

ORDERING CODE



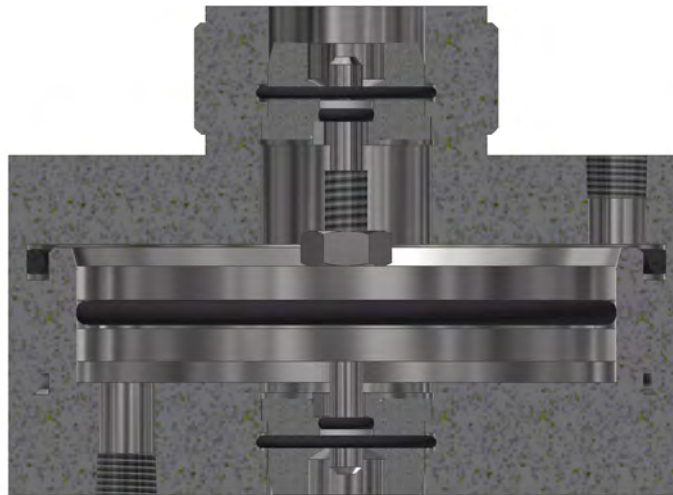
PHONE: 504-340-0055
 FAX: 504-340-0056
 EMAIL: SALES@RUELCO.COM

1209 DISTRIBUTORS ROW
 NEW ORLEANS, LA 70123

DIFFERENTIAL - 3" PISTON

OPERATION

The Ruelco Differential Base allows any of the Ruelco pressure bodies to measure the pressure difference between the upper and lower ports. Depending on the instrument ports used, the base allows for a rising or falling pressure difference set point. Typical use would be to connect the upstream and downstream connections to the base in order to determine an undesired pressure drop or a clogged filter pressure build and to activate the safety switch.



PRESSURE SWITCH BASE

RANGE CHART

SPRING CODE	RANGE
B (BLUE) - STANDARD	.5 - 20 PSI
G (GREEN) - INCONEL	(.03 – 1.4 BAR)
R (RED) - STANDARD	4 - 40 PSI
Y (YELLOW) - INCONEL	(.3 - 2.75 BAR)
S (SILVER) - STANDARD	10 - 80 PSI
P (PURPLE) - INCONEL	(.7 - 5.5 BAR)

SPECIFICATIONS

MAXIMUM OPERATION PRESSURE	2,000 PSI (138 BAR)
MAXIMUM DIFFERENTIAL PRESSURE	1,500 PSI (103 BAR)
PROCESS CONNECTION	1/8" FNPT

PHONE: 504-340-0055
FAX: 504-340-0056
EMAIL: SALES@RUELCO.COM

1209 DISTRIBUTORS ROW
NEW ORLEANS, LA 70123

DIFFERENTIAL - 3" PISTON

PARTS LIST

ITEM	QUANTITY	DESCRIPTION	MATERIAL
1	1	UPPER HOUSING	17-4 PH ST. STL.
2	1	LOWER HOUSING	17-4 PH ST. STL.
3*	1	BODY SEAL	FLUOROCARBON
4*	1	PISTON SEAL	FLUOROCARBON
5	1	PISTON	17-4 PH ST. STL.
6*	2	GUIDE SLEEVE SEALS	FLUOROCARBON
7	2	GUIDE SLEEVE	316 ST. STL.
8	2	SEAL RETAINER	FLUOROCARBON
9*	2	SPOOL SEALS	FLUOROSILICON
10**	2	SPOOL SEAL BACKUP	TEFLON
11	2	RETAINER RING	316 ST. STL.
12	1	SPOOL	17-4 PH ST. STL.
13*	1	PISTON/ SPOOL SEAL	FLUOROCARBON
14	1	LOCK WASHER	316 ST. STL.
15	1	HEX NUT	316 ST. STL.

PRESSURE SWITCH BASE

ORDERING CODE

(BODY CODE) X D X 000

Standard Corrosive Service ---(-) |
 N.A.C.E. Option------(N) |

SPRING RANGE CODE

REPAIR KIT

- 4D-008-000

OTHER TEMPERATURE RANGES AND SEAL COMPOUNDS AVAILABLE UPON REQUEST

PHONE: 504-340-0055
 FAX: 504-340-0056
 EMAIL: SALES@RUELCO.COM

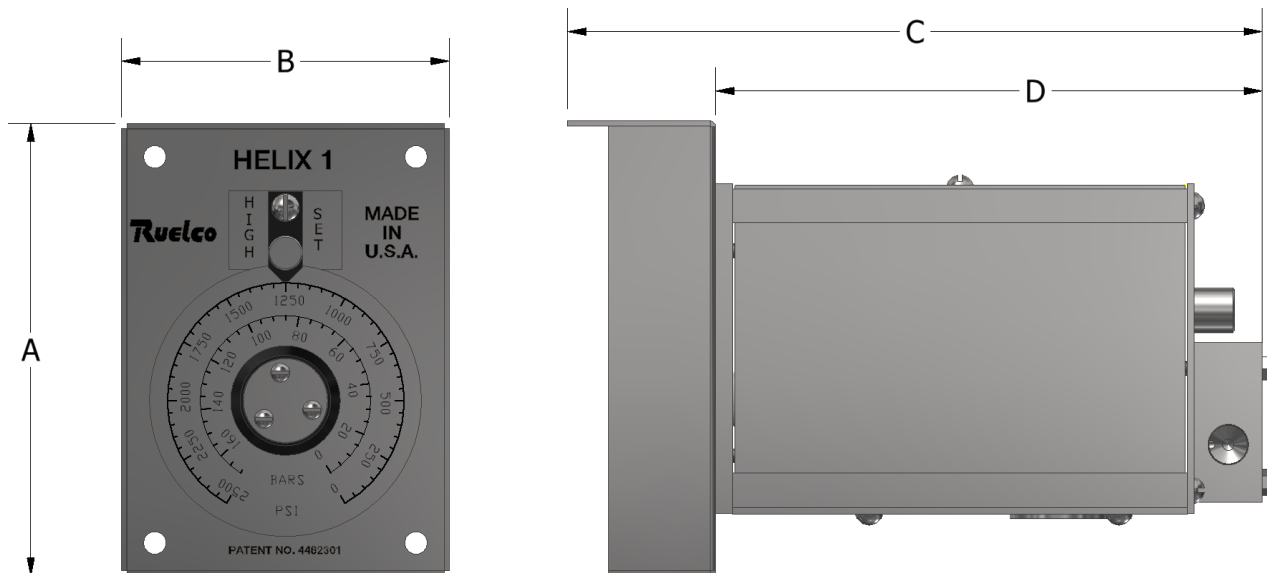
1209 DISTRIBUTORS ROW
 NEW ORLEANS, LA 70123

OPERATION

The Ruelco Dial Pressure Switch is a helix bourdon tube type pressure switch. The helix is designed to have good over-pressure protection as well as a small deadband. The pressure is adjusted by means of the external dial. Supplied as a high or low, the coiled bourdon tube is used as the pressure sensor. This eliminates any soft goods from coming into direct contact with the process fluid. The coil will activate a snap acting block and bleed valve when a high or low set point is reached. All pressure switches are factory calibrated using 30 psi pneumatic signal and come in various ranges from 0-15,000 psi.

FEATURES

- 316 stainless steel construction (models to N.A.C.E. MR0175 available)
- Operating ranges from 0-15,000 psi
- Block and bleed pneumatic valve
- Viton seals are utilized for dependability



HELIX PRESSURE SWITCH

DIMENSIONS

A	5.00" (127 mm)
B	3.625" (92.08 mm)
C	7.625" (193.68 mm)
D	6.00" (152.4 mm)
WEIGHT	4.5 LBS (1.95 KG)

PHONE: 504-340-0055
 FAX: 504-340-0056
 EMAIL: SALES@RUELCO.COM

1209 DISTRIBUTORS ROW
 NEW ORLEANS, LA 70123

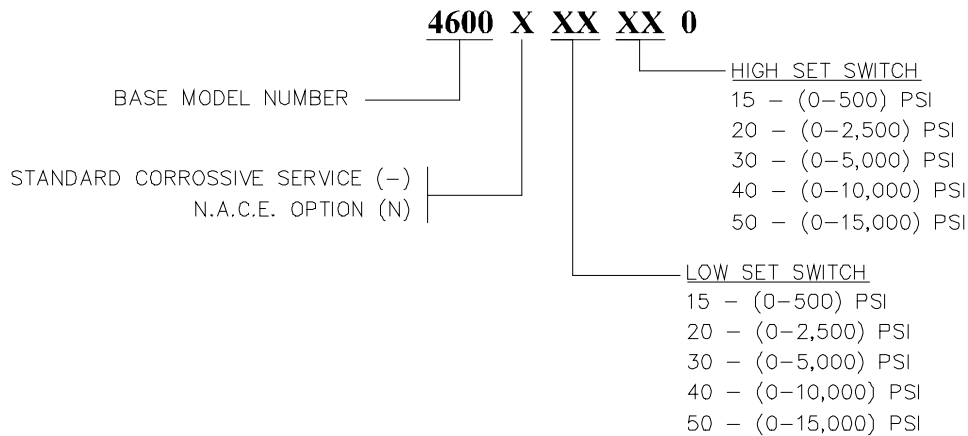
SPECIFICATIONS

MAXIMUM INSTRUMENT PRESSURE	30 PSI (2.07 BAR)
AMBIENT TEMPERATURE RANGE	-20 TO 250° F -29 TO 121° C
WEIGHT	4 LBS 4 OZ (1.95 KG)
REPEATABILITY	1 % OF FULL SCALE
DEADBAND	5 % OF FULL SCALE
ACCURACY	+/- 3%

RANGE CHART

RANGE	MAXIMUM PRESSURE	PROCESS CONNECTION
0-500 PSI (0-34.5 BAR)	1,000 PSI (69 BAR)	1/2" FNPT
0-2,500 PSI (0-172.4 BAR)	5,000 PSI (344.7 BAR)	1/2" FNPT
0-5,000 PSI (0-344.7 BAR)	7,500 PSI (517.1 BAR)	1/2" FNPT
0-10,000 PSI (0-690 BAR)	12,500 PSI (861.8 BAR)	1/4" FNPT
0-15,000 PSI (0-1034 BAR)	18,000 PSI (1241 BAR)	9/16"-18 FEMALE MP CONE

ORDERING CODE



PHONE: 504-340-0055
 FAX: 504-340-0056
 EMAIL: SALES@RUELCO.COM

PARTS LIST

ITEM	QUANTITY	DESCRIPTION	MATERIAL
1	1	BOURDON TUBE SUB ASSEMBLY	316 ST. STL.
2	1	SCALE	316 ST. STL.
3	1	KNOB	DELRIN
4	1	SCALE WASHER	316 ST. STL.
5	1	KNOB PLATE	316 ST. STL.
6	3	SCREWS	ST. STL.
7	1	KNOB SCREW	ST. STL.
8	1	FACE PLATE	316 ST. STL.
9	1	SET TAG	316 ST. STL.
10	1	BRAKE	DELRIN
11	1	BRAKE SCREW	316 ST. STL.
12	1	SCREW	ST. STL.
13	2	FACE PLATE SCREWS	ST. STL.
14	1	BOTTOM CHASSIS PLATE	316 ST. STL./DELRIN
15	1	CAM SHAFT ASSEMBLY	316 ST. STL.
16	4	ELEMENT SUB- ASSEMBLY SCREWS	ST. STL.
17	4	SCREW LOCKWASHERS	ST. STL.
18	1	COVER	316 ST. STL.
19	1	COVER SCREW	ST. STL.
20	1	TOP CHASSIS SUB ASSEMBLY	316 ST. STL./ DELRIN
21	1	BONNET	316 ST. STL.
22	1	MANIFOLD	316 ST. STL.
23	1	VALVE BODY	316 ST. STL.
24*	1	BONNET SEAL	FLUOROCARBON
25*	1	STINGER ASSEMBLY	316 ST. STL./FLUOROCARBON
26*	3	SEALS	FLUOROCARBON
27	4	BACK SCREWS	ST. STL.

HELIX PRESSURE SWITCH

PHONE: 504-340-0055
 FAX: 504-340-0056
 EMAIL: SALES@RUELCO.COM

PARTS LIST

ITEM	QUANTITY	DESCRIPTION	MATERIAL
28	4	BACK SCREWS LOCKWASHER	ST. STL.
29A	1	LOW SPRING	MUSIC WIRE
29B	—	HIGH SPRING	MUSIC WIRE
30A	1	LOW ACTUATOR STOP	316 ST. STL.
30B	—	HIGH ACTUATOR STOP	316 ST. STL.
31	1	PADDLE	316 ST. STL.
32	1	STOP LOCK NUT	316 ST. STL.
33	1	PADDLE SCREW	ST. STL.
34	1	CAM BUTTON	316 ST. STL.
35	1	CAM BUTTON SCREW	ST. STL.
36	1	VALVE SCREWS	ST. STL.
37	2	VALVE LOCKWASHERS	ST. STL.

REPAIR KIT

- 45-090-000

OTHER TEMPERATURE RANGES AND SEAL COM-
POUNDS

AVAILABLE UPON REQUEST

HELIX PRESSURE SWITCH

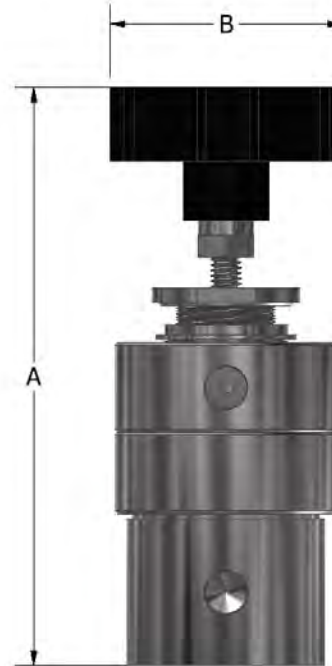
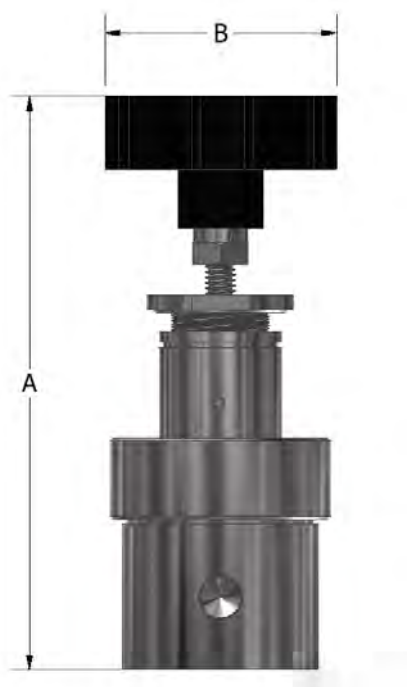
PHONE: 504-340-0055
FAX: 504-340-0056
EMAIL: SALES@RUELCO.COM

OPERATION

The Ruelco Regulator is a direct acting, rapid response regulator designed to give precise low pressure control of a high pressure inlet signal. With a maximum inlet signal of 6,000 psi, the regulator can accurately deliver between 25-250 psi at the outlet port. To assure clean flow, the regulator comes standard with a 20 micron filter at the inlet connection.

FEATURES

- 316 stainless steel construction (N.A.C.E. model available)
- All soft seal design
- Small compact design
- Simple operation allows for easy repair
- Standard 20 micron filter minimizes malfunctions due to supply system debris



Shown with vent port cover

REGULATOR

DIMENSIONS

A	5.75" (146.3 mm)
B	2.375" (60.3 mm)
PORT SIZES	1/4" FNPT
PANEL MOUNT HOLE	1.0" (25.4 mm)
WEIGHT	2.58 lbs (1.17 kg)

PHONE: 504-340-0055
FAX: 504-340-0056
EMAIL: SALES@RUELCO.COM

1209 DISTRIBUTORS ROW
NEW ORLEANS, LA 70123

PARTS LIST

ITEM	QUANTITY	DESCRIPTION	MATERIAL
1	1	KNOB	PNENOLIC
2	1	OVERRIDE	316 ST. STL.
3	1	LOCK NUT	ST. STL.
4	1	SPRING PLATE	316 ST. STL.
5*	1	SPRING PLATE SEAL	NITRILE
6	1	CAP	316 ST. STL.
7	1	PISTON	316 ST. STL.
8	1	RETAINER	316 ST. STL.
9*	1	RETAINER SEAL	NITRILE
10*	1	SLEEVE SEAL	NITRILE
11	1	SLEEVE	316 ST. STL.
12	1	SPOOL SPRING	ST. STL.
13	1	SPOOL	17-4 ST. STL.
14	-	(OPTIONAL) PANEL MOUN NUT	316 ST. STL.
15*	1	PISTON SEAL	NITRILE
16*	1	SEAL INSERT	316 ST. STL.
17*	1	SEAL	PEEK
18*	1	SNAP RING	ST. STL.
19*	1	MICRON FILTER	ST. STL.
20	1	BODY	316 ST. STL.
21	1	(OPTIONAL) VENT PORT COVER	316 ST. STL.
22	1	(OPTIONAL) SNAP RING	ST. STL.
23#	2	(OPTIONAL) VENT COVER SEALS	NITRILE

* INDICATES ITEMS IN THE REPAIR KIT

ADDITIONAL ITEMS IN OPTIONAL VENT PORT COVER REPAIR KIT

PHONE: 504-340-0055
 FAX: 504-340-0056
 EMAIL: SALES@RUELCO.COM

1209 DISTRIBUTORS ROW
 NEW ORLEANS, LA 70123

REGULATOR

SPECIFICATIONS

MAXIMUM INLET PRESSURE	6,000 PSI (413 BAR)
MAXIMUM OUTLET PRESSURE	250 PSI (17.2 BAR)
AMBIENT TEMPERATURE RANGE	-20 TO 250° F -29 TO 122° C
Cv FACTOR W/ FILTER	.110
Cv FACTOR W/O FILTER	.012

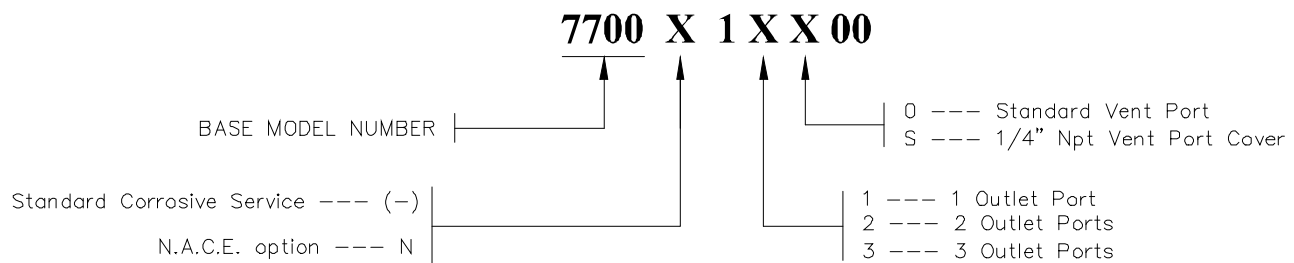
REPAIR KIT

- 77-014-000

OTHER TEMPERATURE RANGES AND SEAL COMPOUNDS AVAILABLE UPON REQUEST

REGULATOR

ORDERING CODE

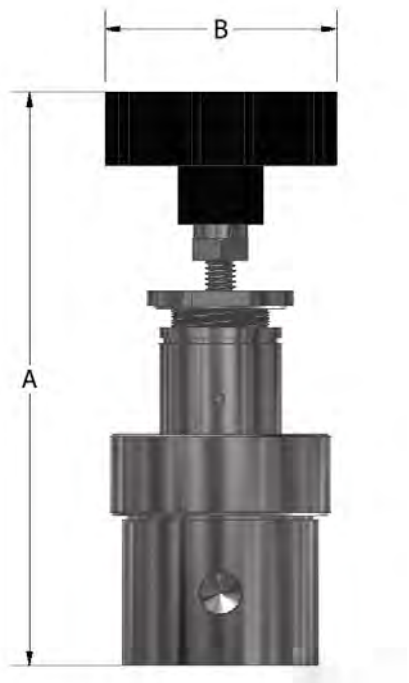


PHONE: 504-340-0055
 FAX: 504-340-0056
 EMAIL: SALES@RUELCO.COM

1209 DISTRIBUTORS ROW
 NEW ORLEANS, LA 70123

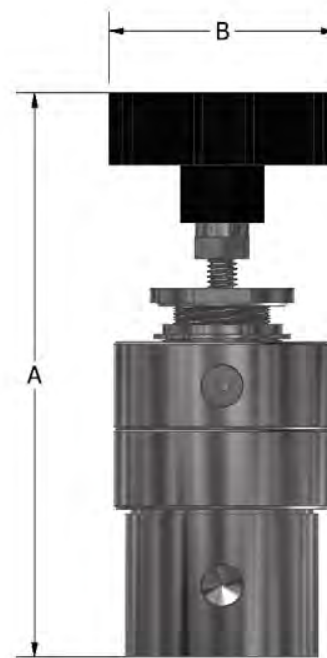
OPERATION

The Ruelco Self Relieving Regulator is a direct acting, internal venting, rapid response regulator designed to give precise low pressure control of a high pressure inlet signal. With a maximum inlet signal of 6,000 psi, the regulator can accurately deliver between 25-250 psi at the outlet port. The valve will provide instant outlet pressure correction when the knob is turned via the internal venting design. To assure clean flow, the regulator comes standard with a 20 micron filter at the inlet connection.



FEATURES

- 316 stainless steel construction (N.A.C.E. model available)
- All soft seal design
- Small compact design
- Simple operation allows for easy repair
- Standard 20 micron filter minimizes malfunctions due to supply system debris



Shown with vent port cover

DIMENSIONS

A	5.75" (146.3 mm)
B	2.375" (60.3 mm)
PORT SIZES	1/4" FNPT
PANEL MOUNT HOLE	1.0" (25.4 mm)
WEIGHT	2.58 lbs (1.17 kg)

PHONE: 504-340-0055
 FAX: 504-340-0056
 EMAIL: SALES@RUELCO.COM

1209 DISTRIBUTORS ROW
 NEW ORLEANS, LA 70123

SELF RELIEVING REGULATOR

PARTS LIST

SELF RELIEVING REGULATOR

ITEM	QUANTITY	DESCRIPTION	MATERIAL
1	1	KNOB	PNENOLIC
2	1	OVERRIDE	316 ST. STL.
3	1	LOCK NUT	ST. STL.
4	1	SPRING PLATE	316 ST. STL.
5*	1	SPRING PLATE SEAL	NITRILE
6	1	CAP	316 ST. STL.
7	1	SELF RELIEVING PISTON	316 ST. STL.
8	1	SELF RELIEVING SPRING	ST. STL.
9	1	SELF RELIEVING SEAL	NITRILE
10	1	SELF RELIEVING BALL	ST. STL.
11	1	RETAINER	316 ST. STL.
12	1	RETAINER SEAL	NITRILE
13	1	SLEEVE SEAL	NITRILE
14	1	SLEEVE	316 ST. STL.
15	1	SPOOL SPRING	ST. STL.
16	1	SPOOL	17-4 ST. STL.
17	-	(OPTIONAL) PANEL MOUN NUT	316 ST. STL.
18	1	PISTON SEAL	NITRILE
19	1	SEAL INSERT	316 ST. STL.
20	1	SEAL	PEEK
21	1	SNAP RING	ST. STL.
22	1	MICRON FILTER	ST. STL.
23	1	BODY	316 ST. STL.
24	1	(OPTIONAL) VENT PORT COVER	316 ST. STL.
25	1	(OPTIONAL) SNAP RING	ST. STL.
26	2	(OPTIONAL) VENT COVER SEALS	NITRILE

* INDICATES ITEMS IN THE REPAIR KIT

ADDITIONAL ITEMS IN OPTIONAL VENT PORT COVER REPAIR KIT

PHONE: 504-340-0055
 FAX: 504-340-0056
 EMAIL: SALES@RUELCO.COM

1209 DISTRIBUTORS ROW
 NEW ORLEANS, LA 70123

SPECIFICATIONS

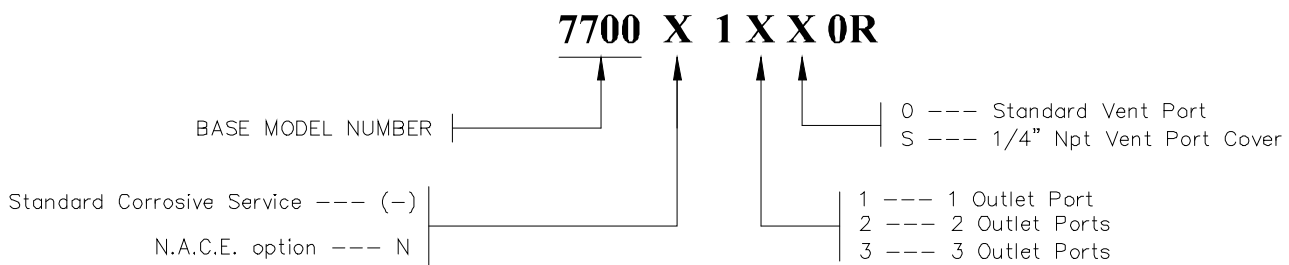
MAXIMUM INLET PRESSURE	6,000 PSI (413 BAR)
MAXIMUM OUTLET PRESSURE	250 PSI (17.2 BAR)
AMBIENT TEMPERATURE RANGE	-20 TO 250° F -29 TO 122° C
Cv FACTOR W/ FILTER	.110
Cv FACTOR W/O FILTER	.012

REPAIR KIT

- 77-023-000

OTHER TEMPERATURE RANGES AND SEAL COMPOUNDS AVAILABLE UPON REQUEST

ORDERING CODE



SELF RELIEVING REGULATOR

PHONE: 504-340-0055
 FAX: 504-340-0056
 EMAIL: SALES@RUELCO.COM

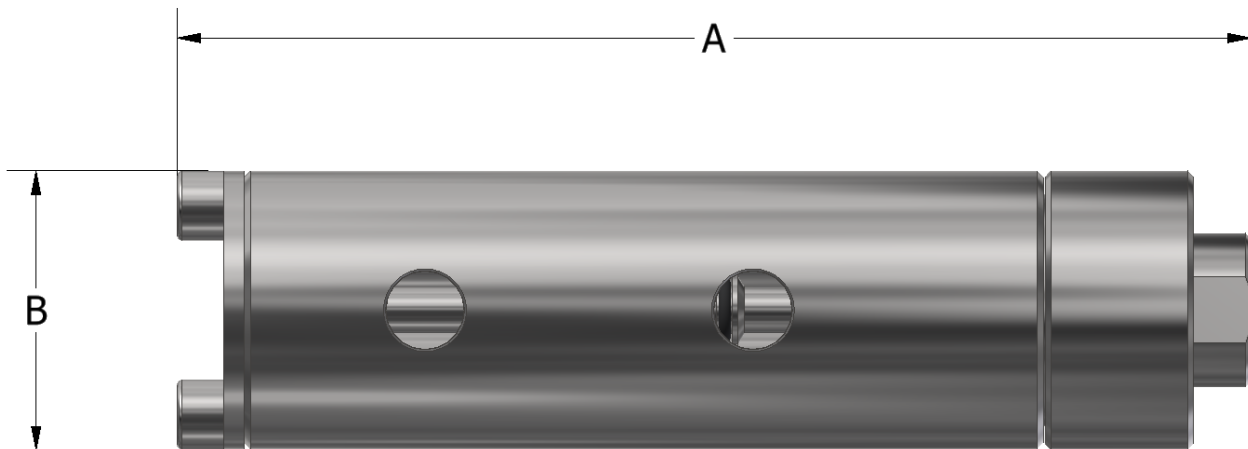
1209 DISTRIBUTORS ROW
 NEW ORLEANS, LA 70123

OPERATION

The Ruelco RB-1 is a multi-pressure, universal control valve for production control and safety systems. It functions as an automatic reset, pilot operated, normally open or normally closed, block and bleed valve. The relay will allow inlet to outlet flow in one state and outlet to vent flow in the changed state. The high flow rate provides a fast closing time for any connected pneumatic devices.

FEATURES

- 316 stainless steel construction (models to N.A.C.E. MR0175 available)
- Large Cv factor assures fast system response
- Fluorocarbon and nitrile seals are utilized for dependability
- Inconel X750 spring assures dependability in most corrosive environments
- Supply pressure and pilot cap pressure are independent of each other



UNIVERSAL CONTROL VALVE

DIMENSIONS

A	5.45" (138.4 mm)
B	1.50" (38.1 mm)
CONNECTION PORT SIZES	1/4" FNPT
WEIGHT	2.25 LBS (1.02 kg)

PHONE: 504-340-0055
FAX: 504-340-0056
EMAIL: SALES@RUELCO.COM

1209 DISTRIBUTORS ROW
NEW ORLEANS, LA 70123

PARTS LIST

ITEM	QUANTITY	DESCRIPTION	MATERIAL
1	1	BASE	316 ST. STL.
2*	1	PISTON SEAL	NITRILE
3	1	PISTON	316 ST. STL.
4*	1	BASE O-RING	FLUOROCARBON
5	1	SPRING	INCONEL X-750
6	1	BODY	316 ST. STL.
7	1	SPOOL	316 ST. STL.
8*	4	SPOOL SEAL	FLUOROCARBON
9	2	SCREW	316 ST. STL.
10	1	END PLATE	316 ST. STL.

* INDICATES ITEMS IN THE REPAIR KIT

SPECIFICATIONS

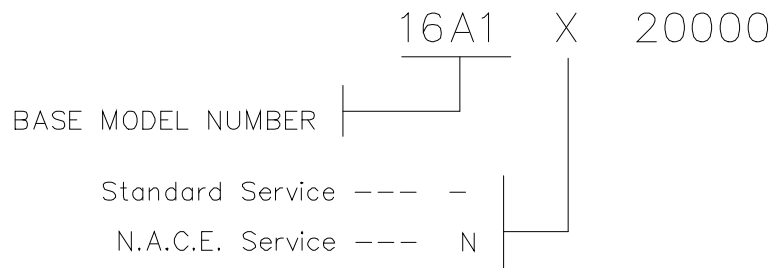
VALVE BODY MAX WORKING PRESSURE	150 PSI (10.3 BAR)
AMBIENT TEMPERATURE RANGE	-20 TO 250° F -29 TO 122° C
MINIMUM PILOT SIGNAL PRESSURE TO HOLD N.C. VALVE OPEN	25 PSI (1.7 BAR)
MINIMUM PILOT SIGNAL PRESSURE TO HOLD N.O. VALVE CLOSED	25 PSI (1.7 BAR)
Cv FACTOR	1.4

REPAIR KIT

- 16-006-000

OTHER TEMPERATURE RANGES AND SEAL COMPOUNDS AVAILABLE UPON REQUEST

ORDERING CODE



PHONE: 504-340-0055
 FAX: 504-340-0056
 EMAIL: SALES@RUELCO.COM

1209 DISTRIBUTORS ROW
 NEW ORLEANS, LA 70123

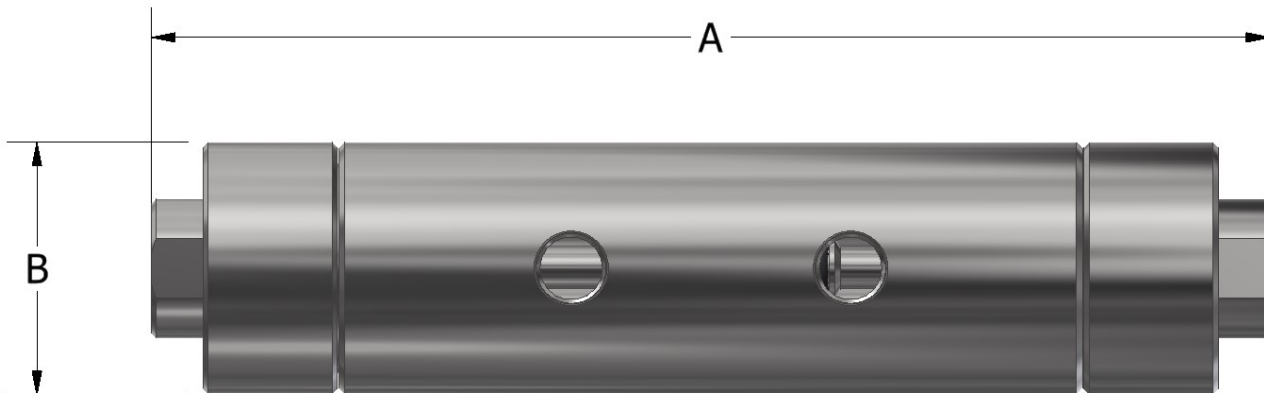
UNIVERSAL CONTROL VALVE

OPERATION

The Ruelco Dual Pilot Relay is a universal relay operated by two pilot supply pressures. The relay will allow inlet to outlet flow in one state and outlet to vent flow in the changed state. The flow through the valve shifts upon presence of a pilot supply pressure. The relay will remain in that position until an opposing pilot supply signal is applied. The relay will also operate with the application of an adequate pressure differential between the two pilot caps, if both pressures are present at the same time.

FEATURES

- 316 stainless steel construction (models to N.A.C.E. MR0175 available)
- Supply and pilot pressures are independent of each other
- Large Cv factor assures fast system response
- Fluorocarbon seals are utilized for dependability
- Relay position is held until it sees a pilot signal on the opposing cap



DIMENSIONS

A	6.68" (169.7 mm)
B	1.50" (38.1 mm)
CONNECTION PORT SIZES	1/4" FNPT
WEIGHT	2.77 LBS (1.26 kg)

PHONE: 504-340-0055
 FAX: 504-340-0056
 EMAIL: SALES@RUELCO.COM

1209 DISTRIBUTORS ROW
 NEW ORLEANS, LA 70123

PARTS LIST

ITEM	QUANTITY	DESCRIPTION	MATERIAL
1	2	DUAL PILOT BASE	316 ST. STL.
2*	2	PISTON SEAL	FLUOROCARBON
3*	2	CUT PISTON SEAL	FLUOROCARBON
4	2	DUAL PILOT SHAFT	316 ST. STL.
5	1	DUAL PILOT SHAFT	316 ST. STL.
6*	4	SHAFT SEAL	FLUOROCARBON
7	1	DUAL PILOT BODY	316 ST. STL.
8*	2	BASE SEAL	FLUOROCARBON
9	2	PISTON SCREW	316 ST. STL.

* INDICATES ITEMS IN THE REPAIR KIT

SPECIFICATIONS

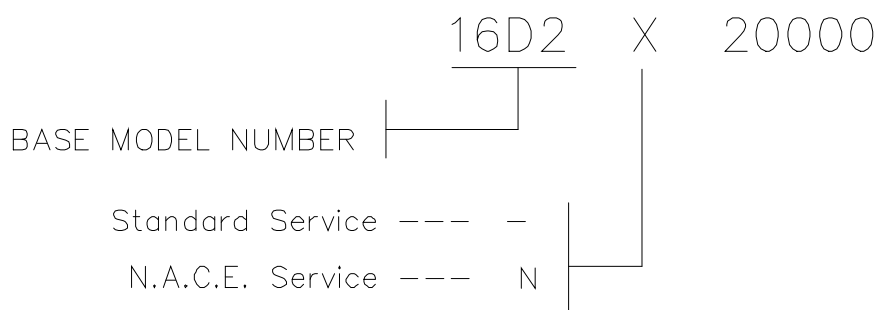
VALVE BODY MAX WORKING PRESSURE	150 PSI (10.3 BAR)
AMBIENT TEMPERATURE RANGE	-20 TO 250° F -29 TO 122° C
MINIMUM PILOT SIGNAL PRESSURE TO CHANGE RELAY POSITION	35 PSI (2.41 BAR)
Cv FACTOR	1.4

REPAIR KIT

- 16-023-000

OTHER TEMPERATURE RANGES AND SEAL COMPOUNDS AVAILABLE UPON REQUEST

ORDERING CODE



PHONE: 504-340-0055
 FAX: 504-340-0056
 EMAIL: SALES@RUELCO.COM

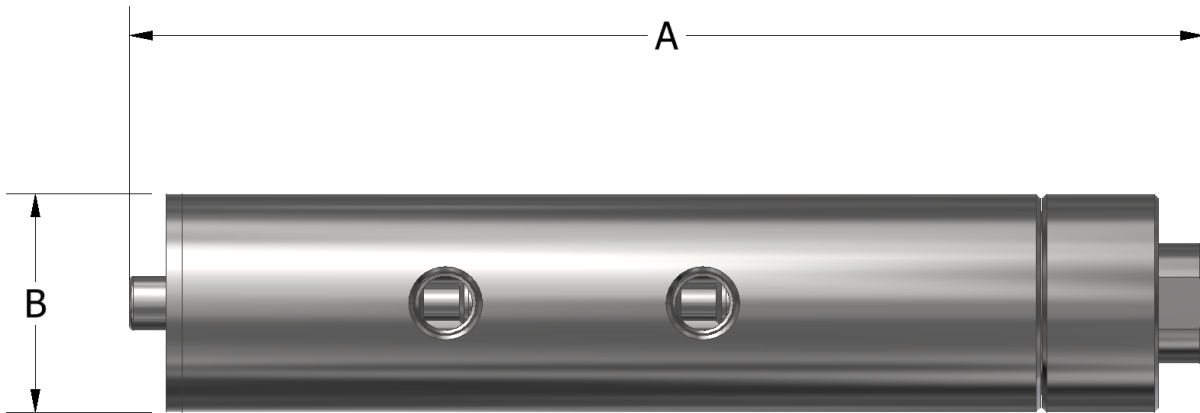
1209 DISTRIBUTORS ROW
 NEW ORLEANS, LA 70123

OPERATION

The Ruelco 4-way 5/2 Pilot Relay is a Normally Open and Normally Closed relay operated by a single pilot supply. The single inlet will allow a Normally Open signal to the outlet while the Normally Closed outlet will vent. When the pilot signal is applied, the porting will change state with each side reversing the operation. The relay can easily control both sides of a double acting actuator or pneumatic pump with a single pilot supply. The internal spring ensures the relay will return to the original shelf state when the pilot supply signal is removed.

FEATURES

- 316 stainless steel construction (models to N.A.C.E. MR0175 available)
- Large Cv factor assures fast system response
- Fluorocarbon and Nitrile seals are utilized for dependability
- Inconel X750 spring assures dependability in most corrosive environments
- Supply and pilot pressures are independent of each other



DIMENSIONS

A	7.38" (187.45 mm)
B	1.50" (38.1 mm)
CONNECTION PORT SIZES	1/4" FNPT
WEIGHT	3.05 LBS (1.38 kg)

PHONE: 504-340-0055
 FAX: 504-340-0056
 EMAIL: SALES@RUELCO.COM

1209 DISTRIBUTORS ROW
 NEW ORLEANS, LA 70123

4-WAY 5/2 CONTROL VALVE

PARTS LIST

ITEM	QUANTITY	DESCRIPTION	MATERIAL
1	1	BASE	316 ST. STL.
2*	1	PISTON SEAL	NITRILE
3	1	PISTON	316 ST. STL.
4*	1	BASE O-RING	FLUOROCARBON
5	1	SPRING	INCONEL X-750
6	1	BODY	316 ST. STL.
7	1	SPOOL	316 ST. STL.
8*	6	SPOOL SEAL	FLUOROCARBON
9	2	SCREW	316 ST. STL.
10	1	END PLATE	316 ST. STL.

* INDICATES ITEMS IN THE REPAIR KIT

SPECIFICATIONS

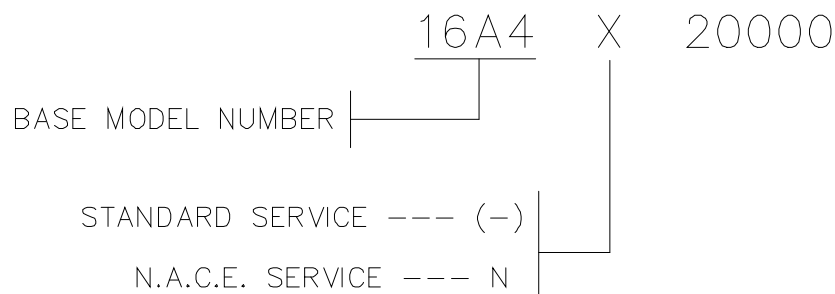
VALVE BODY MAX WORKING PRESSURE	150 PSI (10.3 BAR)
AMBIENT TEMPERATURE RANGE	-20 TO 250° F -29 TO 122° C
MINIMUM PILOT SIGNAL PRESSURE TO HOLD VALVE OPEN	35 PSI (2.41 BAR)
Cv FACTOR	1.4

REPAIR KIT

- 16-032-000

OTHER TEMPERATURE RANGES AND SEAL COMPOUNDS AVAILABLE UPON REQUEST

ORDERING CODE



PHONE: 504-340-0055
 FAX: 504-340-0056
 EMAIL: SALES@RUELCO.COM

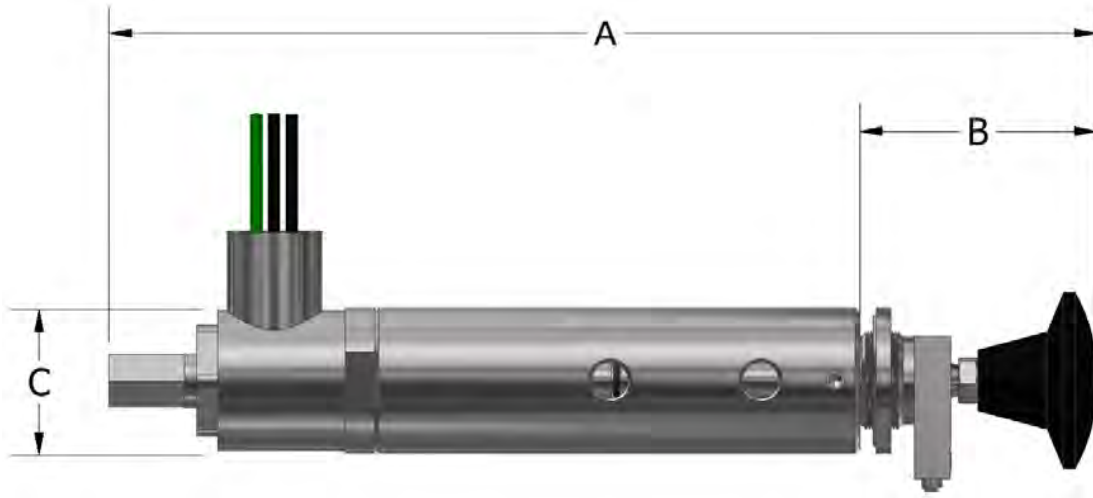
1209 DISTRIBUTORS ROW
 NEW ORLEANS, LA 70123

OPERATION

The Ruelco 10A1 Solenoid Relay is a solenoid operated, spring return relay. It operates as a 3-way, block-and-bleed, normally closed valve with a palm knob for position indication and manual operation. In the closed position, the inlet signal will be blocked from reaching the outlet port, until the knob is manually pulled into service or the solenoid is activated. If pulled into service without solenoid power, the detent will allow the relay to stay open until the solenoid signal is present. Once in this configuration, the relay is armed and will shut closed, venting the outlet pressure, with a loss of solenoid signal or a manual push on the knob. The relay will also shut if the inlet pressure drops below a predetermined value. The relay will remain closed until the knob is manually pulled into service again or the solenoid is activated again.

FEATURES

- 316 stainless steel construction (models to N.A.C.E. MR0175 available)
- Large Cv factor assures fast system response.
- Can become a manual reset relay with the double detent option
- Design minimizes malfunctions due to supply system debris
- Low wattage solenoid reduces power load
- U.L. rated solenoid
- NEMA 4 X enclosure rated solenoid



DIMENSIONS

A (CLOSED / OPEN)	9.98" / 10.35" (250.2 / 262.9 mm)
B (CLOSED / OPEN)	2.36" / 2.73" (60 / 69.3 mm)
C	1.50" (38.1 mm)
CONNECTION PORT SIZES	1/4" FNPT
SOLENOID EXHAUST PORT SIZE	1/8" FNPT
CONDUIT CONNECTION SIZE	1/2" FNPT
PANEL MOUNT HOLE	1.0" (25.4 mm)
MAXIMUM PANEL THICKNESS	.18" (4.6 mm)
WEIGHT	3.2 LBS (1.45 KG)

PHONE: 504-340-0055
 FAX: 504-340-0056
 EMAIL: SALES@RUELCO.COM

1209 DISTRIBUTORS ROW
 NEW ORLEANS, LA 70123

HIGH FLOW SOLENOID RELAY

SPECIFICATIONS

MAXIMUM WORKING PRESSURE	120 PSI (8.3 BAR)
MINIMUM PRESSURE TO OPERATE	50 PSI (3.44 BAR)
AMBIENT TEMPERATURE RANGE	-20 TO 250° F -29 TO 122° C
Cv FACTOR	1.7

REPAIR KIT

- 15-023-000

OTHER TEMPERATURE RANGES AND SEAL COMPOUNDS AVAILABLE UPON REQUEST

SOLENOID SPECIFICATIONS

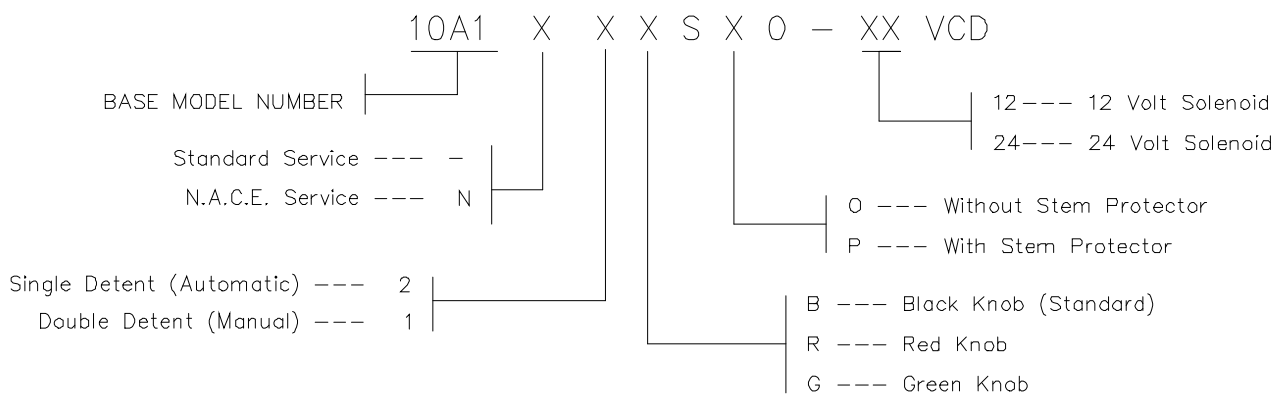
COIL VOLTAGE	12VDC OR 24VDC
WATTAGE	1.8 W
DUTY CYCLE	CONTINUOUS
AMBIENT TEMPERATURE RANGE	0 TO 104° F -18 TO 40° C
MEDIA TEMPERATURE RANGE	0 TO 150° F -18 TO 65° C

SOLENOID CERTIFICATIONS

UL LISTED AND CSA CERTIFIED	CLASS I, DIV 1 GROUPS C AND D
UL LISTED AND CSA CERTIFIED	CLASS II, DIV I GROUPS E, F AND G
UL LISTED AND CSA CERTIFIED	CLASS II, DIV II GROUPS C,D,E,F,G

HIGH FLOW SOLENOID RELAY

ORDERING CODE



PHONE: 504-340-0055
 FAX: 504-340-0056
 EMAIL: SALES@RUELCO.COM

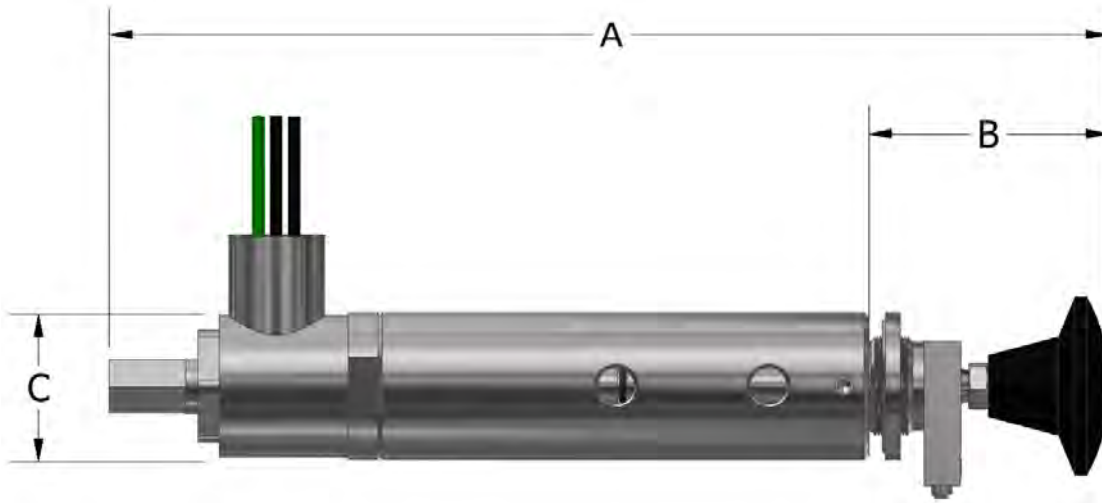
1209 DISTRIBUTORS ROW
 NEW ORLEANS, LA 70123

OPERATION

The Ruelco 10A1 High Watt Solenoid Relay is a solenoid operated, spring return relay. It operates as a 3-way, block-and-bleed, normally closed valve with a palm knob for position indication and manual operation. In the closed position, the inlet signal will be blocked from reaching the outlet port, until the knob is manually pulled into service or the solenoid is activated. If pulled into service without solenoid power, the detent will allow the relay to stay open until the solenoid signal is present. Once in this configuration, the relay is armed and will shut closed, venting the outlet pressure, with a loss of solenoid signal or a manual push on the knob. The relay will also shut if the inlet pressure drops below a predetermined value. The relay will remain closed until the knob is manually pulled into service again or the solenoid is activated again.

FEATURES

- 316 stainless steel construction (models to N.A.C.E. MR0175 available)
- Large Cv factor assures fast system response
- Can become a manual reset relay with the double detent option
- Design minimizes malfunctions due to supply system debris
- U.L. rated solenoid
- NEMA 4 X enclosure rated solenoid



DIMENSIONS

A (CLOSED / OPEN)	9.98" / 10.35" (250.2 / 262.9 mm)
B (CLOSED / OPEN)	2.36" / 2.73" (60 / 69.3 mm)
C	1.50" (38.1 mm)
CONNECTION PORT SIZES	1/4" FNPT
SOLENOID EXHAUST PORT SIZE	1/8" FNPT
CONDUIT CONNECTION SIZE	1/2" FNPT
PANEL MOUNT HOLE	1.0" (25.4 mm)
MAXIMUM PANEL THICKNESS	.18" (4.6 mm)
WEIGHT	3.2 LBS (1.45 KG)

PHONE: 504-340-0055
 FAX: 504-340-0056
 EMAIL: SALES@RUELCO.COM

1209 DISTRIBUTORS ROW
 NEW ORLEANS, LA 70123

SPECIFICATIONS

MAXIMUM WORKING PRESSURE	150 PSI (10.3 BAR)
MINIMUM PRESSURE TO OPERATE	50 PSI (3.44 BAR)
AMBIENT TEMPERATURE RANGE	-20 TO 250° F -29 TO 122° C
Cv FACTOR	1.7

REPAIR KIT

- 15-023-000

OTHER TEMPERATURE RANGES AND SEAL COMPOUNDS AVAILABLE UPON REQUEST

SOLENOID SPECIFICATIONS

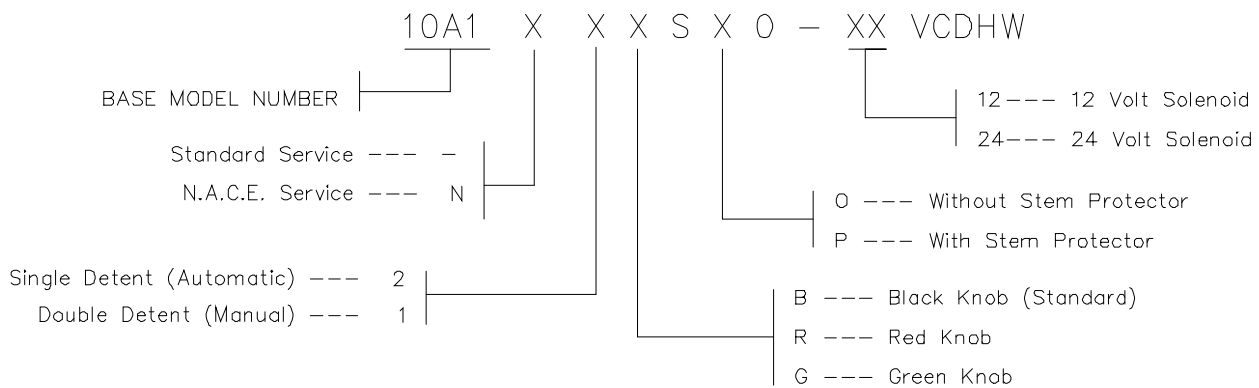
COIL VOLTAGE	12VDC OR 24VDC
WATTAGE	7.2 W
DUTY CYCLE	CONTINUOUS
AMBIENT TEMPERATURE RANGE	0 TO 104° F -18 TO 40° C
MEDIA TEMPERATURE RANGE	0 TO 150° F -18 TO 65° C

SOLENOID CERTIFICATIONS

UL LISTED AND CSA CERTIFIED	CLASS I, DIV 1 GROUPS C AND D
UL LISTED AND CSA CERTIFIED	CLASS II, DIV I GROUPS E, F AND G
UL LISTED AND CSA CERTIFIED	CLASS II, DIV II GROUPS C,D,E,F,G

HIGH WATT SOLENOID RELAY

ORDERING CODE



PHONE: 504-340-0055
FAX: 504-340-0056
EMAIL: SALES@RUELCO.COM

1209 DISTRIBUTORS ROW
NEW ORLEANS, LA 70123

PARTS LIST

ITEM	QUANTITY	DESCRIPTION	MATERIAL
1A	1	BLACK KNOB (STANDARD)	PHENOLIC
1B	-	RED KNOB	PHENOLIC
1C	-	GREEN KNOB	PHENOLIC
2	1	LOCK NUT	316 ST. STL.
3	1	DETENT ASSEMBLY	CF-8M AND 316 AND
4	2	SCREW	316 ST. STL.
5	1	PANEL MOUNT NUT (OPTIONAL)	316 ST. STL.
6	3	SET SCREW	316 ST. STL.
7	1	MOUNTING HEAD	316 ST. STL.
8*	1	HEAD SEAL	NITRILE
9*	4	SHAFT SEAL	FLUOROCARBON
10	1	SHAFT ASSEMBLY	316 ST. STL.
11	1	BODY	316 ST. STL.
12	1	SOLENOID SPRING	316 ST. STL.
13*	1	PISTON SEAL	NITRILE
14*	1	BASE SEAL	FLUOROCARBON
15	1	BASE	316 ST. STL.
16	1	SOLENOID SEAL	316 ST. STL.
17	1	SOLENOID PLUNGER	316 ST. STL. AND NITRILE
18	1	SOLENOID BODY	316 ST. STL.

*Indicates item(s) contained in the Repair Kit

SOLENOID RELAY

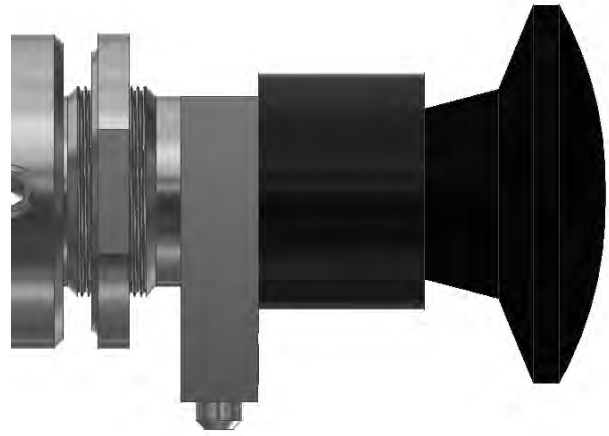
PHONE: 504-340-0055
 FAX: 504-340-0056
 EMAIL: SALES@RUELCO.COM

1209 DISTRIBUTORS ROW
 NEW ORLEANS, LA 70123

STEM PROTECTOR

OPERATION

The optional Ruelco Stem Protector is designed to prevent debris such as ice or dust from allowing the relay to open or shut properly. The stem protector shields the entire spool from the exposed elements, yet still allows the operator to open and close the relay.



RELAY ACCESSORIES

PARTS LIST

ITEM	QUANTITY	DESCRIPTION	MATERIAL
1	1	STEM PROTECTOR HOUSING	DELRIN
2	1	STEM PROTECTOR WASHER	DELRIN
3#	1	STEM PROTECTOR SEAL	NITRILE

Indicates item(s) contained in the Repair Kit

REPAIR KIT

- 15-024-000

OTHER TEMPERATURE RANGES AND SEAL
COMPOUNDS AVAILABLE UPON REQUEST

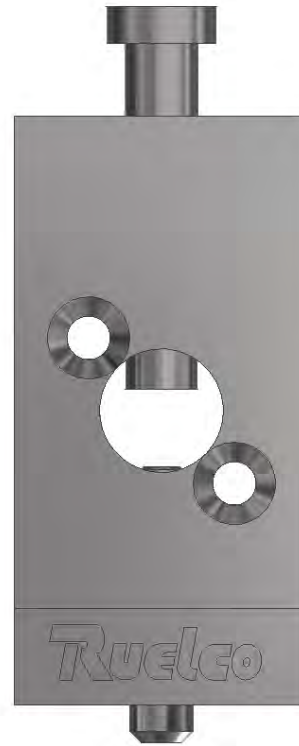
PHONE: 504-340-0055
FAX: 504-340-0056
EMAIL: SALES@RUELCO.COM

1209 DISTRIBUTORS ROW
NEW ORLEANS, LA 70123

DOUBLE DETENT

OPERATION

The optional Ruelco Double Detent is a replacement for the standard detent which allows for an extra layer of protection from accidental opening of the relay. The double detent requires the top knob to be pulled upward while the relay knob is pulled outward to open the relay. This will ensure that the relay is being intentionally opened.



RELAY ACCESSORIES

PARTS LIST

ITEM	QUANTITY	DESCRIPTION	MATERIAL
1	1	DOUBLE DETENT BODY	316 ST. STL.
2	1	DETENT PIN	17-4 ST. STL.
3	2	DETENT SPRING	MUSIC WIRE
4	1	DOUBLE DETENT SLEEVE	316 ST. STL.
5	1	DOUBLE DETENT PIN	17-4 ST. STL.
6	1	DOUBLE DETENT KNOB	316 ST. STL.

PHONE: 504-340-0055
FAX: 504-340-0056
EMAIL: SALES@RUELCO.COM

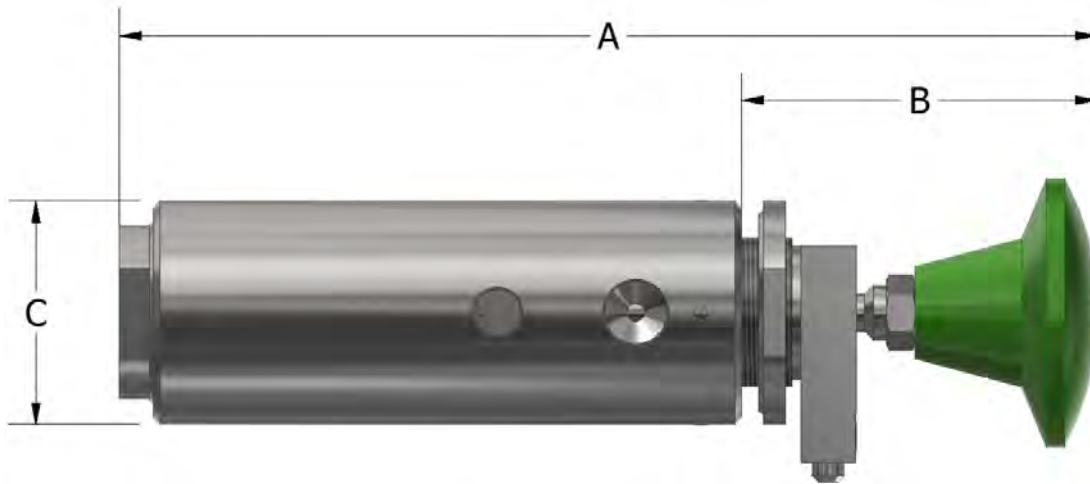
1209 DISTRIBUTORS ROW
NEW ORLEANS, LA 70123

OPERATION

The Ruelco PR-4 Relay is a pilot operated, spring return manual relay. It operates as a 3-way, block-and-bleed, normally closed relay valve with a palm knob for position indication and manual operation. In the closed position, the inlet signal will be blocked from reaching the outlet port, until the knob is manually pushed into service. The detent will allow the relay to maintain this state until a pilot signal becomes present. Once in this configuration, the relay is armed and will shut, venting the outlet pressure, with a drop in pilot signal or a manual pull on the knob. The relay will remain closed until the knob is manually pushed into service again.

FEATURES

- 316 stainless steel construction (models to N.A.C.E. MR0175 available)
- Large Cv factor assures fast system response
- Lock closed design prevents relay from automatically opening
- Design minimizes malfunctions due to supply system debris
- Inconel X-750 springs assures dependability in most corrosive environments



DIMENSIONS

A (CLOSED/OPEN)	6.30"/6.67" (160 / 169.4 mm)
B (CLOSED/OPEN)	2.36" / 2.73" (60 / 69.3 mm)
C	1.50" (38.1 mm)
INLET AND OUTLET CONNECTION PORTS	1/4" FNPT
PILOT CONNECTION PORT	1/8" FNPT
PANEL MOUNT HOLE	1.0" (25.4 mm)
MAXIMUM PANEL THICKNESS	.18" (4.6 mm)
WEIGHT	2.0 LBS (.91 kg)

PHONE: 504-340-0055
FAX: 504-340-0056
EMAIL: SALES@RUELCO.COM

1209 DISTRIBUTORS ROW
NEW ORLEANS, LA 70123

PR-4 MANUAL RESET RELAY

PARTS LIST

ITEM	QUANTITY	DESCRIPTION	MATERIAL
1A	1	GREEN KNOB (STANDARD)	PHENOLIC
1B	-	RED KNOB	PHENOLIC
1C	-	BLACK KNOB	PHENOLIC
2	1	LOCK NUT	316 ST. STL.
3A	1	DETENT ASSEMBLY	316 ST. STL.
3B	-	DETENT REPLACEMENT	DELRIN
4	1	SCREW	316 ST. STL.
5	1	PANEL MOUNT NUT (OPTIONAL)	316 ST. STL.
6*	3	SHAFT SEAL	FLUOROCARBON
7	1	SHAFT ASSEMBLY	316 ST. STL. & DELRIN
8	1	BODY	316 ST. STL.
9A	1	SPRING 20 PSI	INCONEL X-750
9B	-	SPRING 30 PSI	INCONEL X-750
10*	1	BODY SEAL	FLUOROCARBON
11	1	BASE	316 ST. STL.

*Indicates item(s) contained in the Repair Kit

PHONE: 504-340-0055
 FAX: 504-340-0056
 EMAIL: SALES@RUELCO.COM

1209 DISTRIBUTORS ROW
 NEW ORLEANS, LA 70123

SPECIFICATIONS

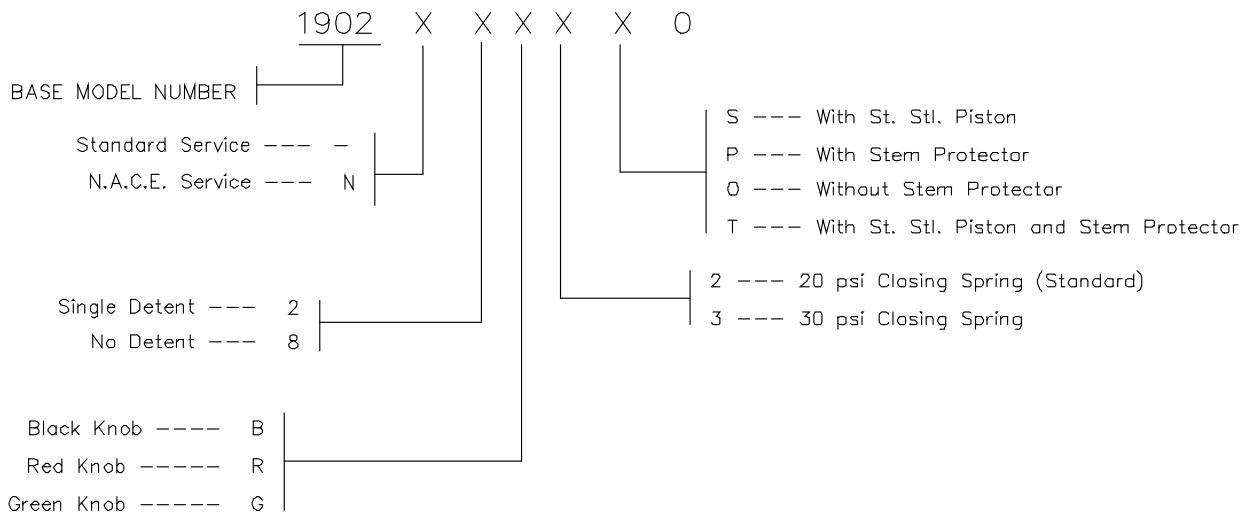
MAXIMUM WORKING PRESSURE	150 PSI (8.6 BAR)
MAXIMUM PILOT CAP PRESSURE	125 PSI (8.6 BAR)
AMBIENT TEMPERATURE RANGE	-20 TO 250° F -29 TO 122° C
MINIMUM PILOT TO SIGNAL PRESSURE TO HOLD RELAY OPEN	27 PSI (1.9 BAR) WITH 20 PSI SPRING 35 PSI (2.4 BAR) WITH 30 PSI SPRING
Cv FACTOR	.34

REPAIR KIT

- 19-004-PRK

OTHER TEMPERATURE RANGES AND SEAL COMPOUNDS AVAILABLE UPON REQUEST

ORDERING CODE



PR-4 MANUAL RESET RELAY

PHONE: 504-340-0055
FAX: 504-340-0056
EMAIL: SALES@RUELCO.COM

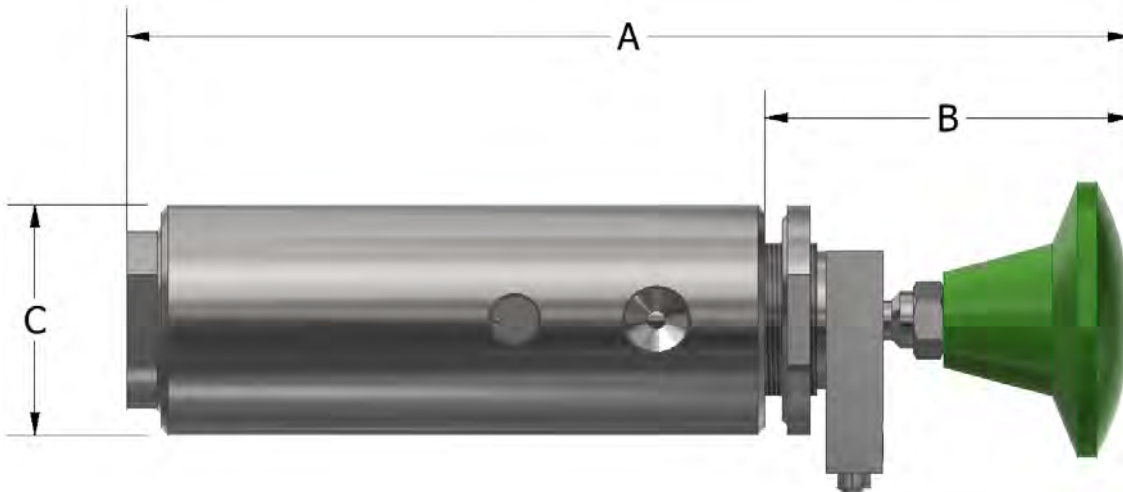
1209 DISTRIBUTORS ROW
NEW ORLEANS, LA 70123

OPERATION

The Ruelco Push-to-Charge relay is a pilot operated, spring return manual relay. It operates as a 2-way, normally closed relay valve with a palm knob for position indication and manual operation. In the closed position, the inlet signal will be blocked from reaching the outlet port, until the knob is manually pushed into service. The detent will allow the relay to maintain this state until a pilot signal becomes present. Once in this configuration, the relay is armed and will shut, blocking the inlet pressure from the outlet port, with a drop in pilot signal or a manual pull on the knob. The relay will remain closed until the knob is manually pushed into service again.

FEATURES

- 316 stainless steel construction (models to N.A.C.E. MR0175 available)
- Large Cv factor assures fast system response
- Design minimizes malfunctions due to supply system debris
- Inconel X-750 springs assures dependability in most corrosive environments



PUSH TO CHARGE RELAY

DIMENSIONS

A (CLOSED/OPEN)	6.30" / 6.67" (160 / 169.4 mm)
B (CLOSED/OPEN)	2.36" / 2.73" (60 / 69.3 mm)
C	1.50" (38.1 mm)
INLET AND OUTLET CONNECTION PORTS	1/4" FNPT
PILOT CONNECTION PORT	1/8" FNPT
PANEL MOUNT HOLE	1.0" (25.4 mm)
MAXIMUM PANEL THICKNESS	.18" (4.6 mm)
WEIGHT	2.0 LBS (.91 kg)

PHONE: 504-340-0055
 FAX: 504-340-0056
 EMAIL: SALES@RUELCO.COM

1209 DISTRIBUTORS ROW
 NEW ORLEANS, LA 70123

PARTS LIST

ITEM	QUANTITY	DESCRIPTION	MATERIAL
1A	1	GREEN KNOB (STANDARD)	PHENOLIC
1B	-	RED KNOB	PHENOLIC
1C	-	BLACK KNOB	PHENOLIC
2	1	LOCK NUT	316 ST. STL.
3A	1	DETENT ASSEMBLY	316 ST. STL.
3B	-	DETENT REPLACEMENT	DELTRIN
4	1	SCREW	316 ST. STL.
5	1	PANEL MOUNT NUT (OPTIONAL)	316 ST. STL.
6*	3	SHAFT SEAL	FLUOROCARBON
7	1	SHAFT ASSEMBLY	316 ST. STL. & DELTRIN
8	1	BODY	316 ST. STL.
9A	1	SPRING 20 PSI	INCONEL X-750
9B	-	SPRING 30 PSI	INCONEL X-750
10*	1	BODY SEAL	FLUOROCARBON
11	1	BASE	316 ST. STL.

*Indicates item(s) contained in the Repair Kit

PUSH TO CHARGE RELAY

PHONE: 504-340-0055
 FAX: 504-340-0056
 EMAIL: SALES@RUELCO.COM

1209 DISTRIBUTORS ROW
 NEW ORLEANS, LA 70123

SPECIFICATIONS

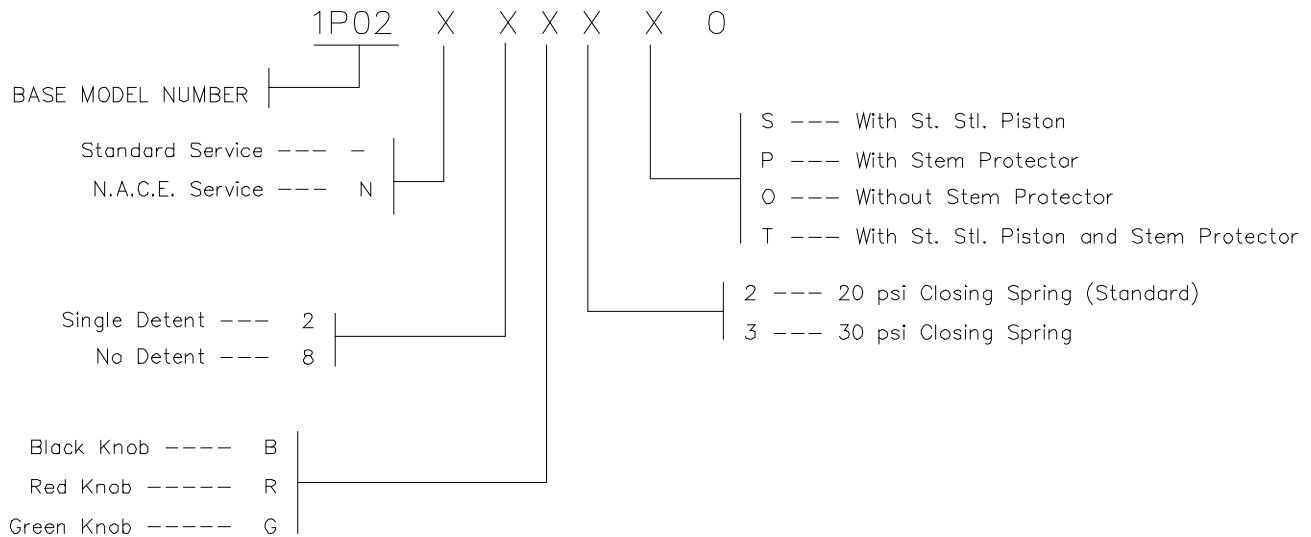
MAXIMUM WORKING PRESSURE	150 PSI (8.6 BAR)
MAXIMUM PILOT CAP PRESSURE	125 PSI (8.6 BAR)
AMBIENT TEMPERATURE RANGE	-20 TO 250° F -29 TO 122° C
MINIMUM PILOT TO SIGNAL PRESSURE TO HOLD RELAY OPEN	27 PSI (1.9 BAR) WITH 20 PSI SPRING 35 PSI (2.4 BAR) WITH 30 PSI SPRING
Cv FACTOR	.34

REPAIR KIT

- 19-004-PRK

OTHER TEMPERATURE RANGES AND SEAL COMPOUNDS AVAILABLE UPON REQUEST

ORDERING CODE



PUSH TO CHARGE RELAY

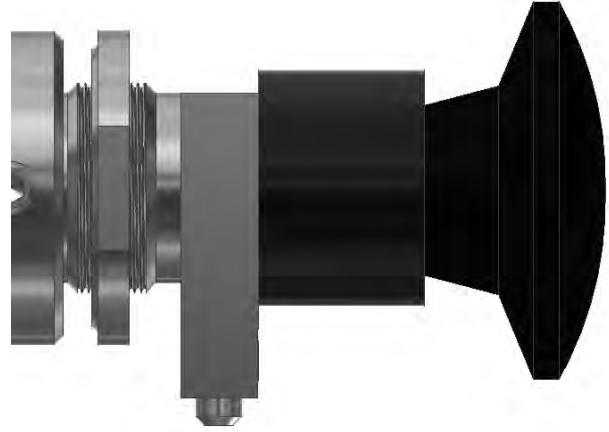
PHONE: 504-340-0055
 FAX: 504-340-0056
 EMAIL: SALES@RUELCO.COM

1209 DISTRIBUTORS ROW
 NEW ORLEANS, LA 70123

STEM PROTECTOR

OPERATION

The optional Ruelco Stem Protector is designed to prevent debris such as ice or dust from allowing the relay to open or shut properly. The stem protector shields the entire spool from the exposed elements, yet still allows the operator to open and close the relay.



PARTS LIST

ITEM	QUANTITY	DESCRIPTION	MATERIAL
1	1	STEM PROTECTOR HOUSING	DELRIN
2	1	STEM PROTECTOR WASHER	DELRIN
3#	1	STEM PROTECTOR SEAL	NITRILE

Indicates item(s) contained in the Repair Kit

REPAIR KIT

- 15-003-000

OTHER TEMPERATURE RANGES AND SEAL COMPOUNDS AVAILABLE UPON REQUEST

PHONE: 504-340-0055
FAX: 504-340-0056
EMAIL: SALES@RUELCO.COM

1209 DISTRIBUTORS ROW
NEW ORLEANS, LA 70123

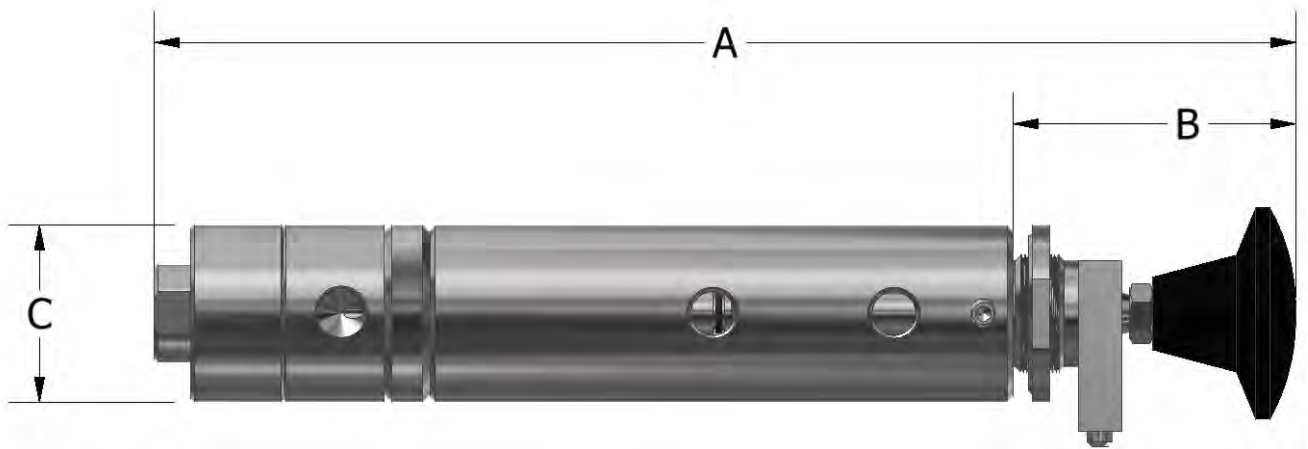
RELAY ACCESSORIES

OPERATION

The Ruelco 15A1 MP-2 Relay is a pilot operated, spring return manual relay. It operates as a 3-way, block-and-bleed, normally closed valve with a palm knob for position indication and manual operation. In the closed position, the inlet signal will be blocked from reaching the outlet port, until the knob is manually pulled into service. The detent will allow the relay to maintain this state until a pilot signal becomes present. Once in this configuration, the relay is armed and will shut closed, venting the outlet pressure, with a drop in pilot signal or a manual push on the knob. The snap acting feature allows the relay to shut quickly with a minimal loss of pilot pressure. The relay will remain closed until the knob is manually pulled into service again. The remote override allows the relay to be opened by an external pressure signal without the need for an operator to pull the knob into service.

FEATURES

- 316 stainless steel construction (models to N.A.C.E. MR0175 available)
- Large Cv factor assures fast system response
- Lock closed design prevents relay from automatically opening
- Design minimizes malfunctions due to supply system debris
- Inconel X-750 springs assures dependability in most corrosive environments



DIMENSIONS

A (CLOSED / OPEN)	10.54" / 10.91" (267.7 / 277 mm)
B (CLOSED / OPEN)	2.36" / 2.73" (60 / 69.3 mm)
C	1.50" (38.1 mm)
CONNECTION PORT SIZES	1/4" FNPT
PANEL MOUNT HOLE	1.0" (25.4 mm)
MAXIMUM PANEL THICKNESS	.18" (4.6 mm)
WEIGHT	3.2 LBS (1.45 KG)

PHONE: 504-340-0055
 FAX: 504-340-0056
 EMAIL: SALES@RUELCO.COM

1209 DISTRIBUTORS ROW
 NEW ORLEANS, LA 70123

SPECIFICATIONS

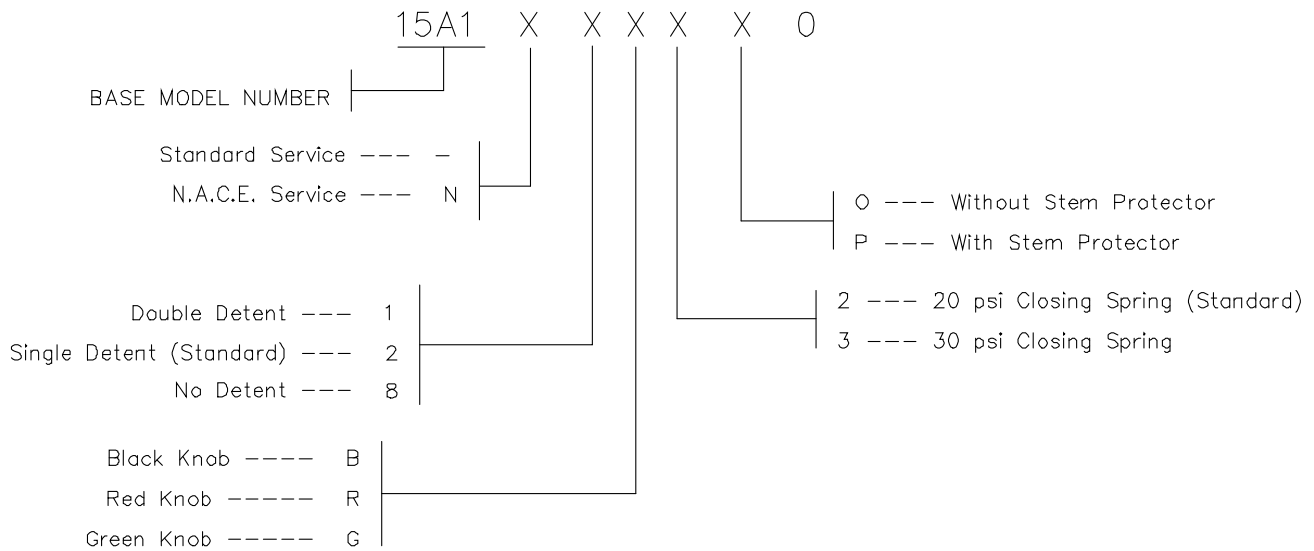
MAXIMUM WORKING PRESSURE	150 PSI (10.3 BAR)
MAXIMUM PILOT CAP PRESSURE	150 PSI (10.3 BAR)
AMBIENT TEMPERATURE RANGE	-20 TO 250° F -29 TO 122° C
MINIMUM PILOT PRESSURE TO HOLD RELAY OPEN	27 PSI (1.9 BAR) WITH 20 PSI SPRING 35 PSI (2.4 BAR) WITH 30 PSI SPRING
MINIMUM OVERRIDE PRESSURE TO OPEN RELAY	35 PSI (2.4 BAR) WITH 20 PSI SPRING 45 PSI (3.1 BAR) WITH 30 PSI SPRING
Cv FACTOR	1.7

REPAIR KIT

- 15-002-000

OTHER TEMPERATURE RANGES AND SEAL COMPOUNDS AVAILABLE UPON REQUEST

ORDERING CODE



PHONE: 504-340-0055
 FAX: 504-340-0056
 EMAIL: SALES@RUELCO.COM

1209 DISTRIBUTORS ROW
 NEW ORLEANS, LA 70123

PARTS LIST

ITEM	QUANTITY	DESCRIPTION	MATERIAL
1	1	KNOB	PHENOLIC
2	1	LOCK NUT	316 ST. STL.
3	1	DETENT ASSEMBLY	316 AND 17-4 ST. STL.
4	2	SCREW	316 ST. STL.
5	1	PANEL MOUNT NUT (OPTIONAL)	316 ST. STL.
6	3	SET SCREW	316 ST. STL.
7	1	MOUNTING HEAD	316 ST. STL.
8*	1	HEAD SEAL	NITRILE
9*	4	SHAFT SEAL	FLUOROCARBON
10	1	SHAFT ASSEMBLY	316 ST. STL.
11	1	BODY	316 ST. STL.
12A	1	20 PSI SPRING	INCONEL X-750
12B	-	30 PSI SPRING (OPTIONAL)	INCONEL X-750
13*	1	PISTON SEAL	NITRILE
14*	1	BASE SEAL	FLUOROCARBON
15	1	BASE	316 ST. STL.
16	1	OVERRIDE BODY	316 ST. STL.
17	1	FLANGE RING	316 ST. STL.
18	1	FLANGE SEAL	FLUOROCARBON
19	1	SLIP RING	316 ST. STL.
20	1	OVERRIDE SPOOL	316 ST. STL.
21	1	OVERRIDE PISTON	316 ST. STL.
22	1	SPOOL/ PISTON SEAL	FLUOROCARBON
23	1	PISTON SEAL	NITRILE
24	1	HEX NUT	316 ST. STL.
25	1	LOCK WASHER	316 ST. STL.
26	1	END CAP	316 ST. STL.
27	1	END CAP SEAL	FLUOROCARBON

*Indicates item(s) contained in the Repair Kit

PHONE: 504-340-0055
 FAX: 504-340-0056
 EMAIL: SALES@RUELCO.COM

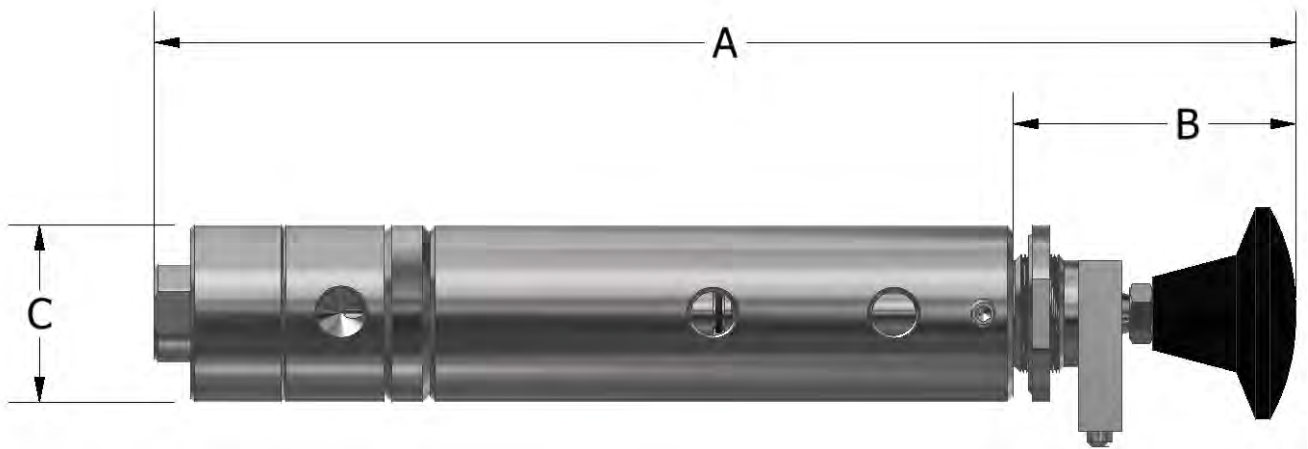
1209 DISTRIBUTORS ROW
 NEW ORLEANS, LA 70123

OPERATION

The Ruelco 15A1 MP-2H Hydraulic Relay is a pilot operated, spring return manual relay. It operates as a 3-way, block-and-bleed, normally closed valve with a palm knob for position indication and manual operation. In the closed position, the inlet signal will be blocked from reaching the outlet port, until the knob is manually pulled into service. The detent will allow the relay to maintain this state until a pilot signal becomes present. Once in this configuration, the relay is armed and will shut closed, venting the outlet pressure, with a drop in pilot signal or a manual push on the knob. The snap acting feature allows the relay to shut quickly with a minimal loss of pilot pressure. The relay will remain closed until the knob is manually pulled into service again. The remote override allows the relay to be opened by an external pressure signal without the need for an operator to pull the knob into service.

FEATURES

- 316 stainless steel construction (models to N.A.C.E. MR0175 available)
- Large Cv factor assures fast system response
- Lock closed design prevents relay from automatically opening
- Design minimizes malfunctions due to supply system debris
- Inconel X-750 springs assures dependability in most corrosive environments



DIMENSIONS

A (CLOSED / OPEN)	10.54" / 10.91" (267.7 / 277 mm)
B (CLOSED / OPEN)	2.36" / 2.73" (60 / 69.3 mm)
C	1.50" (38.1 mm)
CONNECTION PORT SIZES	1/4" FNPT
PANEL MOUNT HOLE	1.0" (25.4 mm)
MAXIMUM PANEL THICKNESS	.18" (4.6 mm)
WEIGHT	3.2 LBS (1.45 KG)

PHONE: 504-340-0055
 FAX: 504-340-0056
 EMAIL: SALES@RUELCO.COM

1209 DISTRIBUTORS ROW
 NEW ORLEANS, LA 70123

SPECIFICATIONS

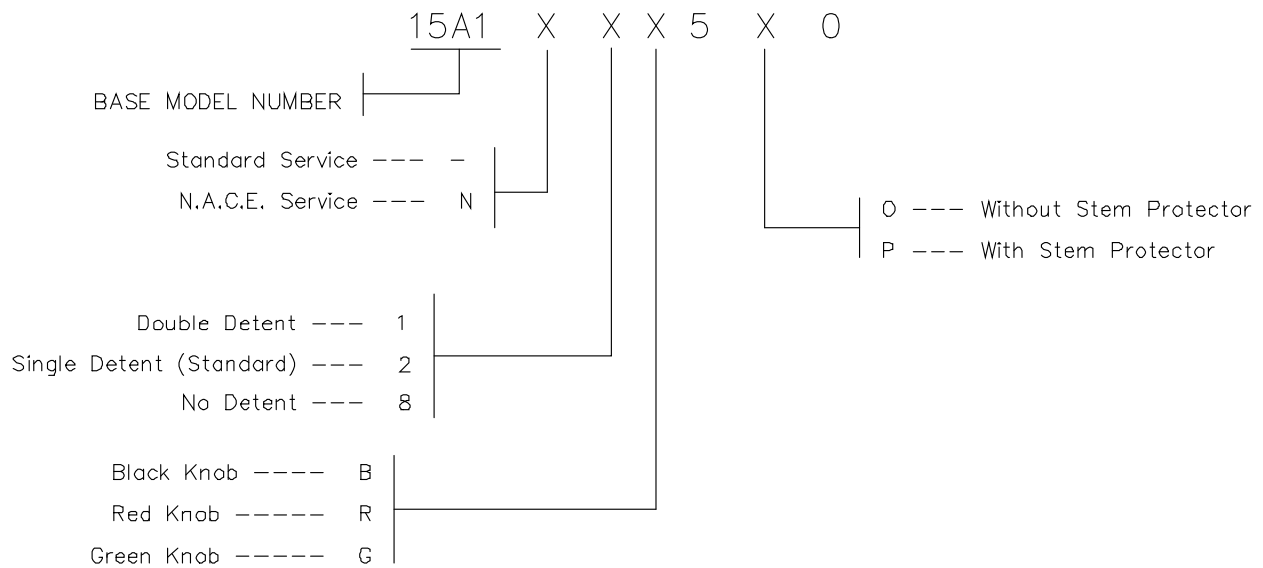
MAXIMUM WORKING PRESSURE	150 PSI (10.3 BAR)
MAXIMUM PILOT CAP PRESSURE	150 PSI (10.3 BAR)
AMBIENT TEMPERATURE RANGE	-20 TO 250° F -29 TO 122° C
MINIMUM PILOT PRESSURE TO HOLD RELAY OPEN	65 PSI (4.5 BAR)
MINIMUM OVERRIDE PRESSURE TO OPEN RELAY	65 PSI (4.5 BAR)
Cv FACTOR	1.7

REPAIR KIT

- 15-002-000

OTHER TEMPERATURE RANGES AND SEAL COMPOUNDS AVAILABLE UPON REQUEST

ORDERING CODE



MP-2H REMOTE RESET MANUAL RELAY

PHONE: 504-340-0055
 FAX: 504-340-0056
 EMAIL: SALES@RUELCO.COM

1209 DISTRIBUTORS ROW
 NEW ORLEANS, LA 70123

PARTS LIST

ITEM	QUANTITY	DESCRIPTION	MATERIAL
1	1	KNOB	PHENOLIC
2	1	LOCK NUT	316 ST. STL.
3	1	DETENT ASSEMBLY	316 AND 17-4 ST. STL.
4	2	SCREW	316 ST. STL.
5	1	PANEL MOUNT NUT (OPTIONAL)	316 ST. STL.
6	3	SET SCREW	316 ST. STL.
7	1	MOUNTING HEAD	316 ST. STL.
8*	1	HEAD SEAL	NITRILE
9*	4	SHAFT SEAL	FLUOROCARBON
10	1	SHAFT ASSEMBLY	316 ST. STL.
11	1	BODY	316 ST. STL.
12A	1	20 PSI SPRING	INCONEL X-750
12B	1	HYDRAULIC SPRING	316 ST. STL.
13*	1	PISTON SEAL	NITRILE
14*	1	BASE SEAL	FLUOROCARBON
15	1	BASE	316 ST. STL.
16	1	OVERRIDE BODY	316 ST. STL.
17	1	FLANGE RING	316 ST. STL.
18	1	FLANGE SEAL	FLUOROCARBON
19	1	SLIP RING	316 ST. STL.
20	1	OVERRIDE SPOOL	316 ST. STL.
21	1	OVERRIDE PISTON	316 ST. STL.
22	1	SPOOL/ PISTON SEAL	FLUOROCARBON
23	1	PISTON SEAL	NITRILE
24	1	HEX NUT	316 ST. STL.
25	1	LOCK WASHER	316 ST. STL.
26	1	END CAP	316 ST. STL.
27	1	END CAP SEAL	FLUOROCARBON

*Indicates item(s) contained in the Repair Kit

PHONE: 504-340-0055
 FAX: 504-340-0056
 EMAIL: SALES@RUELCO.COM

1209 DISTRIBUTORS ROW
 NEW ORLEANS, LA 70123

STEM PROTECTOR

OPERATION

The optional Ruelco Stem Protector is designed to prevent debris such as ice or dust from allowing the relay to open or shut properly. The stem protector shields the entire spool from the exposed elements, yet still allows the operator to open and close the relay.



PARTS LIST

ITEM	QUANTITY	DESCRIPTION	MATERIAL
1	1	STEM PROTECTOR HOUSING	DELRIN
2	1	STEM PROTECTOR WASHER	DELRIN
3#	1	STEM PROTECTOR SEAL	NITRILE

Indicates item(s) contained in the Repair Kit

REPAIR KIT

- 15-003-000

OTHER TEMPERATURE RANGES AND SEAL
COMPOUNDS AVAILABLE UPON REQUEST

PHONE: 504-340-0055
FAX: 504-340-0056
EMAIL: SALES@RUELCO.COM

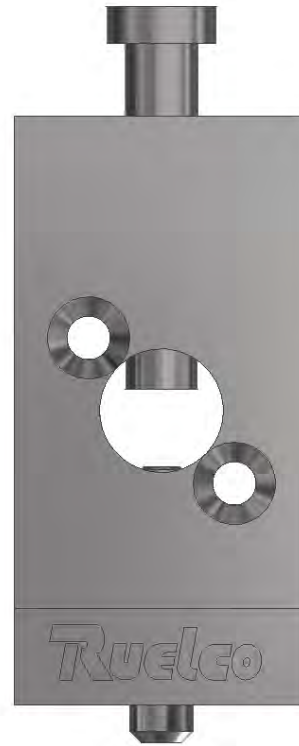
1209 DISTRIBUTORS ROW
NEW ORLEANS, LA 70123

RELAY ACCESSORIES

DOUBLE DETENT

OPERATION

The optional Ruelco Double Detent is a replacement for the standard detent which allows for an extra layer of protection from accidental opening of the relay. The double detent requires the top knob to be pulled upward while the relay knob is pulled outward to open the relay. This will ensure that the relay is being intentionally opened.



RELAY ACCESSORIES

PARTS LIST

ITEM	QUANTITY	DESCRIPTION	MATERIAL
1	1	DOUBLE DETENT BODY	316 ST. STL.
2	1	DETENT PIN	17-4 ST. STL.
3	2	DETENT SPRING	MUSIC WIRE
4	1	DOUBLE DETENT SLEEVE	316 ST. STL.
5	1	DOUBLE DETENT PIN	17-4 ST. STL.
6	1	DOUBLE DETENT KNOB	316 ST. STL.

PHONE: 504-340-0055
FAX: 504-340-0056
EMAIL: SALES@RUELCO.COM

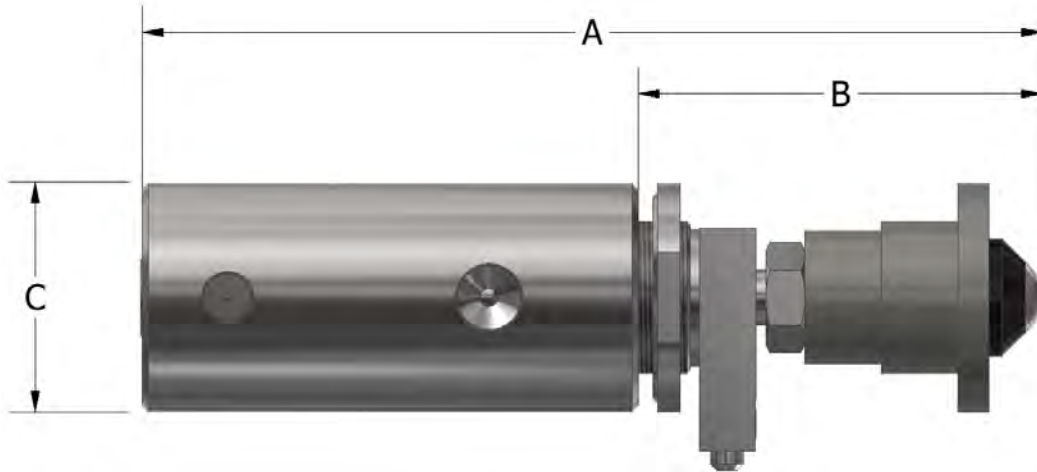
1209 DISTRIBUTORS ROW
NEW ORLEANS, LA 70123

OPERATION

The Ruelco MP-4 Pilot Indicating Relay is a pilot operated, spring return manual relay. It operates as a 3-way, block-and-bleed, normally closed valve with red/ green indicating palm knob. In the closed position, the inlet signal will be blocked from reaching the outlet port, until the knob is manually pulled into service. The detent will allow the relay to maintain this state until a pilot signal becomes present. The red/green indicator will display red until the pilot signal is present and the knob is pulled, opening the valve. Once in this configuration, the relay is armed, the indicator will display green. With a loss of the pilot signal or push on the knob, the relay will shut closed, venting the outlet pressure. The relay will remain closed until the knob is manually pulled into service again.

FEATURES

- 316 stainless steel construction (models to N.A.C.E. MR1075 available)
- Can be repaired without removing relay from system or panel
- Design minimizes malfunctions due to supply system debris
- Inconel X-750 spring assures dependability in most corrosive environments
- Lock closed design prevents relay from automatically opening
- Indicating knob for green/red visual status of relay operation



DIMENSIONS

A (CLOSED/OPEN)	5.61 / 6.10" (142.4 / 154.9 mm)
B (CLOSED/OPEN)	2.36 / 2.85" (60 / 72.4 mm)
C	1.50" (38.1 mm)
INLET & OUTLET PORTS	1/4" FNPT
PILOT PORT	1/8" FNPT
PANEL MOUNT HOLE	1.0" (25.4 mm)
MAXIMUM PANEL THICKNESS	.18" (4.6 mm)
WEIGHT	1.6 LBS (.72 KG)

PHONE: 504-340-0055
 FAX: 504-340-0056
 EMAIL: SALES@RUELCO.COM

1209 DISTRIBUTORS ROW
 NEW ORLEANS, LA 70123

PARTS LIST

ITEM	QUANTITY	DESCRIPTION	MATERIAL
1	1	INDICATING KNOB ASSEMBLY	316 ST. STL. & PLASTIC
2*	1	KNOB SEAL	FLUOROCARBON
3	1	LOCK NUT	316 ST. STL.
4A	1	DETENT ASSEMBLY	CF-8M & 316 ST. STL.
4B	-	DETENT REPLACEMENT (NO DETENT)	DELTRIN
5	2	SCREW	316 ST. STL.
6	1	PANEL MOUNT NUT (OPTIONAL)	316 ST. STL.
7*	3	SHAFT SEAL	FLUOROCARBON
8	1	SHAFT ASSEMBLY	316 ST. STL.
9	1	BODY	316 ST. STL.
10A	1	SPRING (20 PSI)	316 ST. STL.
10B	-	SPRING (30 PSI)	316 ST. STL.
11*	1	BODY SEAL	FLUOROCARBON
12*	1	PISTON SEAL	NITRILE
13*	1	BASE SEAL	FLUOROCARBON
14*	1	RETAINING RING	316 ST. STL.
15	1	ST. STL. BASE	316 ST. STL.

*Indicates item(s) contained in the Repair Kit

PHONE: 504-340-0055
 FAX: 504-340-0056
 EMAIL: SALES@RUELCO.COM

1209 DISTRIBUTORS ROW
 NEW ORLEANS, LA 70123

SPECIFICATIONS

VALVE BODY MAXIMUM WORKING PRESSURE	150 PSI (10.3 BAR)
PILOT CAP MAXIMUM WORKING PRESSURE	125 PSI (8.6 BAR)
AMBIENT TEMPERATURE RANGE	-20 TO 250° F -29 TO 122 °C
MINIMUM PILOT SIGNAL PRESSURE TO HOLD RELAY OPEN	25 (1.7) WITH 20 PSI SPRING 35 (2.4) WITH 30 PSI SPRING
Cv FACTOR	.34

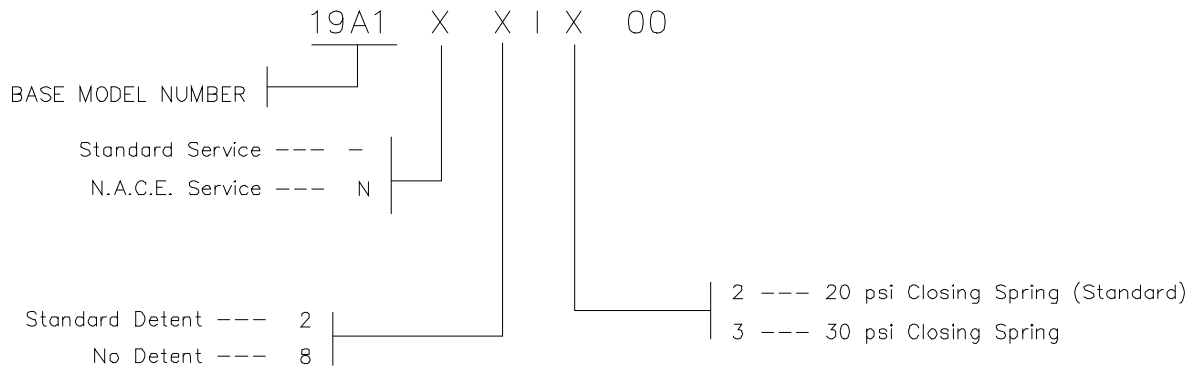
REPAIR KIT

- 19-019-000

OTHER TEMPERATURE RANGES AND SEAL COMPOUNDS

AVAILABLE UPON REQUEST

ORDERING CODE



PHONE: 504-340-0055
 FAX: 504-340-0056
 EMAIL: SALES@RUELCO.COM

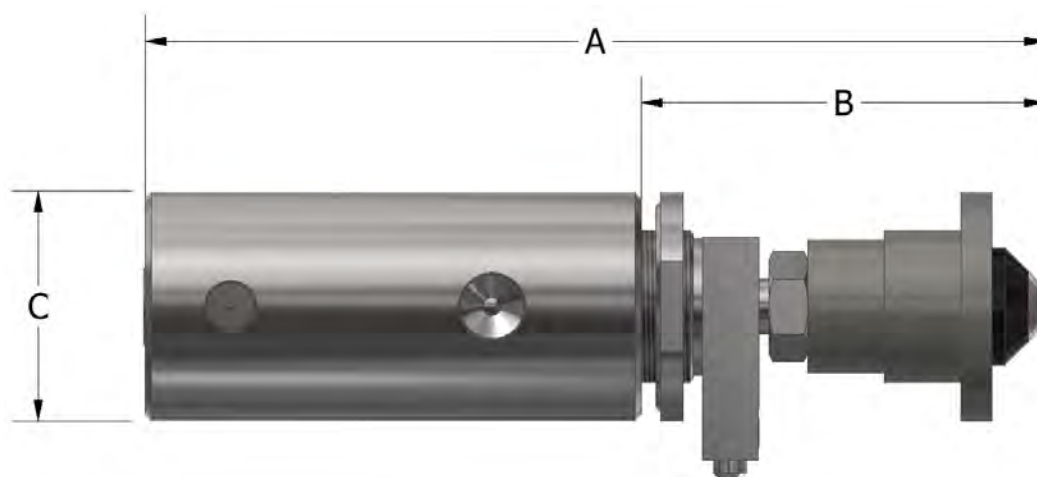
1209 DISTRIBUTORS ROW
 NEW ORLEANS, LA 70123

OPERATION

The Ruelco MP-4 indicating relay is a pilot operated, spring return manual relay. It operates as a 3-way, block-and-bleed, normally closed valve with red/ green indicating palm knob. In the closed position, the inlet signal will be blocked from reaching the outlet port, until the knob is manually pulled into service. The detent will allow the relay to maintain this state until a pilot signal becomes present. The red/green indicator will display green if pressure is present at the outlet port, even without a pilot signal. Once in this configuration, the relay is armed. With a loss of the pilot signal or push on the knob, the relay will shut closed, venting the outlet pressure. The relay will remain closed until the knob is manually pulled into service again.

FEATURES

- 316 stainless steel construction (models to N.A.C.E. MR1075 available)
- Can be repaired without removing relay from system or panel
- Design minimizes malfunctions due to supply system debris
- Inconel X-750 spring assures dependability in most corrosive environments
- Lock closed design prevents relay from automatically opening
- Indicating knob for green/red visual status of relay operation



DIMENSIONS

A (CLOSED/OPEN)	5.61 / 6.10" (142.4 / 154.9 mm)
B (CLOSED/OPEN)	2.36 / 2.85" (60 / 72.4 mm)
C	1.50" (38.1 mm)
INLET & OUTLET PORTS	1/4" FNPT
PILOT PORT	1/8" FNPT
PANEL MOUNT HOLE	1.0" (25.4 mm)
MAXIMUM PANEL THICKNESS	.18" (4.6 mm)
WEIGHT	1.6 LBS (.72 KG)

PHONE: 504-340-0055
 FAX: 504-340-0056
 EMAIL: SALES@RUELCO.COM

1209 DISTRIBUTORS ROW
 NEW ORLEANS, LA 70123

PARTS LIST

ITEM	QUANTITY	DESCRIPTION	MATERIAL
1	1	INDICATING KNOB ASSEMBLY	316 ST. STL. & PLASTIC
2*	1	KNOB SEAL	FLUOROCARBON
3	1	LOCK NUT	316 ST. STL.
4A	1	DETENT ASSEMBLY	CF-8M & 316 ST. STL.
4B	-	DETENT REPLACEMENT (NO DETENT)	DELRIN
5	2	SCREW	316 ST. STL.
6	1	PANEL MOUNT NUT (OPTIONAL)	316 ST. STL.
7*	3	SHAFT SEAL	FLUOROCARBON
8	1	SHAFT ASSEMBLY	316 ST. STL.
9	1	BODY	316 ST. STL.
10A	1	SPRING (20 PSI)	316 ST. STL.
10B	-	SPRING (30 PSI)	316 ST. STL.
11*	1	BODY SEAL	FLUOROCARBON
12*	1	PISTON SEAL	NITRILE
13*	1	BASE SEAL	FLUOROCARBON
14*	1	RETAINING RING	316 ST. STL.
15	1	ST. STL. BASE	316 ST. STL.

*Indicates item(s) contained in the Repair Kit

PHONE: 504-340-0055
 FAX: 504-340-0056
 EMAIL: SALES@RUELCO.COM

1209 DISTRIBUTORS ROW
 NEW ORLEANS, LA 70123

SPECIFICATIONS

VALVE BODY MAXIMUM WORKING PRESSURE	150 PSI (10.3 BAR)
PILOT CAP MAXIMUM WORKING PRESSURE	125 PSI (8.6 BAR)
AMBIENT TEMPERATURE RANGE	-20 TO 250° F -29 TO 122 °C
MINIMUM PILOT SIGNAL PRESSURE TO HOLD RELAY OPEN	25 (1.7) WITH 20 PSI SPRING 35 (2.4) WITH 30 PSI SPRING
Cv FACTOR	.34

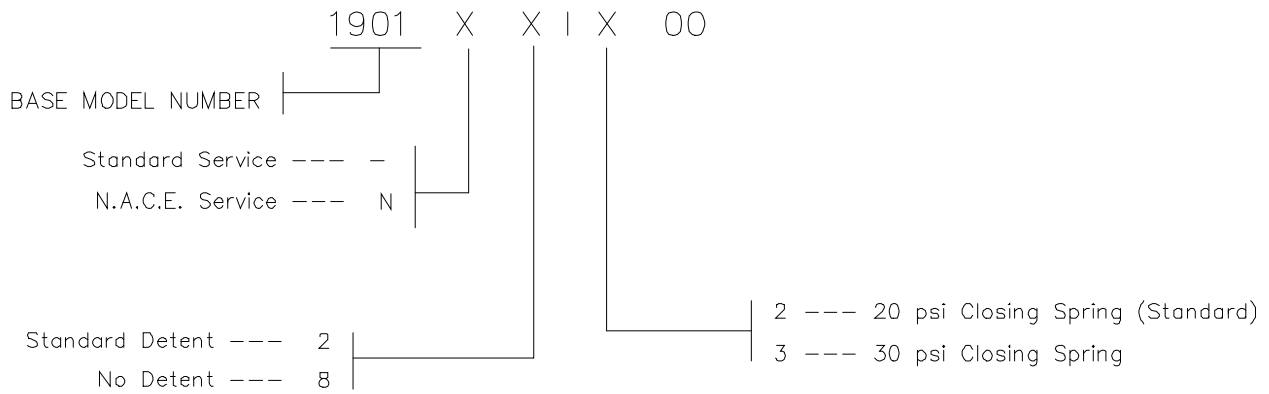
REPAIR KIT

- 19-019-000

OTHER TEMPERATURE RANGES AND SEAL COMPOUNDS

AVAILABLE UPON REQUEST

ORDERING CODE



PHONE: 504-340-0055
 FAX: 504-340-0056
 EMAIL: SALES@RUELCO.COM

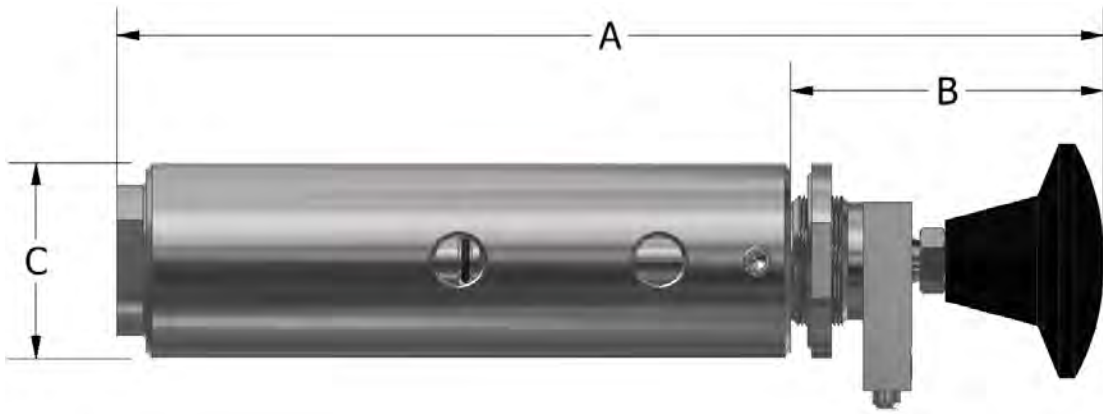
1209 DISTRIBUTORS ROW
 NEW ORLEANS, LA 70123

OPERATION

The Ruelco 10A1 MP-2 relay is a pilot operated, spring return manual relay. It operates as a 3-way, block-and-bleed, normally closed valve with a palm knob for position indication and manual operation. In the closed position, the inlet signal will be blocked from reaching the outlet port, until the knob is manually pulled into service. The detent will allow the relay to maintain this state until a pilot signal becomes present. Once in this configuration, the relay is armed and will shut closed, venting the outlet pressure, with a drop in pilot signal or a manual push on the knob. The snap acting feature allows the relay to shut quickly with a minimal loss of pilot pressure. The relay will remain closed until the knob is manually pulled into service again.

FEATURES

- 316 stainless steel construction (models to N.A.C.E. MR0175 available)
- Large Cv factor assures fast system response
- Lock closed design prevents relay from automatically opening
- Design minimizes malfunctions due to supply system debris
- Inconel X-750 springs assures dependability in most corrosive environments



DIMENSIONS

A (CLOSED / OPEN)	7.54" / 7.91" (191.5 / 201 mm)
B (CLOSED / OPEN)	2.36" / 2.73" (60 / 69.3 mm)
C	1.50" (38.1 mm)
CONNECTION PORT SIZES	1/4" FNPT
PANEL MOUNT HOLE	1.0" (25.4 mm)
MAXIMUM PANEL THICKNESS	.18" (4.6 mm)
WEIGHT	2.5 LBS (1.14 KG)

PHONE: 504-340-0055
 FAX: 504-340-0056
 EMAIL: SALES@RUELCO.COM

1209 DISTRIBUTORS ROW
 NEW ORLEANS, LA 70123

SPECIFICATIONS

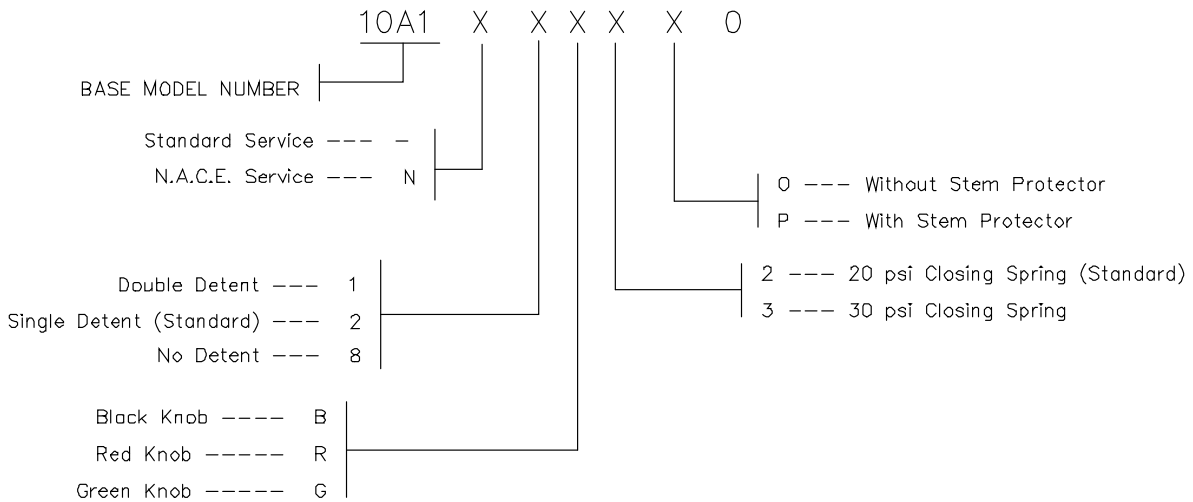
MAXIMUM WORKING PRESSURE	250 PSI (17.2 BAR)
MAXIMUM PILOT CAP PRESSURE	125 PSI (8.6 BAR)
AMBIENT TEMPERATURE RANGE	-20 TO 250° F -29 TO 122° C
MINIMUM PILOT PRESSURE TO HOLD RELAY OPEN	27 PSI (1.9 BAR) WITH 20 PSI SPRING 35 PSI (2.4 BAR) WITH 30 PSI SPRING
Cv FACTOR	1.7

REPAIR KIT

- 10-013-0B0

OTHER TEMPERATURE RANGES AND SEAL COMPOUNDS AVAILABLE UPON REQUEST

ORDERING CODE



MP-2 N.C. MANUAL RESET RELAY

PHONE: 504-340-0055
 FAX: 504-340-0056
 EMAIL: SALES@RUELCO.COM

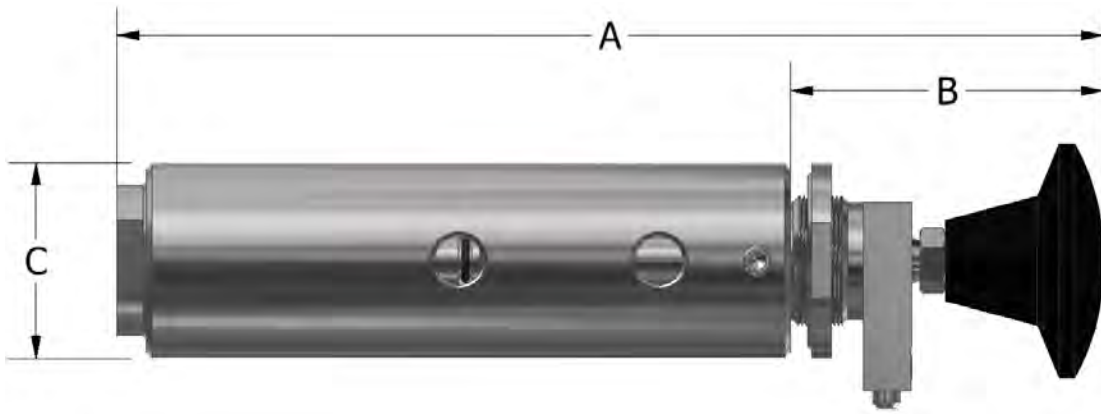
1209 DISTRIBUTORS ROW
 NEW ORLEANS, LA 70123

OPERATION

The Ruelco 10A1 MP-2H hydraulic relay is a pilot operated, spring return manual relay. It operates as a 3-way, block-and-bleed, normally closed valve with a palm knob for position indication and manual operation. In the closed position, the inlet signal will be blocked from reaching the outlet port, until the knob is manually pulled into service. The detent will allow the relay to maintain this state until a pilot signal becomes present. Once in this configuration, the relay is armed and will shut closed, venting the outlet pressure, with a drop in pilot signal or a manual push on the knob. The snap acting feature allows the relay to shut quickly with a minimal loss of pilot pressure. The relay will remain closed until the knob is manually pulled into service again.

FEATURES

- 316 stainless steel construction (models to N.A.C.E. MR0175 available)
- Large Cv factor assures fast system response
- Lock closed design prevents relay from automatically opening
- Design minimizes malfunctions due to supply system debris
- Inconel X-750 springs assures dependability in most corrosive environments



DIMENSIONS

A (CLOSED / OPEN)	7.54" / 7.91" (191.5 / 201 mm)
B (CLOSED / OPEN)	2.36" / 2.73" (60 / 69.3 mm)
C	1.50" (38.1 mm)
CONNECTION PORT SIZES	1/4" FNPT
PANEL MOUNT HOLE	1.0" (25.4 mm)
MAXIMUM PANEL THICKNESS	.18" (4.6 mm)
WEIGHT	2.5 LBS (1.14 KG)

PHONE: 504-340-0055
 FAX: 504-340-0056
 EMAIL: SALES@RUELCO.COM

1209 DISTRIBUTORS ROW
 NEW ORLEANS, LA 70123

MP-2H N.C. MANUAL RESET RELAY

SPECIFICATIONS

MAXIMUM WORKING PRESSURE	150 PSI (10.3 BAR)
MAXIMUM PILOT CAP PRESSURE	125 PSI (8.6 BAR)
AMBIENT TEMPERATURE RANGE	-20 TO 250° F -29 TO 122° C
MINIMUM PILOT PRESSURE TO HOLD RELAY OPEN	65 PSI (4.5 BAR)
Cv FACTOR	1.7

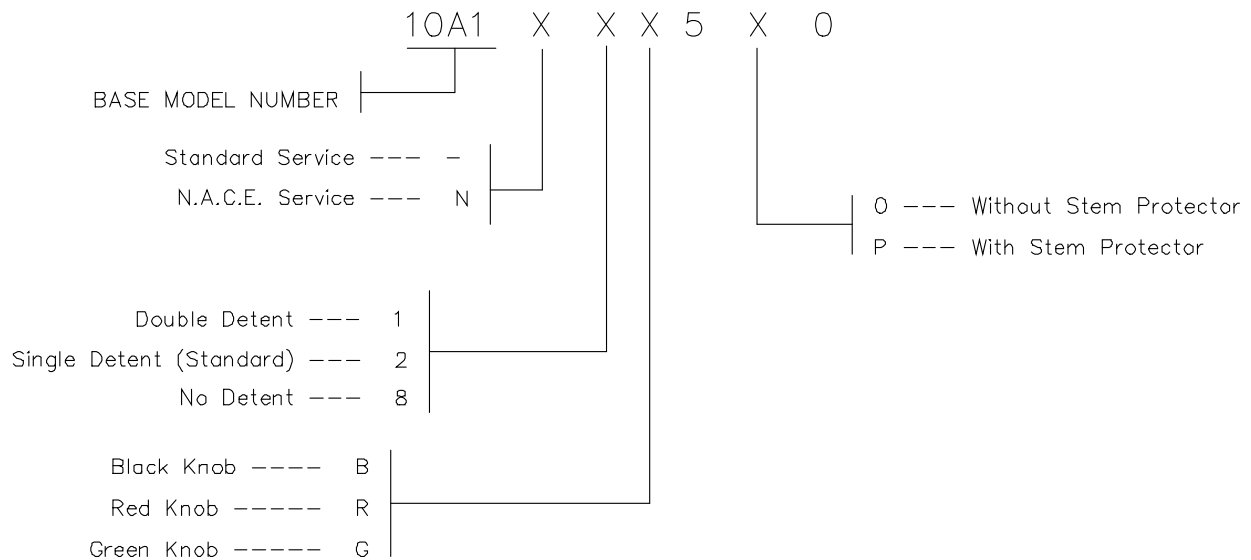
REPAIR KIT

- 10-013-0B0

OTHER TEMPERATURE RANGES AND SEAL COMPOUNDS AVAILABLE UPON REQUEST

MP-2H N.C. MANUAL RESET RELAY

ORDERING CODE



PHONE: 504-340-0055
 FAX: 504-340-0056
 EMAIL: SALES@RUELCO.COM

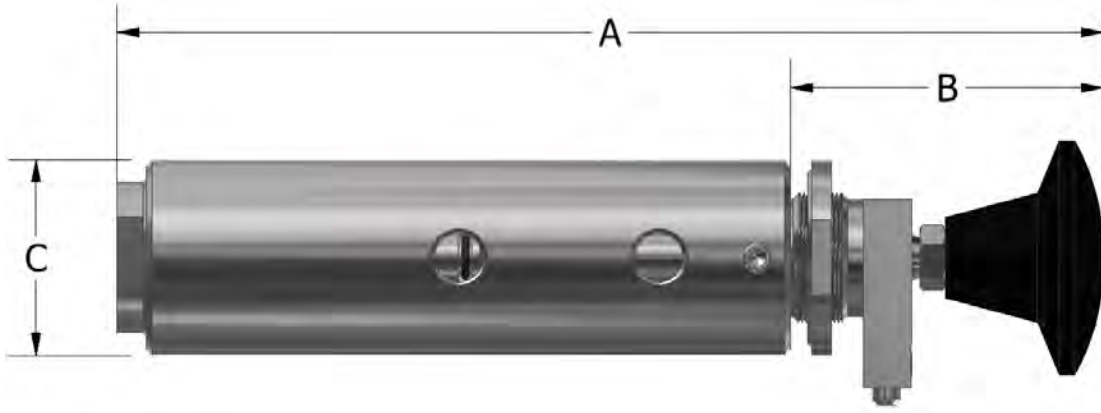
1209 DISTRIBUTORS ROW
 NEW ORLEANS, LA 70123

OPERATION

The Ruelco 10A2 MP-2 relay is a pilot operated, spring return manual relay. It operates as a 3-way, block and bleed, normally open valve with a palm knob for position indication and manual operation. In the open position, the inlet signal will flow to the outlet port, until the knob is manually pulled into service. The detent will allow the relay to maintain this state until a pilot signal becomes present. Once in this configuration, the relay is armed and will reopen, allowing inlet pressure to the outlet port, with a drop in pilot signal or a manual push on the knob. The snap acting feature allows the relay to shut quickly with a minimal loss of pilot pressure. The relay will remain open until the knob is manually pulled into service again.

FEATURES

- 316 stainless steel construction (models to N.A.C.E. MR0175 available)
- Large Cv factor assures fast system response
- May be used in pneumatic or hydraulic systems
- Lock Closed design prevents relay from automatically opening
- Design minimizes malfunctions due to supply system debris
- Inconel X-750 springs assures dependability in most corrosive environments



DIMENSIONS

A (CLOSED / OPEN)	7.54" / 7.91" (191.5 / 201 mm)
B (CLOSED / OPEN)	2.36" / 2.73" (60 / 69.3 mm)
C	1.50" (38.1 mm)
CONNECTION PORT SIZES	1/4" FNPT
PANEL MOUNT HOLE	1.0" (25.4 mm)
MAXIMUM PANEL THICKNESS	.18" (4.6 mm)
WEIGHT	2.5 LB (1.14 KG)

PHONE: 504-340-0055
 FAX: 504-340-0056
 EMAIL: SALES@RUELCO.COM

1209 DISTRIBUTORS ROW
 NEW ORLEANS, LA 70123

SPECIFICATIONS

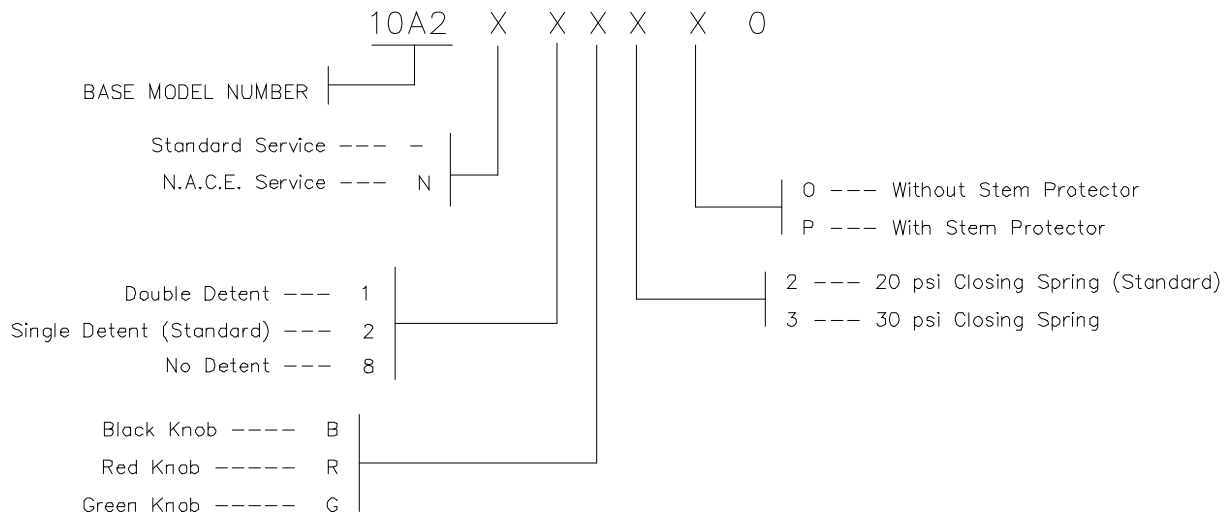
MAXIMUM WORKING PRESSURE	250 PSI (17.2 BAR)
MAXIMUM PILOT CAP PRESSURE	125 PSI (8.6 BAR)
AMBIENT TEMPERATURE RANGE	-20 TO 250° F -29 TO 122° C
MINIMUM PILOT PRESSURE TO HOLD RELAY OPEN	27 PSI (1.9 BAR) WITH 20 PSI SPRING 35 PSI (2.4 BAR) WITH 30 PSI SPRING
Cv FACTOR	1.7

REPAIR KIT

- 10-013-0B0

OTHER TEMPERATURE RANGES AND SEAL COMPOUNDS AVAILABLE UPON REQUEST

ORDERING CODE



MP-2 N.O. MANUAL RESET RELAY

PHONE: 504-340-0055
FAX: 504-340-0056
EMAIL: SALES@RUELCO.COM

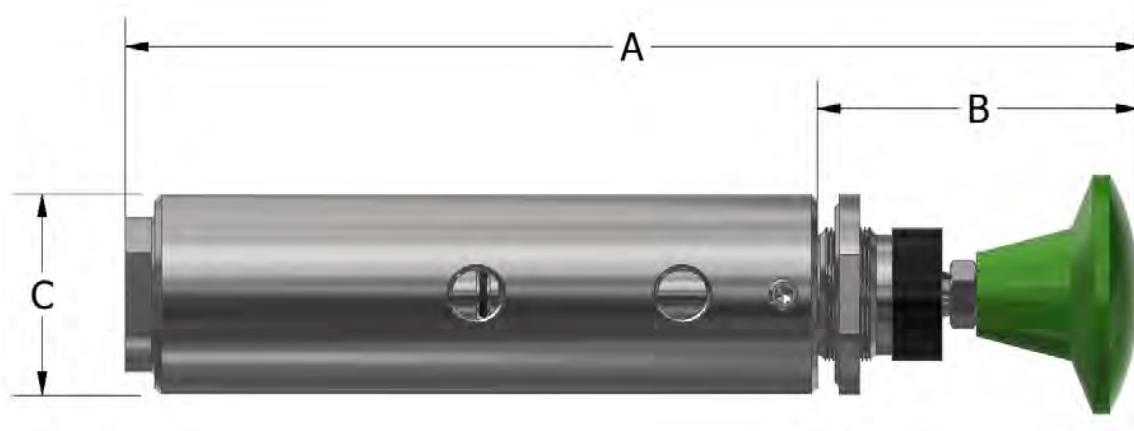
1209 DISTRIBUTORS ROW
NEW ORLEANS, LA 70123

OPERATION

The Ruelco 12A1 AR-1 relay is a pilot operated, spring return automatic relay. It operates as a 3-way, block and bleed, normally closed valve with a palm knob for position indication and manual operation. In the closed position, the inlet signal will be blocked from reaching the outlet port, until a pilot signal becomes present. Once in this configuration, the relay is armed and will shut closed, venting the outlet pressure, with a drop in pilot signal or a manual push on the knob. The snap acting feature allows the relay to shut quickly with a minimal loss of pilot pressure. The relay will reopen if the knob is manually pulled into service or if the pilot supply once again becomes present.

FEATURES

- 316 stainless steel construction (models to N.A.C.E. MR0175 available)
- Large Cv factor assures fast system response
- Design minimizes malfunctions due to supply system debris
- Inconel X-750 springs assures dependability in most corrosive environments



DIMENSIONS

A (CLOSED / OPEN)	7.54" / 7.91" (191.5 / 201 mm)
B (CLOSED / OPEN)	2.36" / 2.73" (60 / 69.3 mm)
C	1.50" (38.1 mm)
CONNECTION PORT SIZES	1/4" FNPT
PANEL MOUNT HOLE	1.0" (25.4 mm)
MAXIMUM PANEL THICKNESS	.18" (4.6 mm)
WEIGHT	2.5 LBS (1.14 KG)

PHONE: 504-340-0055
 FAX: 504-340-0056
 EMAIL: SALES@RUELCO.COM

1209 DISTRIBUTORS ROW
 NEW ORLEANS, LA 70123

SPECIFICATIONS

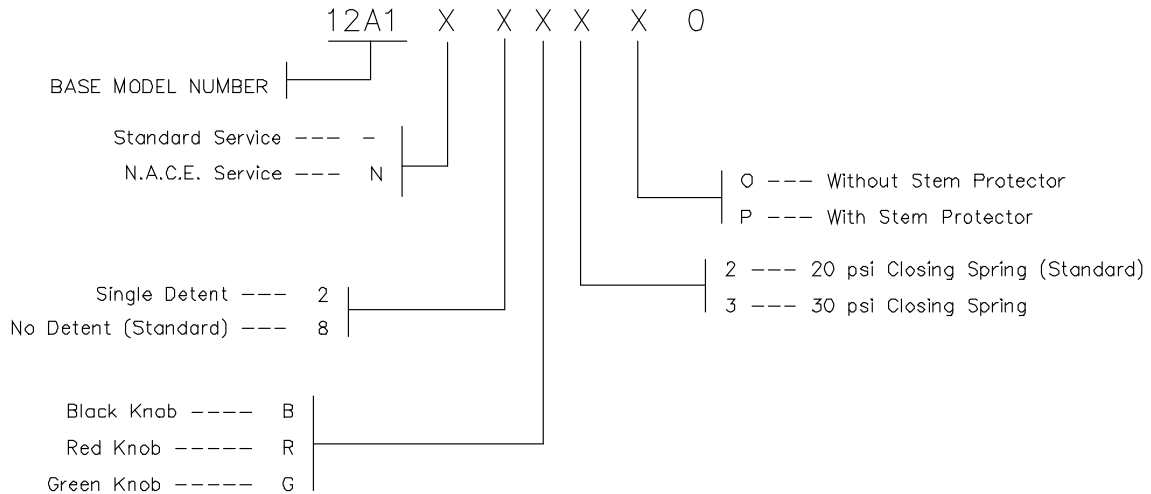
MAXIMUM WORKING PRESSURE	250 PSI (17.2 BAR)
MAXIMUM PILOT CAP PRESSURE	125 PSI (8.6 BAR)
AMBIENT TEMPERATURE RANGE	-20 TO 250° F -29 TO 122° C
MINIMUM PILOT PRESSURE TO HOLD RELAY OPEN	27 PSI (1.9 BAR) WITH 20 PSI SPRING 35 PSI (2.4 BAR) WITH 30 PSI SPRING
Cv FACTOR	1.7

REPAIR KIT

- 14-013-0A0

OTHER TEMPERATURE RANGES AND SEAL COMPOUNDS AVAILABLE UPON REQUEST

ORDERING CODE



AR-1 N.G. AUTOMATIC RESET RELAY

PHONE: 504-340-0055
 FAX: 504-340-0056
 EMAIL: SALES@RUELCO.COM

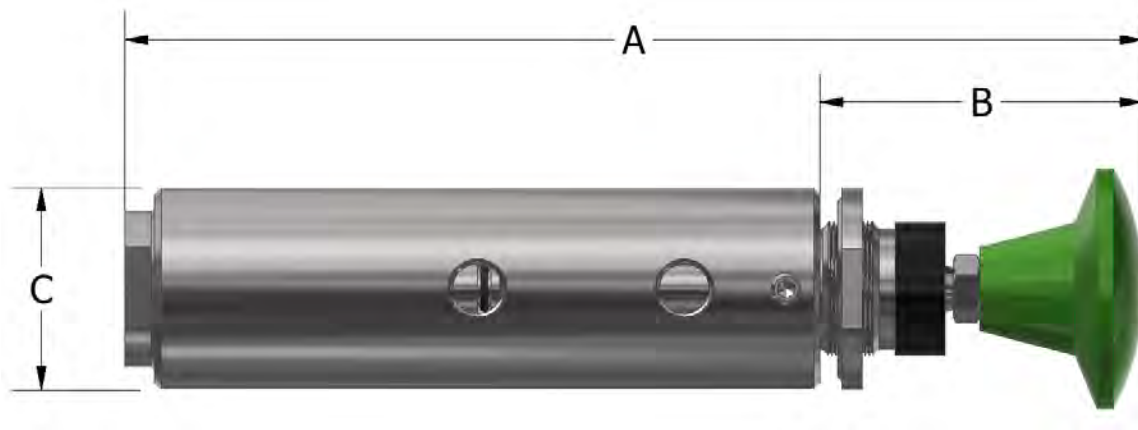
1209 DISTRIBUTORS ROW
 NEW ORLEANS, LA 70123

OPERATION

The Ruelco 12A2 AR-1 Relay is a pilot operated, spring return automatic relay. It operates as a 3-way, block-and-bleed, normally open valve with a palm knob for position indication and manual operation. In the open position, the inlet signal will flow to the outlet port, until a pilot signal becomes present. Once in this configuration, the relay is armed and will reopen, allowing inlet pressure to the outlet port, with a drop in pilot signal or a manual push on the knob. The snap acting feature allows the relay to shut quickly with a minimal loss of pilot pressure. The relay will remain open until the knob is manually pulled into service or if the pilot supply once again becomes present.

FEATURES

- 316 stainless steel construction (models to N.A.C.E. MR0175 available)
- Large Cv factor assures fast system response
- Design minimizes malfunctions due to supply system debris
- Inconel X-750 springs assures dependability in most corrosive environments



DIMENSIONS

A (CLOSED / OPEN)	7.54" / 7.91" (191.5 / 201 mm)
B (CLOSED / OPEN)	2.36" / 2.73" (60 / 69.3 mm)
C	1.50" (38.1 mm)
CONNECTION PORT SIZES	1/4" FNPT
PANEL MOUNT HOLE	1.0" (25.4 mm)
MAXIMUM PANEL THICKNESS	.18" (4.6 mm)
WEIGHT	2.5 LBS (1.14 KG)

PHONE: 504-340-0055
 FAX: 504-340-0056
 EMAIL: SALES@RUELCO.COM

1209 DISTRIBUTORS ROW
 NEW ORLEANS, LA 70123

SPECIFICATIONS

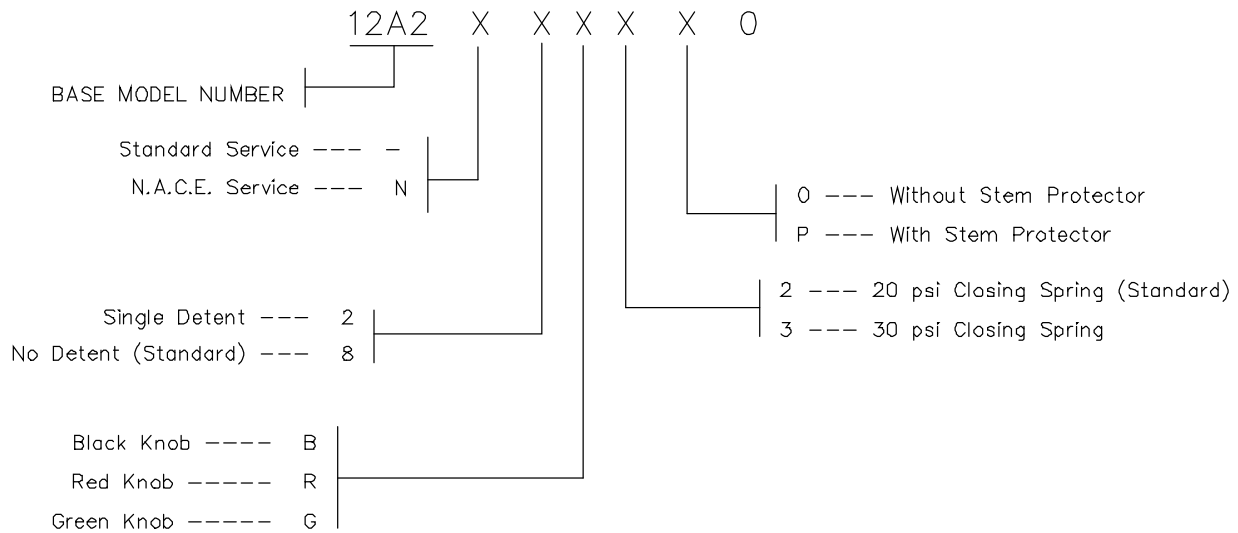
MAXIMUM WORKING PRESSURE	250 PSI (17.2 BAR)
MAXIMUM PILOT CAP PRESSURE	125 PSI (8.6 BAR)
AMBIENT TEMPERATURE RANGE	-20 TO 250° F -29 TO 122° C
MINIMUM PILOT PRESSURE TO HOLD RELAY OPEN	27 PSI (1.9 BAR) WITH 20 PSI SPRING 35 PSI (2.4 BAR) WITH 30 PSI SPRING
Cv FACTOR	1.7

REPAIR KIT

- 14-013-0A0

OTHER TEMPERATURE RANGES AND SEAL COMPOUNDS AVAILABLE UPON REQUEST

ORDERING CODE



PHONE: 504-340-0055
 FAX: 504-340-0056
 EMAIL: SALES@RUELCO.COM

1209 DISTRIBUTORS ROW
 NEW ORLEANS, LA 70123

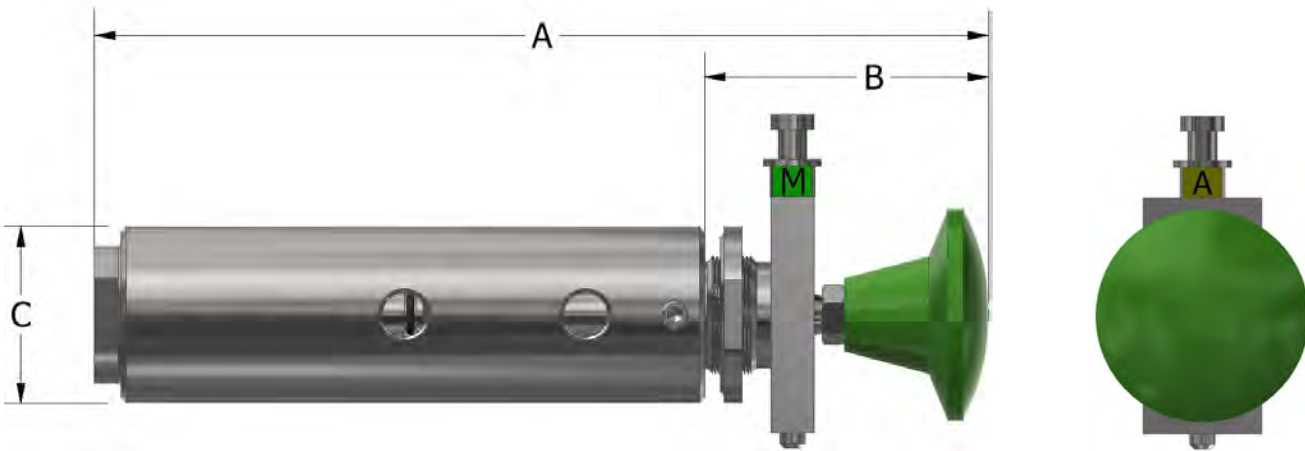
AR-1 N.O. AUTOMATIC RESET RELAY

OPERATION

The Ruelco 14A1 AR-2 Relay is a pilot operated, spring return automatic or manual relay. It operates as a 3-way, block-and-bleed, normally closed valve with a palm knob for position indication and manual operation. In Manual Mode, in the closed position, the inlet signal will be blocked from reaching the outlet port, until the knob is manually pulled into service. The detent will allow the relay to maintain this state until a pilot signal becomes present. Once in this configuration, the relay is armed and will shut closed, venting the outlet pressure, with a drop in pilot signal or a manual push on the knob. The snap acting feature allows the relay to shut quickly with a minimal loss of pilot pressure. The relay will remain closed until the knob is manually pulled into service again. In Automatic Mode, the relay will open with the presence of a pilot supply and close if the pilot supply is lost.

FEATURES

- 316 stainless steel construction (models to N.A.C.E. MR0175 available)
- Large Cv factor assures fast system response
- Design minimizes malfunctions due to supply system debris
- Inconel X-750 springs assures dependability in most corrosive environments



DIMENSIONS

A (CLOSED / OPEN)	7.54" / 7.91" (191.5 / 201 mm)
B (CLOSED / OPEN)	2.36" / 2.73" (60 / 69.3 mm)
C	1.50" (38.1 mm)
CONNECTION PORT SIZES	1/4" FNPT
PANEL MOUNT HOLE	1.0" (25.4 mm)
MAXIMUM PANEL THICKNESS	.18" (4.6 mm)
WEIGHT	2.5 LBS (1.14 KG)

PHONE: 504-340-0055
 FAX: 504-340-0056
 EMAIL: SALES@RUELCO.COM

1209 DISTRIBUTORS ROW
 NEW ORLEANS, LA 70123

SPECIFICATIONS

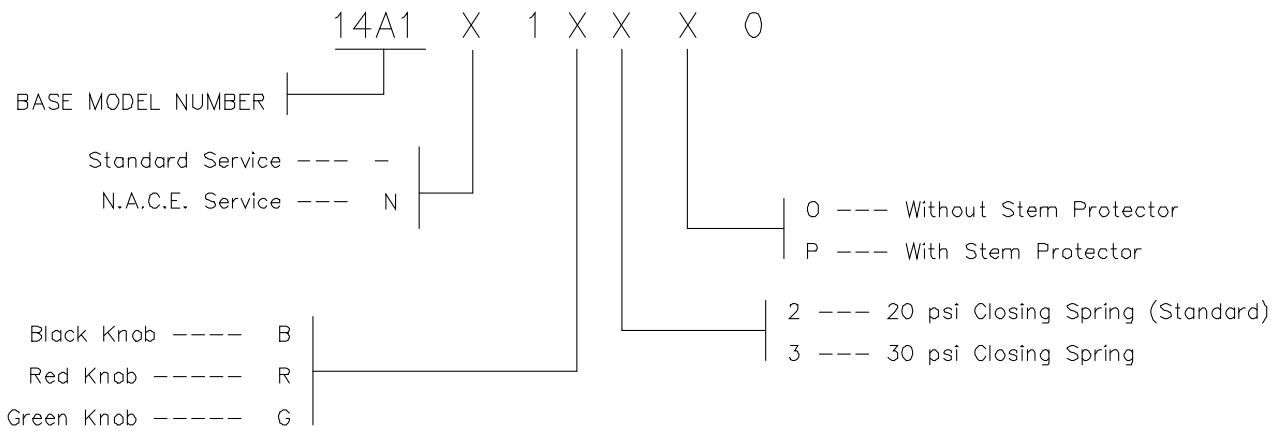
MAXIMUM WORKING PRESSURE	250 PSI (17.2 BAR)
MAXIMUM PILOT CAP PRESSURE	125 PSI (8.6 BAR)
AMBIENT TEMPERATURE RANGE	-20 TO 250° F -29 TO 122° C
MINIMUM PILOT PRESSURE TO HOLD RELAY OPEN	27 PSI (1.9 BAR) WITH 20 PSI SPRING 35 PSI (2.4 BAR) WITH 30 PSI SPRING
Cv FACTOR	1.7

REPAIR KIT

- 14-013-0A0

OTHER TEMPERATURE RANGES AND SEAL COMPOUNDS AVAILABLE UPON REQUEST

ORDERING CODE



PHONE: 504-340-0055
 FAX: 504-340-0056
 EMAIL: SALES@RUELCO.COM

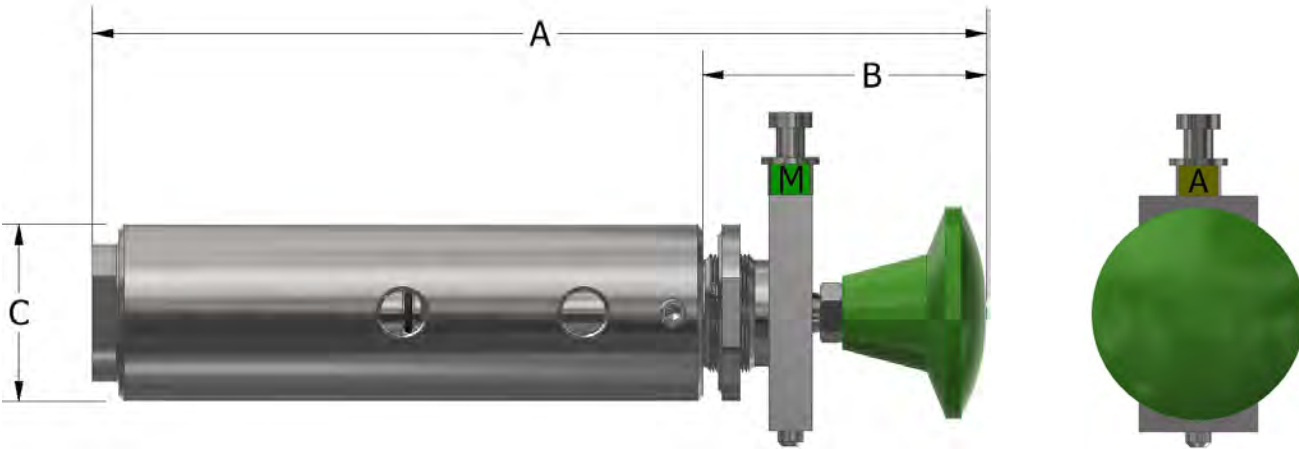
1209 DISTRIBUTORS ROW
 NEW ORLEANS, LA 70123

OPERATION

The Ruelco 14A2 AR-2 Relay is a pilot operated, spring return automatic or manual relay. It operates as a 3-way, block-and-bleed, normally open valve with a palm knob for position indication and manual operation. In Manual Mode, in the open position, the inlet signal will flow to the outlet port, until the knob is manually pulled into service. The detent will allow the relay to maintain this state until a pilot signal becomes present. Once in this configuration, the relay is armed and will reopen, allowing inlet pressure to the outlet port, with a drop in pilot signal or a manual push on the knob. The snap acting feature allows the relay to shut quickly with a minimal loss of pilot pressure. The relay will remain closed until the knob is manually pulled into service again. In Automatic Mode, the relay will open with the presence of a pilot supply and close if the pilot supply is lost.

FEATURES

- 316 stainless steel construction (models to N.A.C.E. MR0175 available)
- Large Cv factor assures fast system response
- Design minimizes malfunctions due to supply system debris
- Inconel X-750 springs assures dependability in most corrosive environments



DIMENSIONS

A (CLOSED / OPEN)	7.54" / 7.91" (191.5 / 201 mm)
B (CLOSED / OPEN)	2.36" / 2.73" (60 / 69.3 mm)
C	1.50" (38.1 mm)
CONNECTION PORT SIZES	1/4" FNPT
PANEL MOUNT HOLE	1.0" (25.4 mm)
MAXIMUM PANEL THICKNESS	.18" (4.6 mm)
WEIGHT	2.5 LBS (1.14 KG)

PHONE: 504-340-0055
 FAX: 504-340-0056
 EMAIL: SALES@RUELCO.COM

1209 DISTRIBUTORS ROW
 NEW ORLEANS, LA 70123

SPECIFICATIONS

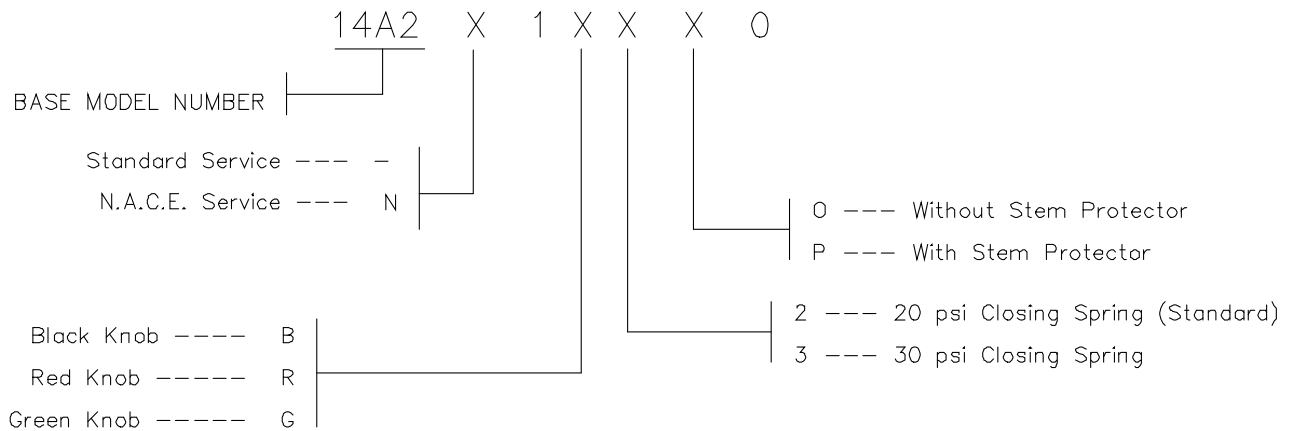
MAXIMUM WORKING PRESSURE	250 PSI (17.2 BAR)
MAXIMUM PILOT CAP PRESSURE	125 PSI (8.6 BAR)
AMBIENT TEMPERATURE RANGE	-20 TO 250° F -29 TO 122° C
MINIMUM PILOT PRESSURE TO HOLD RELAY OPEN	27 PSI (1.9 BAR) WITH 20 PSI SPRING 35 PSI (2.4 BAR) WITH 30 PSI SPRING
Cv FACTOR	1.7

REPAIR KIT

- 14-013-0A0

OTHER TEMPERATURE RANGES AND SEAL COMPOUNDS AVAILABLE UPON REQUEST

ORDERING CODE



PHONE: 504-340-0055
FAX: 504-340-0056
EMAIL: SALES@RUELCO.COM

1209 DISTRIBUTORS ROW
NEW ORLEANS, LA 70123

PARTS LIST

ITEM	QUANTITY	DESCRIPTION	MATERIAL
1A	1	BLACK KNOB	PHENOLIC
1B	-	RED KNOB	PHENOLIC
1C	-	GREEN KNOB	PHENOLIC
2	1	LOCK NUT	316 ST. STL.
3A	1	DETENT ASSEMBLY	CF-8M AND 316 ST. STL.
3B	-	DOUBLE DETENT ASSEMBLY	316 ST. STL. AND 17-4 ST. STL.
3C	-	DETENT REPLACEMENT (NO DETENT)	DELTRIN
4	2	SCREW	316 ST. STL.
5	1	PANEL MOUNT NUT (OPTIONAL)	316 ST. STL.
6	3	SET SCREW	316 ST. STL.
7	1	MOUNTING HEAD	316 ST. STL.
8*	1	HEAD SEAL	NITRILE
9*	4	SHAFT SEAL	FLUOROCARBON
10	1	SHAFT ASSEMBLY	316 ST. STL.
11	1	BODY	316 ST. STL.
12A	1	20 PSI SPRING	INCONEL X-750
12B	-	30 PSI SPRING (OPTIONAL)	INCONEL X-750
13*	1	PISTON SEAL	NITRILE
14*	1	BASE SEAL	FLUOROCARBON
15	1	BASE	316 ST. STL.

*Indicates item(s) contained in the Repair Kit

RELAYS

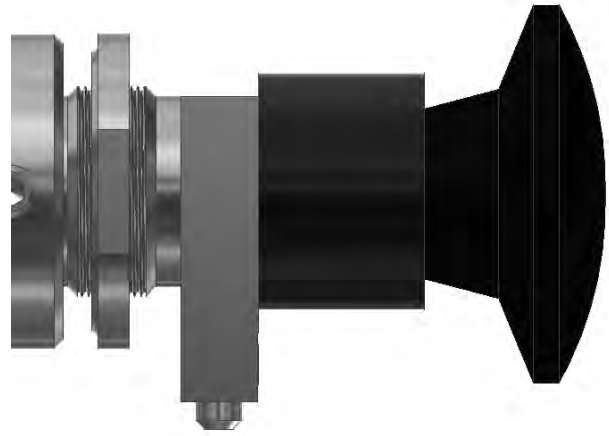
PHONE: 504-340-0055
 FAX: 504-340-0056
 EMAIL: SALES@RUELCO.COM

1209 DISTRIBUTORS ROW
 NEW ORLEANS, LA 70123

STEM PROTECTOR

OPERATION

The optional Ruelco Stem Protector is designed to prevent debris such as ice or dust from allowing the relay to open or shut properly. The stem protector shields the entire spool from the exposed elements, yet still allows the operator to open and close the relay.



RELAY ACCESSORIES

PARTS LIST

ITEM	QUANTITY	DESCRIPTION	MATERIAL
1	1	STEM PROTECTOR HOUSING	DELRIN
2	1	STEM PROTECTOR WASHER	DELRIN
3#	1	STEM PROTECTOR SEAL	NITRILE

Indicates item(s) contained in the Repair Kit

REPAIR KIT

- 10-026-000

OTHER TEMPERATURE RANGES AND SEAL
COMPOUNDS AVAILABLE UPON REQUEST

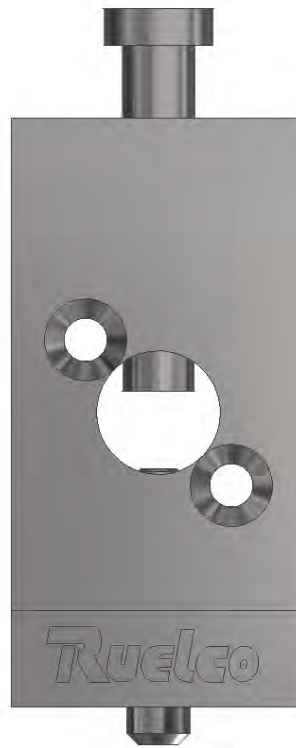
PHONE: 504-340-0055
FAX: 504-340-0056
EMAIL: SALES@RUELCO.COM

1209 DISTRIBUTORS ROW
NEW ORLEANS, LA 70123

DOUBLE DETENT

OPERATION

The optional Ruelco Double Detent is a replacement for the standard detent which allows for an extra layer of protection from accidental opening of the relay. The double detent requires the top knob to be pulled upward while the relay knob is pulled outward to open the relay. This will ensure that the relay is being intentionally opened.



RELAY ACCESSORIES

PARTS LIST

ITEM	QUANTITY	DESCRIPTION	MATERIAL
1	1	DOUBLE DETENT BODY	316 ST. STL.
2	1	DETENT PIN	17-4 ST. STL.
3	2	DETENT SPRING	MUSIC WIRE
4	1	DOUBLE DETENT SLEEVE	316 ST. STL.
5	1	DOUBLE DETENT PIN	17-4 ST. STL.
6	1	DEDOUBLE DETENT KNOB	316 ST. STL.

PHONE: 504-340-0055
FAX: 504-340-0056
EMAIL: SALES@RUELCO.COM

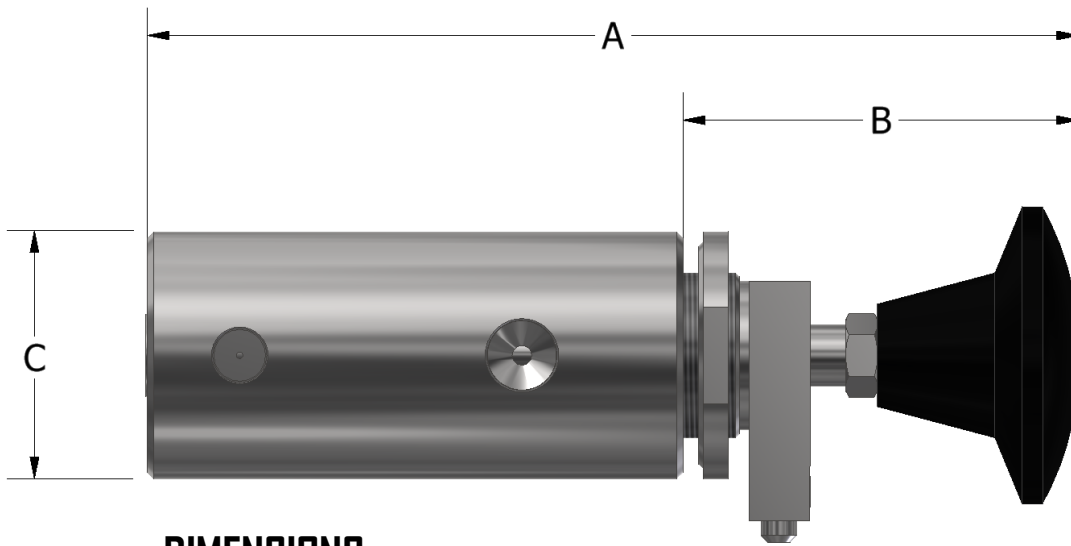
1209 DISTRIBUTORS ROW
NEW ORLEANS, LA 70123

OPERATION

The Ruelco MP-4 relay is a pilot operated, spring return manual relay. It operates as a 3-way, block and bleed, normally closed relay valve with a palm knob for position indication and manual operation. In the closed position, the inlet signal will be blocked from reaching the outlet port, until the knob is manually pulled into service. The detent will allow the relay to maintain this state until a pilot signal becomes present. Once in this configuration, the relay is armed and will shut, venting the outlet pressure, with a drop in pilot signal or a manual push on the knob. The relay will remain closed until the knob is manually pulled into service again.

FEATURES

- 316 stainless steel construction (models to N.A.C.E. MR0175 available)
- Large Cv factor assures fast system response
- Lock Closed design prevents relay from automatically opening
- Design minimizes malfunctions due to supply system debris
- Inconel X-750 springs assures dependability in most corrosive environments



DIMENSIONS

A (CLOSED/OPEN)	5.61"/5.98" (142.4 / 151.9 mm)
B (CLOSED/OPEN)	2.36" / 2.73" (60 / 69.3 mm)
C	1.50" (38.1 mm)
INLET AND OUTLET CONNECTION PORTS	1/4" FNPT
PILOT CONNECTION PORT	1/8" FNPT
PANEL MOUNT HOLE	1.0" (25.4 mm)
MAXIMUM PANEL THICKNESS	.18" (4.6 mm)
WEIGHT	1.6 LBS(.72 kg)

PHONE: 504-340-0055
 FAX: 504-340-0056
 EMAIL: SALES@RUELCO.COM

1209 DISTRIBUTORS ROW
 NEW ORLEANS, LA 70123

MP-4 MANUAL RESET RELAY

PARTS LIST

ITEM	QUANTITY	DESCRIPTION	MATERIAL
1A	1	BLACK KNOB	PHENOLIC
1B	-	RED KNOB	PHENOLIC
1C	-	GREEN KNOB	PHENOLIC
2	1	LOCK NUT	316 ST. STL.
3A	1	DETENT ASSEMBLY	316 ST. STL.
3B	-	DETENT REPLACEMENT	DELTRIN
4	1	SCREW	316 ST. STL.
5	1	PANEL MOUNT NUT (OPTIONAL)	316 ST. STL.
6	3	SHAFT SEAL	FLUOROCARBON
7	1	SHAFT ASSEMBLY	316 ST. STL.
8	1	BODY	316 ST. STL.
9A	1	SPRING (20 PSI)	INCONEL X-750
9B	-	SPRING (30 PSI)	INCONEL X-750
10*	1	BODY SEAL	FLUOROCARBON
11*	1	PISTON SEAL	NITRILE
12*	1	BASE SEAL	FLUOROCARBON
13	1	RETAINING RING	316 ST. STL.
14	1	BASE	316 ST. STL.

*Indicates item(s) contained in the Repair Kit

PHONE: 504-340-0055
 FAX: 504-340-0056
 EMAIL: SALES@RUELCO.COM

1209 DISTRIBUTORS ROW
 NEW ORLEANS, LA 70123

SPECIFICATIONS

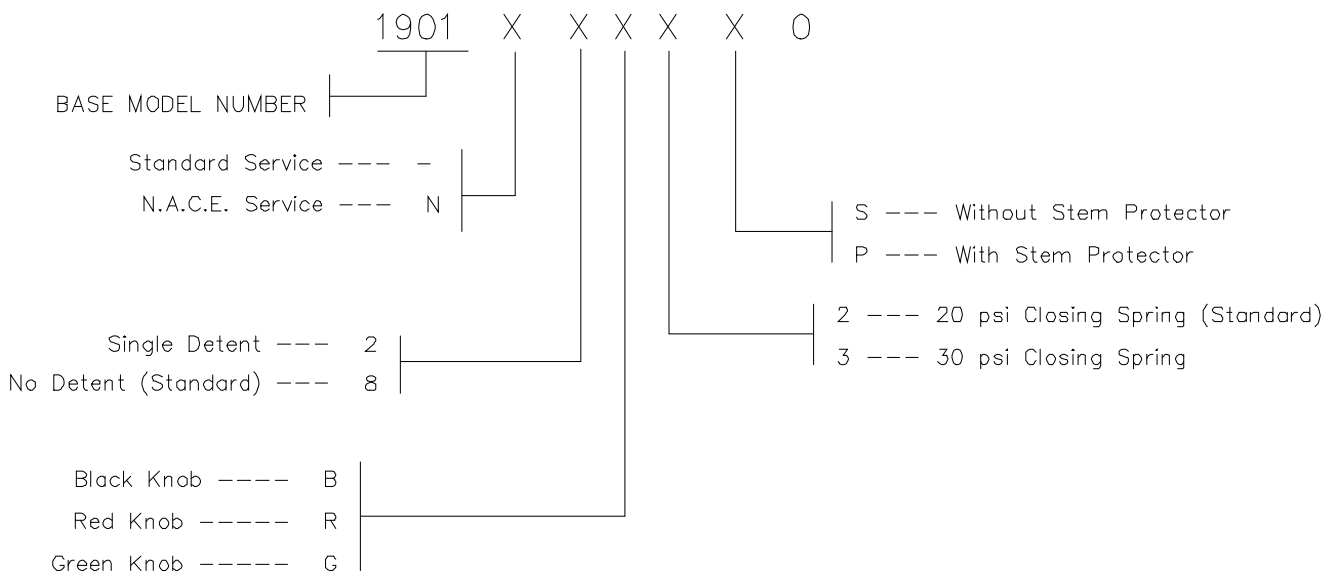
MAXIMUM WORKING PRESSURE	250 PSI (17.2 BAR)
MAXIMUM PILOT CAP PRESSURE	125 PSI (8.6 BAR)
AMBIENT TEMPERATURE RANGE	-20 TO 250° F -29 TO 122° C
MINIMUM PILOT TO SIGNAL PRESSURE TO HOLD RELAY OPEN	27 PSI (1.9 BAR) WITH 20 PSI SPRING 35 PSI (2.4 BAR) WITH 30 PSI SPRING
Cv FACTOR	.34

REPAIR KIT

- 19-006-000

OTHER TEMPERATURE RANGES AND SEAL COMPOUNDS AVAILABLE UPON REQUEST

ORDERING CODE



MP-4 MANUAL RESET RELAY

PHONE: 504-340-0055
 FAX: 504-340-0056
 EMAIL: SALES@RUELCO.COM

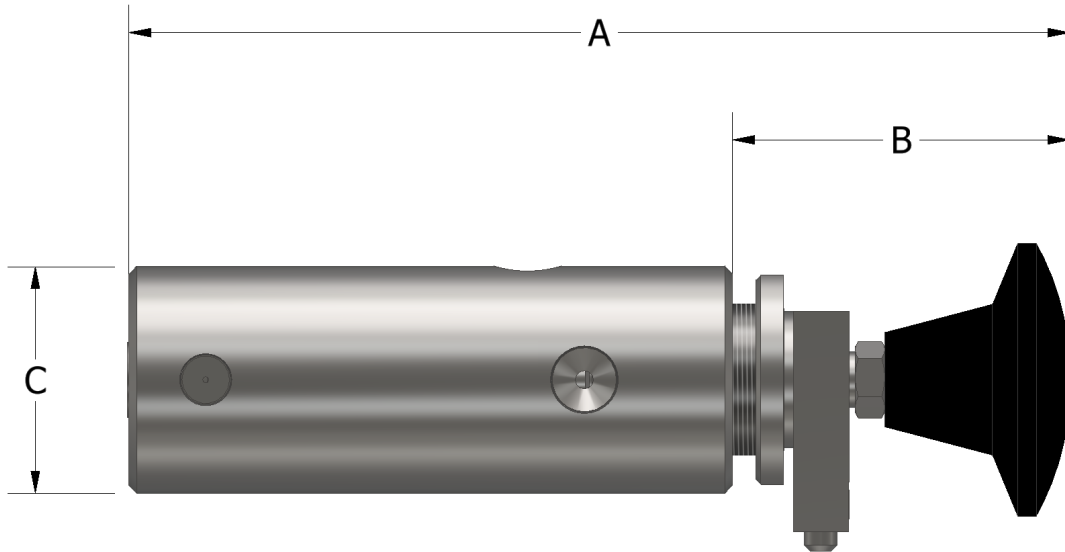
1209 DISTRIBUTORS ROW
 NEW ORLEANS, LA 70123

OPERATION

The Ruelco Universal Manual Reset Relay is a pilot operated, spring return, universally ported, manual relay. It operates as a 3-way, block and bleed, relay valve with a palm knob for position indication and manual operation. It can be used as either in the Normally Open or Normally Closed position. In the closed position, the inlet signal will be blocked from reaching the outlet port, until the knob is manually pulled into service. The detent will allow the relay to maintain this state until a pilot signal becomes present. Once in this configuration, the relay is armed and will shut, venting the outlet pressure, with a drop in pilot signal or a manual push on the knob. The relay will remain closed until the knob is manually pulled into service again.

FEATURES

- 316 stainless steel construction (models to N.A.C.E. MR0175 available)
- Large Cv factor assures fast system response
- Lock Closed design prevents relay from automatically opening
- Design minimizes malfunctions due to supply system debris
- Inconel X-750 springs assures dependability in most corrosive environments



DIMENSIONS

A (CLOSED/OPEN)	6.25"/6.62" (158.75 / 168.27 mm)
B (CLOSED/OPEN)	2.36" / 2.73" (60 / 69.3 mm)
C	1.50" (38.1 mm)
INLET AND OUTLET CONNECTION PORTS	1/4" FNPT
PILOT CONNECTION PORT	1/8" FNPT
PANEL MOUNT HOLE	1.0" (25.4 mm)
MAXIMUM PANEL THICKNESS	.18" (4.6 mm)
WEIGHT	2.06 LBS(.93 kg)

PHONE: 504-340-0055
 FAX: 504-340-0056
 EMAIL: SALES@RUELCO.COM

1209 DISTRIBUTORS ROW
 NEW ORLEANS, LA 70123

UNIVERSAL MANUAL RESET RELAY

PARTS LIST

ITEM	QUANTITY	DESCRIPTION	MATERIAL
1A	1	BLACK KNOB	PHENOLIC
1B	-	RED KNOB	PHENOLIC
1C	-	GREEN KNOB	PHENOLIC
2	1	LOCK NUT	316 ST. STL.
3A	1	DETENT ASSEMBLY	316 ST. STL.
3B	-	DETENT REPLACEMENT	DELRIN
4	1	SCREW	316 ST. STL.
5	1	PANEL MOUNT NUT (OPTIONAL)	316 ST. STL.
6	3	SHAFT SEAL	FLUOROCARBON
7	1	SHAFT ASSEMBLY	316 ST. STL.
8	1	BODY	316 ST. STL.
9A	1	SPRING (20 PSI)	INCONEL X-750
9B	-	SPRING (30 PSI)	INCONEL X-750
10*	1	BODY SEAL	FLUOROCARBON
11*	1	PISTON SEAL	NITRILE
12*	1	BASE SEAL	FLUOROCARBON
13	1	RETAINING RING	316 ST. STL.
14	1	BASE	316 ST. STL.

*Indicates item(s) contained in the Repair Kit

PHONE: 504-340-0055
 FAX: 504-340-0056
 EMAIL: SALES@RUELCO.COM

1209 DISTRIBUTORS ROW
 NEW ORLEANS, LA 70123

SPECIFICATIONS

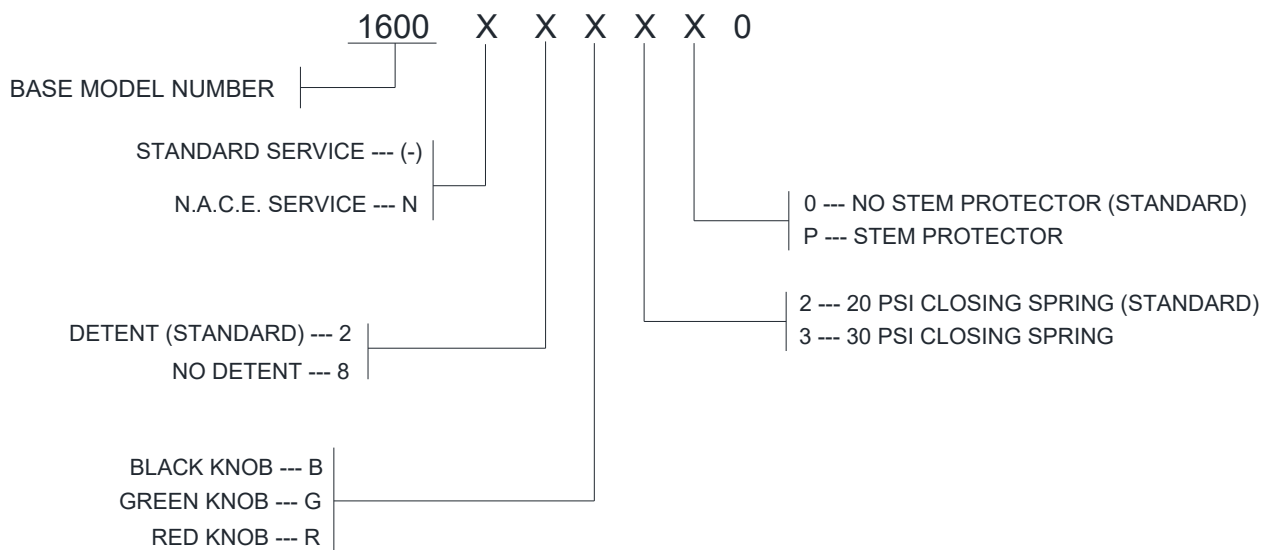
MAXIMUM WORKING PRESSURE	250 PSI (17.2 BAR)
MAXIMUM PILOT CAP PRESSURE	125 PSI (8.6 BAR)
AMBIENT TEMPERATURE RANGE	-20 TO 250° F -29 TO 122° C
MINIMUM PILOT TO SIGNAL PRESSURE TO HOLD RELAY OPEN	27 PSI (1.9 BAR) WITH 20 PSI SPRING 35 PSI (2.4 BAR) WITH 30 PSI SPRING
Cv FACTOR	.34

REPAIR KIT

- 16-052-000

OTHER TEMPERATURE RANGES AND SEAL COMPOUNDS AVAILABLE UPON REQUEST

ORDERING CODE



UNIVERSAL MANUAL RESET RELAY

PHONE: 504-340-0055
 FAX: 504-340-0056
 EMAIL: SALES@RUELCO.COM

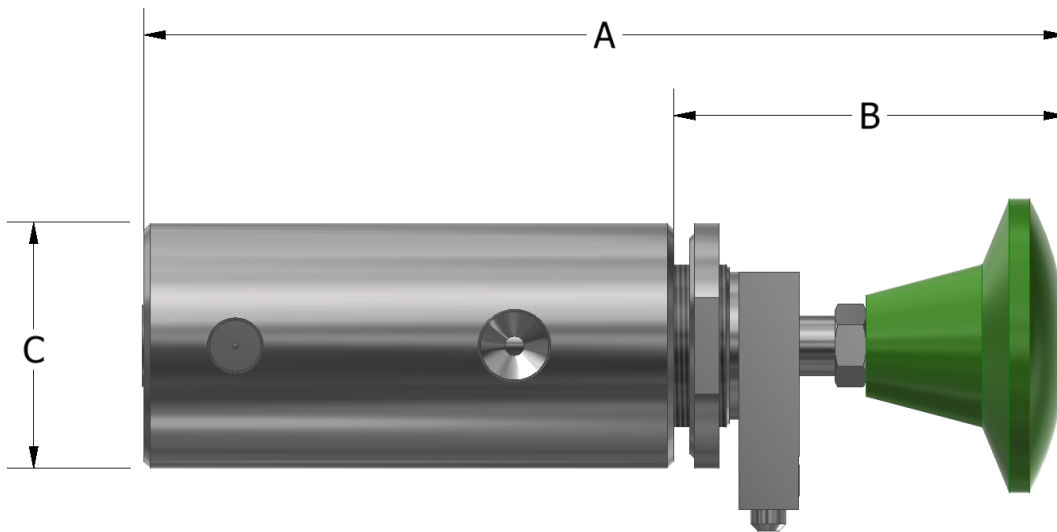
1209 DISTRIBUTORS ROW
 NEW ORLEANS, LA 70123

OPERATION

The Ruelco AR-4 relay is a pilot operated, spring return automatic relay. It operates as a 3-way, block and bleed, normally closed relay valve with a palm knob for position indication and manual operation. In the closed position, the inlet signal will be blocked from reaching the outlet port, until a pilot supply is applied. The detent will also allow the relay to be manually pulled into service without a pilot signal present. Once in this configuration, the relay is armed and will shut, venting the outlet pressure, with a drop in pilot signal or a manual push on the knob. The relay will reopen if the pilot supply is restored.

FEATURES

- 316 stainless steel construction (models to N.A.C.E. MR0175 available)
- Large Cv factor assures fast system response
- Design minimizes malfunctions due to supply system debris
- Inconel X-750 springs assures dependability in most corrosive environments



DIMENSIONS

A (CLOSED/OPEN)	5.61"/5.98" (142.4 / 151.9 mm)
B (CLOSED/ OPEN)	2.36" / 2.73" (60 / 69.3 mm)
C	1.50" (38.1 mm)
INLET AND OUTLET CONNECTION PORTS	1/4" FNPT
PILOT CONNECTION PORT	1/8" FNPT
PANEL MOUNT HOLE	1.0" (25.4 mm)
MAXIMUM PANEL THICKNESS	.18" (4.6 mm)
WEIGHT	1.6 LBS (.72 kg)

PHONE: 504-340-0055
 FAX: 504-340-0056
 EMAIL: SALES@RUELCO.COM

1209 DISTRIBUTORS ROW
 NEW ORLEANS, LA 70123

AR-4 AUTOMATIC RESET RELAY

PARTS LIST

ITEM	QUANTITY	DESCRIPTION	MATERIAL
1A	1	BLACK KNOB	PHENOLIC
1B	-	RED KNOB	PHENOLIC
1C	-	GREEN KNOB	PHENOLIC
2	1	LOCK NUT	316 ST. STL.
3A	1	DETENT ASSEMBLY	316 ST. STL.
3B	-	DETENT REPLACEMENT	DELRIN
4	1	SCREW	316 ST. STL.
5	1	PANEL MOUNT NUT (OPTIONAL)	316 ST. STL.
6	3	SHAFT SEAL	FLUOROCARBON
7	1	SHAFT ASSEMBLY	316 ST. STL.
8	1	BODY	316 ST. STL.
9A	1	SPRING 20 PSI)	INCONEL X-750
9B	-	SPRING (30 PSI)	INCONEL X-750
10*	1	BODY SEAL	FLUOROCARBON
11*	1	PISTON SEAL	NITRILE
12*	1	BASE SEAL	FLUOROCARBON
13	1	RETAINING RING	316 ST. STL.
14	1	BASE	316 ST. STL.
15	1	PLUG	316 ST. STL.
16	1	PLUG SEAL	FLUOROCARBON

*Indicates item(s) contained in the Repair Kit

PHONE: 504-340-0055
 FAX: 504-340-0056
 EMAIL: SALES@RUELCO.COM

1209 DISTRIBUTORS ROW
 NEW ORLEANS, LA 70123

SPECIFICATIONS

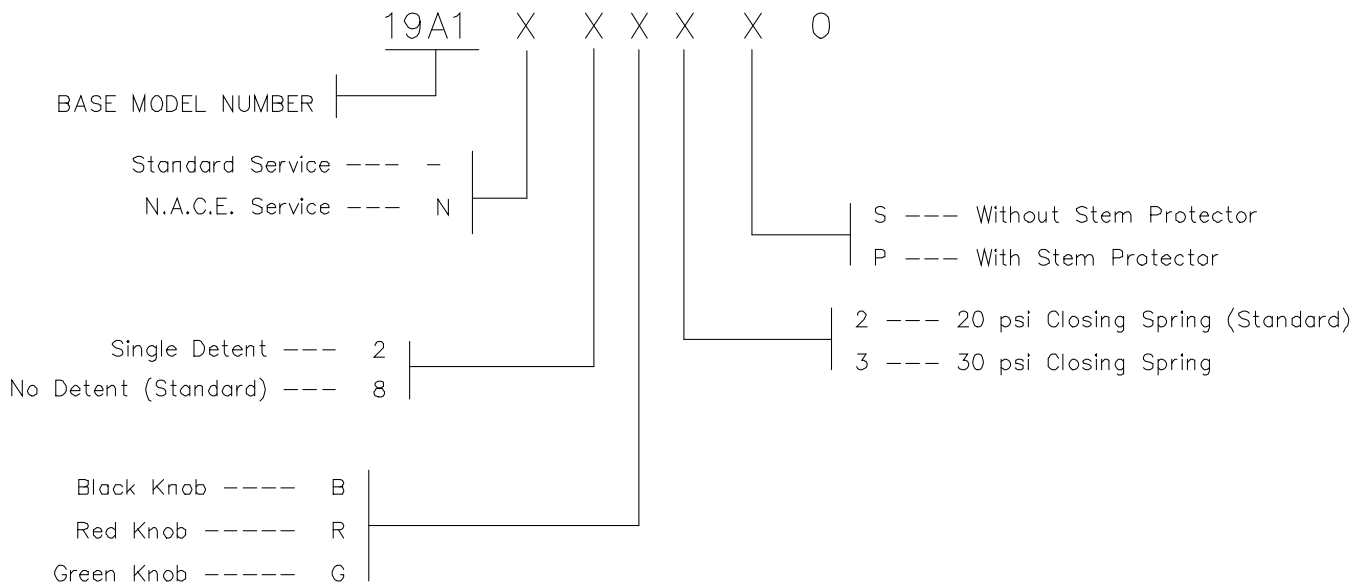
MAXIMUM WORKING PRESSURE	250 PSI (17.2 BAR)
MAXIMUM PILOT CAP PRESSURE	125 PSI (8.6 BAR)
AMBIENT TEMPERATURE RANGE	-20 TO 250° F -29 TO 122° C
MINIMUM PILOT TO SIGNAL PRESSURE TO HOLD RELAY OPEN	27 PSI (1.9 BAR) WITH 20 PSI SPRING 35 PSI (2.4 BAR) WITH 30 PSI SPRING
Cv FACTOR	.34

REPAIR KIT

- 19-031-000

OTHER TEMPERATURE RANGES AND SEAL COMPOUNDS AVAILABLE UPON REQUEST

ORDERING CODE



AR-4 AUTOMATIC RESET RELAY

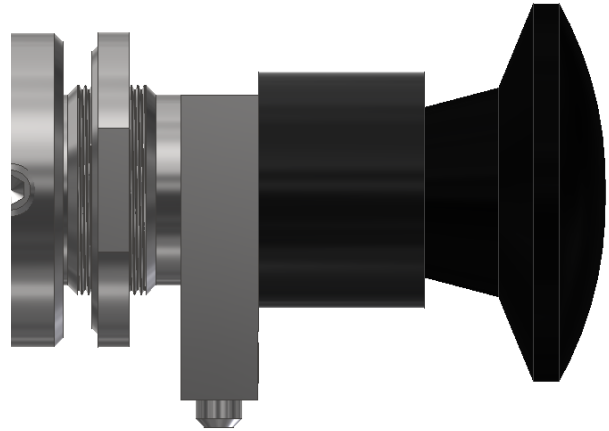
PHONE: 504-340-0055
 FAX: 504-340-0056
 EMAIL: SALES@RUELCO.COM

1209 DISTRIBUTORS ROW
 NEW ORLEANS, LA 70123

STEM PROTECTOR

OPERATION

The optional Ruelco stem protector is designed to prevent debris such as ice or dust from allowing the relay to open or shut properly. The stem protector shields the entire spool from the exposed elements, yet still allows the operator to open and close the relay.



PARTS LIST

ITEM	QUANTITY	DESCRIPTION	MATERIAL
1	1	STEM PROTECTOR HOUSING	DELRIN
2	1	STEM PROTECTOR WASHER	DELRIN
3#	1	STEM PROTECTOR SEAL	NITRILE

Indicates item(s) contained in the Repair Kit

REPAIR KIT

- 15-003-000

OTHER TEMPERATURE RANGES AND SEAL COMPOUNDS AVAILABLE UPON REQUEST

PHONE: 504-340-0055
FAX: 504-340-0056
EMAIL: SALES@RUELCO.COM

1209 DISTRIBUTORS ROW
NEW ORLEANS, LA 70123

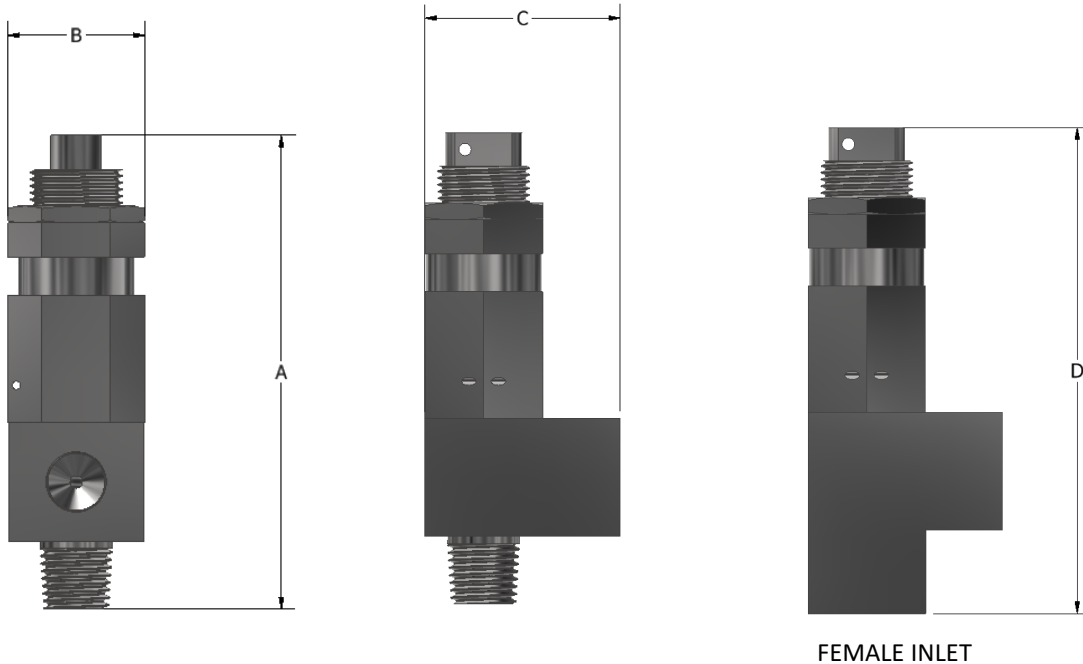
RELAY ACCESSORIES

OPERATION

The Ruelco RV-1 Relief Valve is a stainless steel, soft seat, poppet relief valve capable of relieving pressures from 50 psi to 1,250 psi. The size of the valve makes it ideal for small spaces while the stainless steel construction allows the valve to operate in highly corrosive systems.

FEATURES

- 316 stainless steel construction
- Externally adjustable
- Wide adjustable ranges using only three springs
- 100% tested
- Compact design



DIMENSIONS

A	3.50" (88.9 mm)
B	1.00" (25.4 mm)
C	1.50" (38.1 mm)
D	3.62" (91.9 mm)
PORT SIZES	1/4" NPT
WEIGHT	.5 LBS (.24 Kg)

SPECIFICATIONS

MAXIMUM WORKING PRESSURE	10,000 PSI (640 BAR)
AMBIENT TEMPERATURE RANGE	-20° TO 250° F
	-29° TO 121° C
RESET	± 10% OF RANGE
ACCURACY	± 5% OF SETPOINT
Cv	.12

LOW PRESSURE RELIEF VALVE

PHONE: 504-340-0055
 FAX: 504-340-0056
 EMAIL: SALES@RUELCO.COM

1209 DISTRIBUTORS ROW
 NEW ORLEANS, LA 70123

PARTS LIST

ITEM	QUANTITY	DESCRIPTION	MATERIAL
1	1	SPRING CAP	316 ST. STL.
2	1	LOCK NUT	316 ST. STL.
3	1	SPRING HOUSING	316 ST. STL.
4A	1	BLUE SPRING	SPRING WIRE
4B	-	RED SPRING	SPRING WIRE
4C	-	GOLD SPRING	SPRING WIRE
5	1	SPRING PLATE	316 ST. STL.
6*	1	BODY SEAL	NITRILE
7	1	RELIEF VALVE BODY	316 ST. STL.
8	1	SEAL GUIDE	316 ST. STL.
9*	1	HEAD SEAL	FLUOROCARBON
10	1	OUTER SLEEVE	316 ST. STL.
11*	1	PISTON SEAL	NITRILE
12	1	PISTON	17-4 PH ST. STL

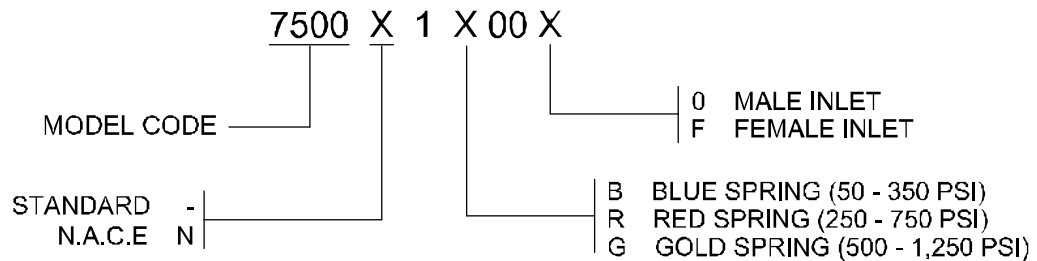
* INDICATES ITEMS IN THE REPAIR KIT

REPAIR KIT

- 75-023-000

OTHER TEMPERATURE RANGES AND SEAL COMPOUNDS AVAILABLE UPON REQUEST

ORDERING CODE



PHONE: 504-340-0055
 FAX: 504-340-0056
 EMAIL: SALES@RUELCO.COM

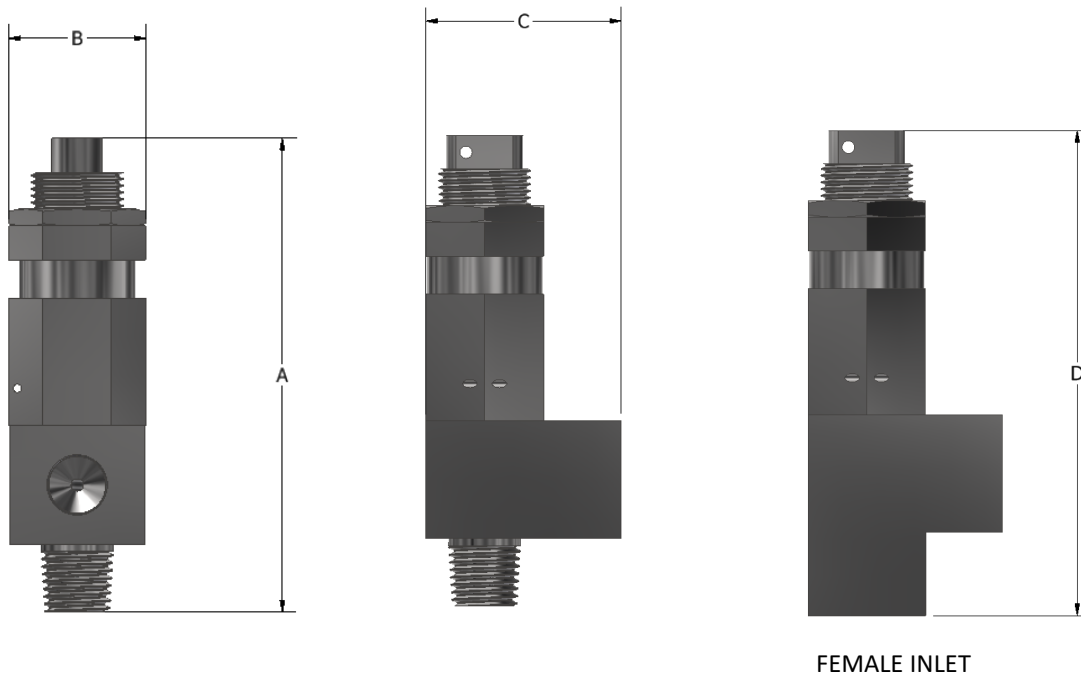
1209 DISTRIBUTORS ROW
 NEW ORLEANS, LA 70123

OPERATION

The Ruelco RV-1 Relief Valve is a stainless steel, soft seat, poppet relief valve capable of relieving pressures from 250 psi to 10,000 psi. The size of the valve makes it ideal for small spaces while the stainless steel construction allows the valve to operate in highly corrosive systems.

FEATURES

- 316 stainless steel construction
- Externally adjustable
- Wide adjustable ranges using only three springs
- 100% tested



DIMENSIONS

A	3.50" (88.9 mm)
B	1.00" (25.4 mm)
C	1.50" (38.1 mm)
D	3.62" (91.9 mm)
PORT SIZES	1/4" NPT
WEIGHT	.5 LBS (.24 Kg)

SPECIFICATIONS

MAXIMUM WORKING PRESSURE	10,000 PSI (640 BAR)
AMBIENT TEMPERATURE RANGE	-20° TO 250° F
	-29° TO 121° C
RESET	± 10% OF RANGE
ACCURACY	± 5% OF SETPOINT
Cv	.12

MEDIUM PRESSURE RELIEF VALVE

PHONE: 504-340-0055
 FAX: 504-340-0056
 EMAIL: SALES@RUELCO.COM

1209 DISTRIBUTORS ROW
 NEW ORLEANS, LA 70123

PARTS LIST

ITEM	QUANTITY	DESCRIPTION	MATERIAL
1	1	SPRING CAP	316 ST. STL.
2	1	LOCK NUT	316 ST. STL.
3	1	SPRING HOUSING	316 ST. STL.
4A	1	BLUE SPRING	SPRING WIRE
4B	-	RED SPRING	SPRING WIRE
4C	-	GOLD SPRING	SPRING WIRE
5	1	SPRING PLATE	316 ST. STL.
6*	1	BODY SEAL	NITRILE
7	1	RELIEF VALVE BODY	316 ST. STL.
8	1	SEAL GUIDE	316 ST. STL.
9*	1	HEAD SEAL	FLUOROCARBON
10	1	OUTER SLEEVE	316 ST. STL.
11*	1	PISTON SEAL	NITRILE
12	1	PISTON	17-4 PH ST. STL

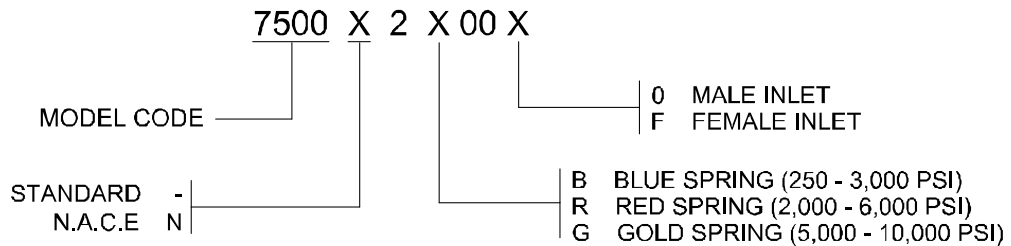
* INDICATES ITEMS IN THE REPAIR KIT

REPAIR KIT

- 75-015-000

OTHER TEMPERATURE RANGES AND SEAL COMPOUNDS AVAILABLE UPON REQUEST

ORDERING CODE



PHONE: 504-340-0055
 FAX: 504-340-0056
 EMAIL: SALES@RUELCO.COM

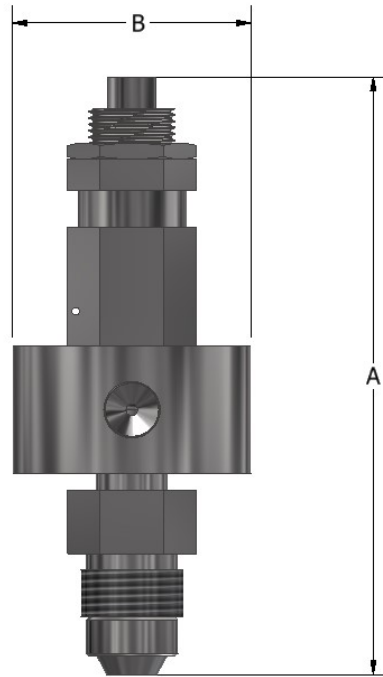
1209 DISTRIBUTORS ROW
 NEW ORLEANS, LA 70123

OPERATION

The Ruelco RV-1 Relief Valve is a stainless steel, soft seat, poppet relief valve capable of relieving pressures from 250 psi to 15,000 psi. The size of the valve makes it ideal for small spaces while the stainless steel construction allows the valve to operate in highly corrosive systems.

FEATURES

- 316 stainless steel construction
- Externally adjustable
- Wide adjustable ranges using only three springs
- 100% tested



HIGH PRESSURE RELIEF VALVE

DIMENSIONS

A	4.55" (115.6 mm)
B	1.88" (47.8 mm)
VENT PORT SIZE	1/4" FNPT
INLET PORT SIZE	9/16" MP CONE 3/8" MP CONE
WEIGHT	.7 LBS (.32 Kg)

SPECIFICATIONS

MAXIMUM WORKING PRESSURE	15,000 PSI (960 BAR)
AMBIENT TEMPERATURE RANGE	-20° TO 250° F -29° TO 121° C
RESET	± 10% OF RANGE
ACCURACY	± 5% OF SETPOINT
Cv	.12

PHONE: 504-340-0055
 FAX: 504-340-0056
 EMAIL: SALES@RUELCO.COM

1209 DISTRIBUTORS ROW
 NEW ORLEANS, LA 70123

PARTS LIST

ITEM	QUANTITY	DESCRIPTION	MATERIAL
1	1	SPRING CAP	316 ST. STL.
2	1	LOCK NUT	316 ST. STL.
3	1	SPRING HOUSING	316 ST. STL.
4A	1	BLUE SPRING	SPRING WIRE
4B	-	RED SPRING	SPRING WIRE
4C	-	GOLD SPRING	SPRING WIRE
5	1	SPRING PLATE	316 ST. STL.
6*	1	BODY SEAL	NITRILE
7	1	RELIEF VALVE BODY	17-4 PH ST. STL.
8	1	SEAL GUIDE	316 ST. STL.
9*	1	HEAD SEAL	URETHANE
10	1	OUTER SLEEVE	316 ST. STL.
11*	1	PISTON SEAL	NITRILE
12	1	PISTON	17-4 PH ST. STL

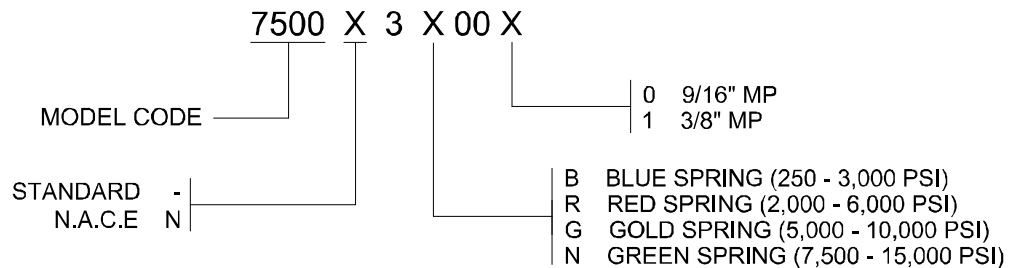
* INDICATES ITEMS IN THE REPAIR KIT

REPAIR KIT

- 75-034-000

OTHER TEMPERATURE RANGES AND SEAL COMPOUNDS AVAILABLE UPON REQUEST

ORDERING CODE



PHONE: 504-340-0055
 FAX: 504-340-0056
 EMAIL: SALES@RUELCO.COM

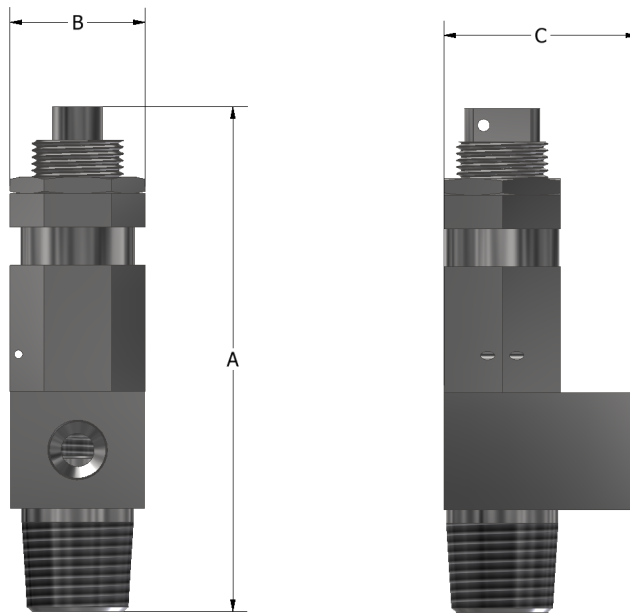
1209 DISTRIBUTORS ROW
 NEW ORLEANS, LA 70123

OPERATION

The Ruelco RV-2 High Flow Relief Valve is a stainless steel, soft seat, poppet relief valve capable of relieving pressures from 50 psi to 400 psi. The size of the valve makes it ideal for small spaces while the stainless steel construction allows the valve to operate in highly corrosive systems.

FEATURES

- 316 stainless steel construction
- Externally adjustable
- Three Ranges for precise adjustment
- Liquid and Gas Service
- 100% tested
- Compact design



DIMENSIONS

A	3.75" (95.25 mm)
B	1.00" (25.4 mm)
C	1.50" (38.1 mm)
INLET PORT SIZE	1/2" MNPT
OUTLET PORT SIZE	1/4" FNPT
WEIGHT	.65 LBS (.29 Kg)

SPECIFICATIONS

MAXIMUM WORKING PRESSURE	500 PSI (34.47 BAR)
AMBIENT TEMPERATURE RANGE	-20° TO 250° F
	-29° TO 121° C
RESET	± 15% OF RANGE
ACCURACY	± 5% OF SETPOINT
Cv	.41

HIGH FLOW RELIEF VALVE

PHONE: 504-340-0055
FAX: 504-340-0056
EMAIL: SALES@RUELCO.COM

1209 DISTRIBUTORS ROW
NEW ORLEANS, LA 70123

PARTS LIST

ITEM	QUANTITY	DESCRIPTION	MATERIAL
1	1	SPRING CAP	316 ST. STL.
2	1	LOCK NUT	316 ST. STL.
3	1	SPRING HOUSING	316 ST. STL.
4	1	SPRING	SPRING WIRE
5	1	SPRING PLATE	316 ST. STL.
6*	1	BODY SEAL	NITRILE
7	1	RELIEF VALVE BODY	316 ST. STL.
8	1	SEAL GUIDE	316 ST. STL.
9*	1	HEAD SEAL	FLUROCARBON
10	1	OUTER SLEEVE	316 ST. STL.
11*	1	PISTON SEAL	NITRILE
12	1	PISTON	17-4 PH ST. STL

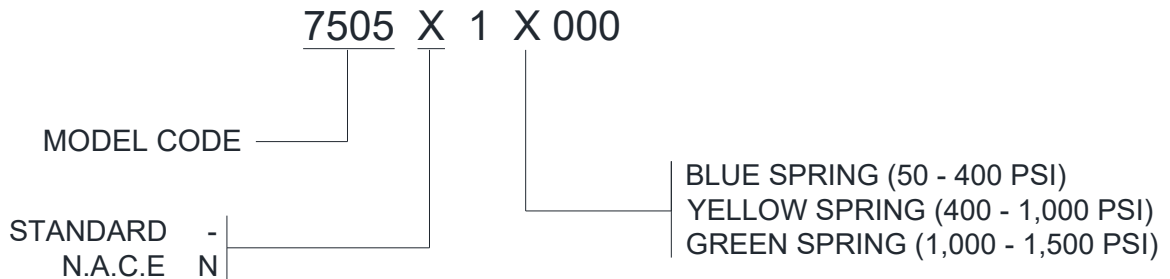
* INDICATES ITEMS IN THE REPAIR KIT

REPAIR KIT

- 75-043-000

OTHER TEMPERATURE RANGES AND SEAL COMPOUNDS AVAILABLE UPON REQUEST

ORDERING CODE



PHONE: 504-340-0055
 FAX: 504-340-0056
 EMAIL: SALES@RUELCO.COM

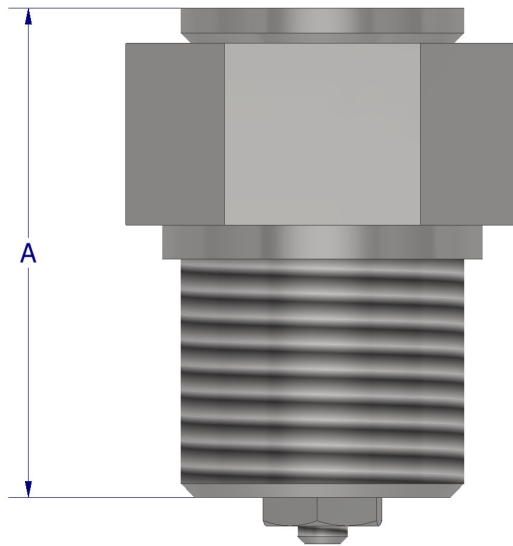
1209 DISTRIBUTORS ROW
 NEW ORLEANS, LA 70123

OPERATION

The Ruelco Popoff Relief Valve is a stainless steel, soft seat, poppet relief valve capable of relieving pressures up to 150 psi. The size of the valve makes it ideal for small spaces while the stainless steel construction allows the valve to operate in highly corrosive systems.

FEATURES

- 316 stainless steel construction
- Leak free seal
- Large Cv factor for high flow rates
- Small compact design
- Tamper proof adjustment
- Accurate and repeatable set point



POPOFF RELIEF VALVE

DIMENSIONS

A	1.08" (27.4 mm)
HEX	.75" (19.05 mm)
INTERNAL DIAMETER	.450" (11.43 mm)
CONNECTION SIZES	VARIOUS
WEIGHT	.08 LBS (.036 Kg)

SPECIFICATIONS

MAXIMUM WORKING PRESSURE	200 PSI (640 BAR)
AMBIENT TEMPERATURE RANGE	-20° TO 250° F
	-29° TO 121° C
RESET	± 10% OF RANGE
ACCURACY	± 5% OF SETPOINT
Cv	.42

PHONE: 504-340-0055
FAX: 504-340-0056
EMAIL: SALES@RUELCO.COM

1209 DISTRIBUTORS ROW
NEW ORLEANS, LA 70123

PARTS LIST

ITEM	QUANTITY	DESCRIPTION	MATERIAL
1	1	BODY	316 ST. STL.
2	1	POPPET	316 ST. STL.
3*	1	POPPET SEAL	NITRILE
4	1	SPRING	SPRING WIRE
5	1	RETAINER	316 ST. STL.
6	1	RETAINER NUT	ST. STL.

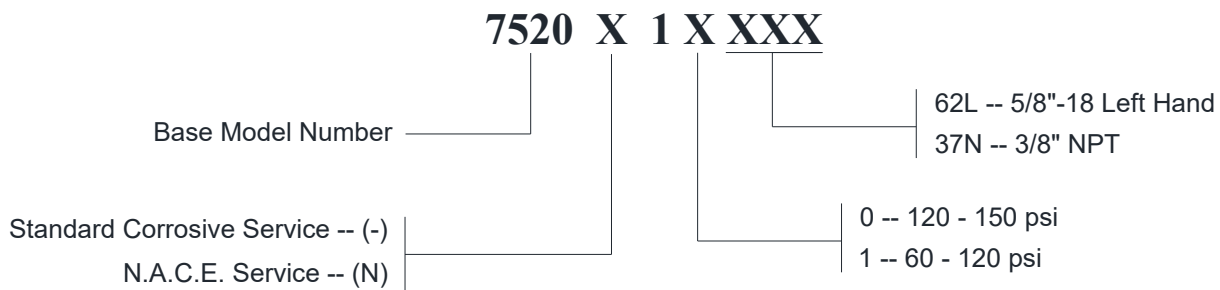
* INDICATES ITEMS IN THE REPAIR KIT

REPAIR KIT

- 75-104-000

OTHER TEMPERATURE RANGES AND SEAL COMPOUNDS AVAILABLE UPON REQUEST

ORDERING CODE



PHONE: 504-340-0055
 FAX: 504-340-0056
 EMAIL: SALES@RUELCO.COM

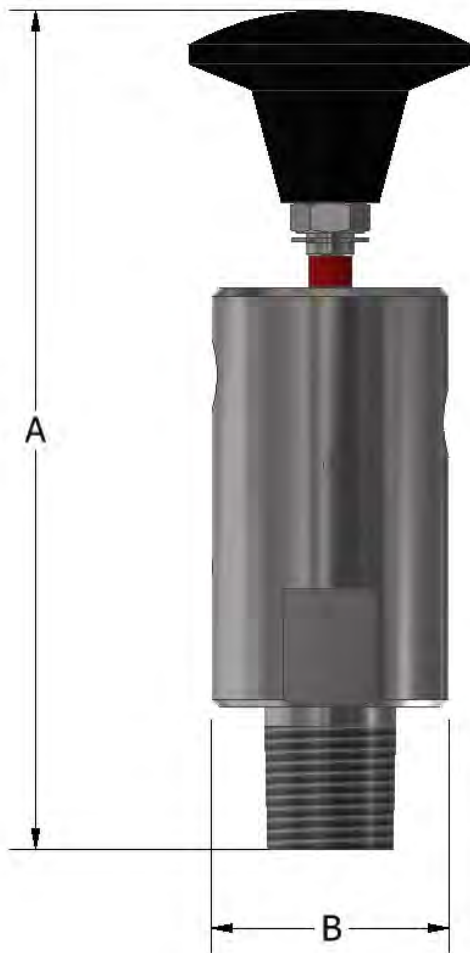
1209 DISTRIBUTORS ROW
 NEW ORLEANS, LA 70123

OPERATION

The Ruelco Model Pneumatic Sand Probe Relay uses a thin wall steel probe installed directly in a flowline to detect and indicate that excessive erosion or corrosion has occurred. It utilizes a reliable normally closed block-and-bleed 3-way valve that will vent an instrumentation signal and provide visual indication that the probe has lost pressure integrity. This alerts field personnel that inspection of the flowline and possible repair may be required.

FEATURES

- 316 stainless steel construction meets severe service demands (Models to N.A.C.E MR0175 available)
- Will operate with flowline pressures as low as 100 psi
- Fluorocarbon O-rings are utilized for dependability
- Red Band on shaft provides visual indication that sand probe relay has operated
- Knob provided for manually testing



DIMENSIONS

A	5.32" (135.13 mm)
B	1.50" (38.1 mm)
PROCESS CONNECTION PORT	1/2" NPT
PNEUMATIC PORTS	1/4" NPT

PHONE: 504-340-0055
 FAX: 504-340-0056
 EMAIL: SALES@RUELCO.COM

1209 DISTRIBUTORS ROW
 NEW ORLEANS, LA 70123

PARTS LIST

ITEM	QUANTITY	DESCRIPTION	MATERIAL
1A	1	BLACK KNOB	PHENOLIC
1B	-	RED KNOB	PHENOLIC
1C	-	GREEN KNOB	PHENOLIC
2	1	LOCK NUT	316 ST. STL.
3*	1	SNAP RING	316 ST. STL.
4*	2	SHAFT O-RING	FLUOROCARBON
5	1	SHAFT	316 ST. STL.
6	1	VALVE BODY	316 ST. STL.
7*	2	PISTON O-RING	FLUOROCARBON

* INDICATES ITEMS IN THE REPAIR KIT

SPECIFICATIONS

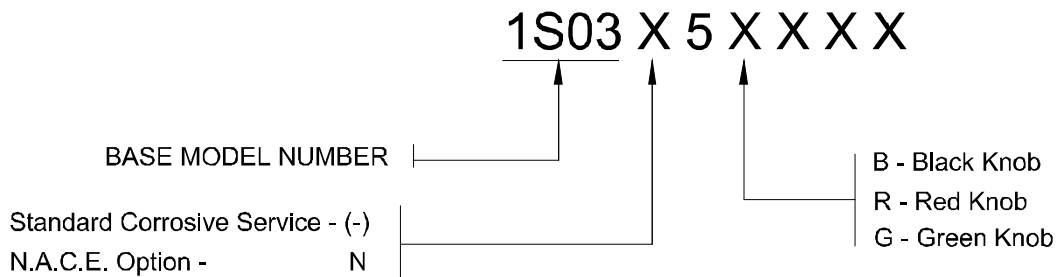
INSTRUMENT MAXIMUM	150 PSI (10.3 BAR)
RELAY OPERATION RANGE (BASED ON PROBE)	100 PSI (6.7 BAR) MINIMUM 10,000 PSI (690 BAR) MAXIMUM
AMBIENT TEMPERATURE RANGE	-20° TO 250° F -29° TO 122° C
Cv FACTOR	.34

REPAIR KIT

- 1S-004-000

OTHER TEMPERATURE RANGES AND SEAL COMPOUNDS AVAILABLE UPON REQUEST

ORDERING CODE

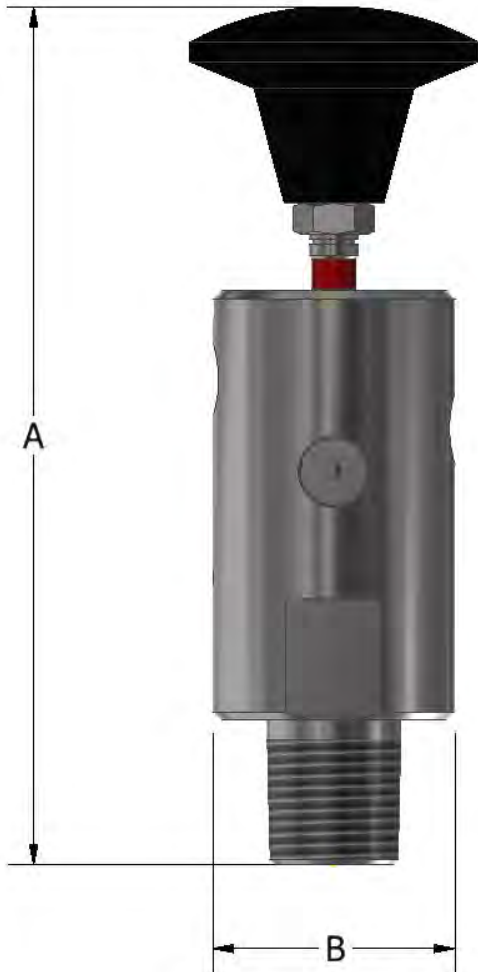


PHONE: 504-340-0055
 FAX: 504-340-0056
 EMAIL: SALES@RUELCO.COM

1209 DISTRIBUTORS ROW
 NEW ORLEANS, LA 70123

OPERATION

The Ruelco Hydraulic Sand Probe Relay uses a thin wall steel probe installed directly in a flowline to detect and indicate that excessive erosion or corrosion has occurred. It utilizes a reliable normally closed block-and-bleed 3-way valve that will vent a low pressure hydraulic instrumentation signal and provide visual indication that the probe has lost pressure integrity. This alerts field personnel that inspection of the flowline and possible repair may be required.



FEATURES

- 316 stainless steel construction meets severe service demands (Models to N.A.C.E MR0175 available)
- Will operate with flowline pressures as low as 100 PSI
- Fluorocarbon O-rings are utilized for dependability
- Red Band on shaft provides visual indication that sand probe relay has operated
- Knob provided for manually testing

DIMENSIONS

A	5.32" (135.13 mm)
B	1.50" (38.1 mm)
PROCESS CONNECTION	1/2" NPT
HYDRAULIC PORTS	1/4" NPT

HYDRAULIC SAND PROBE RELAY

PHONE: 504-340-0055
FAX: 504-340-0056
EMAIL: SALES@RUELCO.COM

1209 DISTRIBUTORS ROW
NEW ORLEANS, LA 70123

PARTS LIST

ITEM	QUANTITY	DESCRIPTION	MATERIAL
1A	1	BLACK KNOB	PHENOLIC
1B	-	RED KNOB	PHENOLIC
1C	-	GREEN KNOB	PHENOLIC
2	1	LOCK NUT	316 ST. STL.
3*	1	SNAP RING	316 ST. STL.
4*	2	SHAFT O-RING	FLUOROCARBON
5	1	SHAFT	316 ST. STL.
6	1	VALVE BODY	316 ST. STL.
7*	2	PISTON O-RING	FLUOROCARBON

* INDICATES ITEMS IN THE REPAIR KIT

SPECIFICATIONS

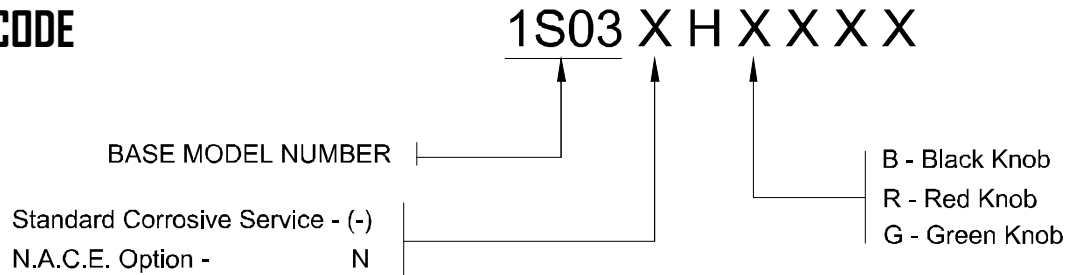
INSTRUMENT MAXIMUM	150 PSI (10.3 BAR)
RELAY OPERATION RANGE (BASED ON PROBE)	100 PSI (6.7 BAR)
	MINIMUM
	10,000 PSI (690 BAR)
AMBIENT TEMPERATURE RANGE	MAXIMUM
	-20° TO 250° F
	-29° TO 122° C
Cv FACTOR	.34

REPAIR KIT

- 1S-004-000

OTHER TEMPERATURE RANGES AND SEAL COMPOUNDS AVAILABLE UPON REQUEST

ORDERING CODE



PHONE: 504-340-0055
 FAX: 504-340-0056
 EMAIL: SALES@RUELCO.COM

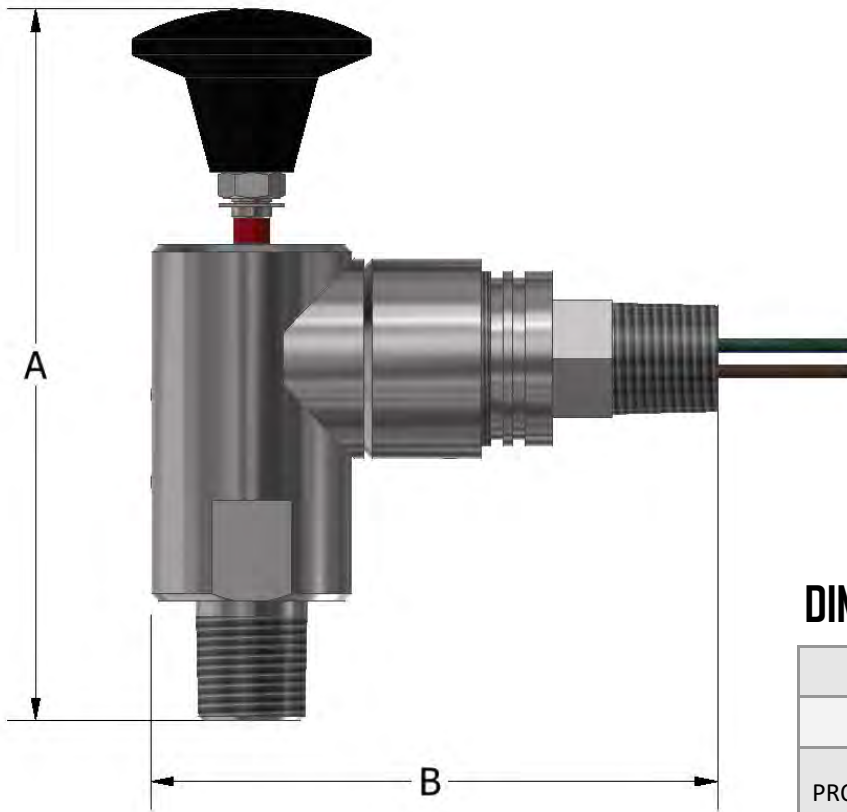
1209 DISTRIBUTORS ROW
 NEW ORLEANS, LA 70123

OPERATION

The Ruelco Electric Sand Probe relay uses a thin wall steel probe installed directly in a flowline to detect and indicate that excessive erosion or corrosion has occurred. It utilizes a reliable hazardous location, hermetically sealed reed switch and red indication band to provide an electric signal and visual indication that the probe has lost pressure integrity. This alerts field personnel that inspection of the flowline and possible repair may be required. The electric switch can be set either normally open or normally closed depending on the electric connections used.

FEATURES

- 316 stainless steel construction meets severe service demands (Models to N.A.C.E MR0175 available)
- Will operate with flowline pressures as low as 100 psi
- Fluorocarbon O-rings are utilized for dependability
- Red Band on shaft provides visual indication that sand probe relay has operated
- Knob provided for manually testing



DIMENSIONS

A	5.32" (135.13 mm)
B	4.33" (110 mm)
PROCESS CONNECTION	1/2" NPT
ELECTRIC CONNECTION	1/2" NPT

ELECTRIC SAND PROBE RELAY

PHONE: 504-340-0055
 FAX: 504-340-0056
 EMAIL: SALES@RUELCO.COM

1209 DISTRIBUTORS ROW
 NEW ORLEANS, LA 70123

ELECTRICAL OPERATION

LEAD	COLOR	RISING LEVEL	FALLING LEVEL
NO / NO2	BLUE / PURPLE	CLOSES	OPENS
NC / NC2	RED / BLACK	OPENS	CLOSES
C / C2	BROWN / YELLOW	COMMON LEADS	
GND	GREEN	GROUND	

ELECTRICAL SPECIFICATIONS

SPDT & DPDT SWITCH MAXIMUM VOLTAGE	250 VAC 28 VDC
SPDT & DPDT SWITCH AMPS @ MAXIMUM VOLTAGE	5 AMPS
AMBIENT TEMPERATURE RANGE	-20 TO 158° F -29 TO 70° C

ELECTRICAL CERTIFICATIONS

UNDERWRITERS LABORATORIES	CLASS I, GROUPS A,B,C,D
UNDERWRITERS LABORATORIES	CLASS II, GROUPS E,F,G
ATEX	Ex d IIC

ELECTRIC SAND PROBE RELAY

PHONE: 504-340-0055
 FAX: 504-340-0056
 EMAIL: SALES@RUELCO.COM

1209 DISTRIBUTORS ROW
 NEW ORLEANS, LA 70123

PARTS LIST

ITEM	QUANTITY	DESCRIPTION	MATERIAL
1A	1	BLACK KNOB	PHENOLIC
1B	-	RED KNOB	PHENOLIC
1C	-	GREEN KNOB	PHENOLIC
2	1	LOCK NUT	316 ST. STL.
3*	1	SNAP RING	316 ST. STL.
4*	1	SHAFT O-RING	FLUOROCARBON
5	1	SHAFT	316 ST. STL.
6	1	VALVE BODY	316 ST. STL.
7*	2	PISTON O-RING	316 ST. STL.
8	1	PUSH ROD	316 ST. STL.
9A	1	SPDT ELECTRIC SWITCH ASSEMBLY	316 ST. STL.
9B	-	DPDT ELECTRIC SWITCH ASSEMBLY	316 ST. STL.

* INDICATES ITEMS IN THE REPAIR KIT

SPECIFICATIONS

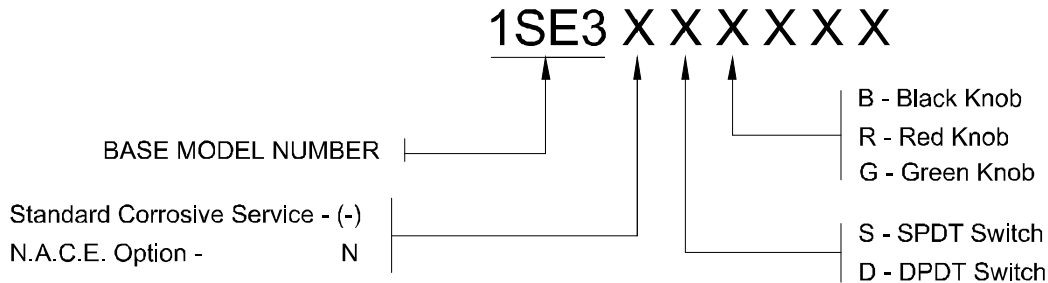
RELAY OPERATION RANGE (BASED ON PROBE)	100 PSI (6.7 BAR) MINIMUM 10,000 PSI (690 BAR) MAXIMUM
AMBIENT TEMPERATURE RANGE	-20° TO 250° F -29° TO 122° C

REPAIR KIT

- 1S-022-000

OTHER TEMPERATURE RANGES AND SEAL COMPOUNDS AVAILABLE UPON REQUEST

ORDERING CODE



PHONE: 504-340-0055
 FAX: 504-340-0056
 EMAIL: SALES@RUELCO.COM

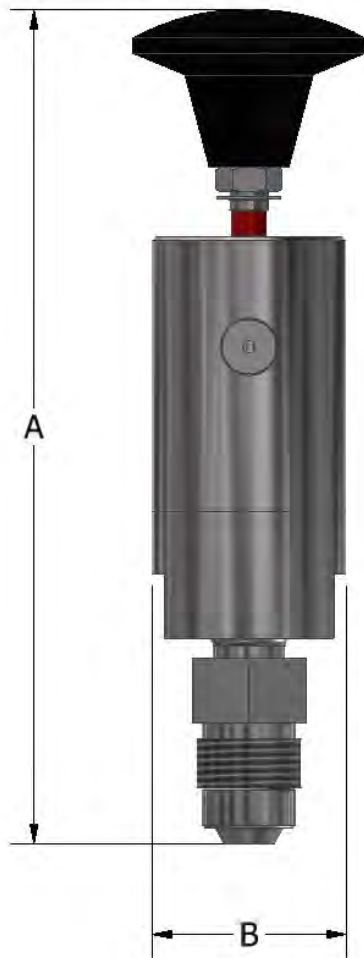
1209 DISTRIBUTORS ROW
 NEW ORLEANS, LA 70123

OPERATION

The Ruelco Model 15,000 PSI Pneumatic Sand Probe Relay uses a thin wall steel probe installed directly in a flowline to detect and indicate that excessive erosion or corrosion has occurred. It utilizes a reliable normally closed block-and-bleed 3-way valve that will vent an instrumentation signal and provide visual indication that the probe has lost pressure integrity. This alerts field personnel that inspection of the flowline and possible repair may be required.

FEATURES

- 316 stainless steel construction meets severe service demands (models to N.A.C.E MR0175 available)
- Will operate with flowline pressures as low as 100 psi
- Fluorocarbon O-rings are utilized for dependability
- Red band on shaft provides visual indication that sand probe relay has operated
- Knob provided for manually testing



DIMENSIONS

A	6.37" (161.8 mm)
B	1.50" (38.1 mm)
PROCESS CONNECTION PORT	9/16" MP CONE
PNEUMATIC PORTS	1/4" NPT

SPECIFICATIONS

INSTRUMENT MAXIMUM WORKING PRESSURE	150 PSI (10.3 BAR)
RELAY OPERATION RANGE (BASED ON PROBE)	300 PSI (20.7 BAR) MINIMUM 15,000 PSI (1035 BAR) MAXIMUM
AMBIENT TEMPERATURE RANGE	-20° TO 250° F -29° TO 122° C
Cv FACTOR	.34

PHONE: 504-340-0055
 FAX: 504-340-0056
 EMAIL: SALES@RUELCO.COM

1209 DISTRIBUTORS ROW
 NEW ORLEANS, LA 70123

PARTS LIST

ITEM	QUANTITY	DESCRIPTION	MATERIAL
1A	1	BLACK KNOB	PHENOLIC
1B	-	RED KNOB	PHENOLIC
1C	-	GREEN KNOB	PHENOLIC
2	1	LOCK NUT	316 ST. STL.
3*	1	SNAP RING	316 ST. STL.
4*	1	SHAFT O-RING	FLUOROCARBON
5	1	SHAFT	316 ST. STL.
6	1	VALVE BODY	316 ST. STL.
7	1	PISTON	17-4 ST. STL.
8	1	SLEEVE	17-4 ST. STL.
9	1	HIGH PRESSURE BASE	17-4 ST. STL.
10*	1	PISTON SEAL	FLUOROCARBON
11*	1	BACKUP SEAL	TEFLON
12	1	GLAND NUT	316 ST. STL.
13	1	COLLAR	316 ST. STL.

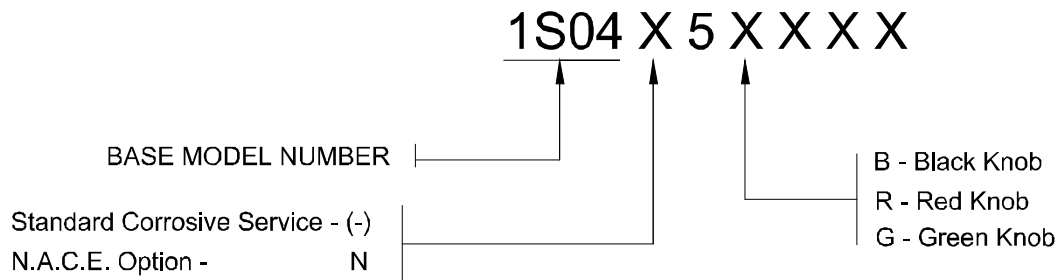
* INDICATES ITEMS IN THE REPAIR KIT

REPAIR KIT

- 1S-014-000

OTHER TEMPERATURE RANGES AND SEAL COMPOUNDS AVAILABLE UPON REQUEST

ORDERING CODE



PHONE: 504-340-0055
 FAX: 504-340-0056
 EMAIL: SALES@RUELCO.COM

1209 DISTRIBUTORS ROW
 NEW ORLEANS, LA 70123

OPERATION

The Ruelco Electric Sand Probe Relay uses a thin wall steel probe installed directly in a flowline to detect and indicate that excessive erosion or corrosion has occurred. It utilizes a reliable hazardous location, hermitically sealed reed switch and red indication band to provide an electric signal and visual indication that the probe has lost pressure integrity. This alerts field personnel that inspection of the flowline and possible repair may be required. The electric switch can be set either normally open or normally closed depending on the electric connections used.

FEATURES

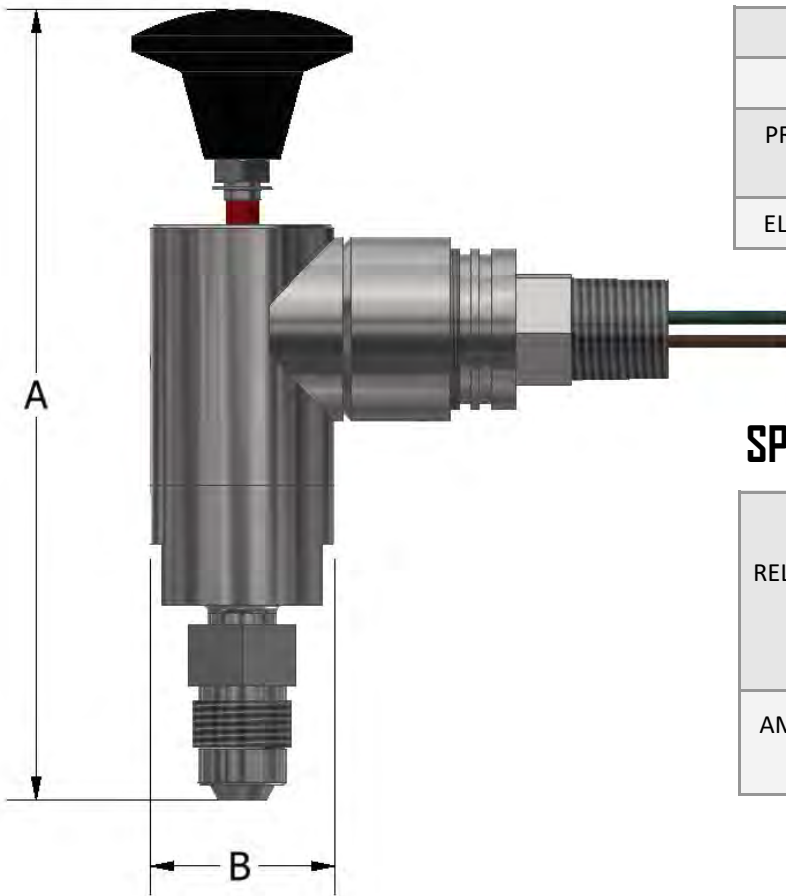
- 316 stainless steel construction meets severe service demands (Models to N.A.C.E MR0175 available)
- Will operate with flowline pressures as low as 100 psi
- Fluorocarbon O-rings are utilized for dependability
- Red Band on shaft provides visual indication that sand probe relay has operated
- Knob provided for manually testing

DIMENSIONS

A	6.37" (161.8 mm)
B	1.50" (38.1 mm)
PROCESS CONNECTION PORT	9/16" MP CONE
ELECTRIC CONNECTION	1/2" MNPT

SPECIFICATIONS

RELAY OPERATION RANGE (BASED ON PROBE)	300 PSI (20.7 BAR) MINIMUM 15,000 PSI (1035 BAR) MAXIMUM
AMBIENT TEMPERATURE RANGE	-20° TO 250° F



15,000 PSI ELECTRIC SAND PROBE RELAY

PHONE: 504-340-0055
 FAX: 504-340-0056
 EMAIL: SALES@RUELCO.COM

1209 DISTRIBUTORS ROW
 NEW ORLEANS, LA 70123

ELECTRICAL OPERATION

LEAD	COLOR	RISING LEVEL	FALLING LEVEL
NO / NO2	BLUE / PURPLE	CLOSES	OPENS
NC / NC2	RED / BLACK	OPENS	CLOSES
C / C2	BROWN / YELLOW	COMMON LEADS	
GND	GREEN	GROUND	

ELECTRICAL SPECIFICATIONS

SPDT & DPDT SWITCH MAXIMUM VOLTAGE	250 VAC 28 VDC
SPDT & DPDT SWITCH AMPS @ MAXIMUM VOLTAGE	5 AMPS
AMBIENT TEMPERATURE RANGE	-20 TO 158° F -29 TO 70° C

ELECTRICAL CERTIFICATIONS

UNDERWRITERS LABORATORIES	CLASS I, GROUPS A,B,C,D
UNDERWRITERS LABORATORIES	CLASS II, GROUPS E,F,G
ATEX	Ex d IIC

PHONE: 504-340-0055
 FAX: 504-340-0056
 EMAIL: SALES@RUELCO.COM

1209 DISTRIBUTORS ROW
 NEW ORLEANS, LA 70123

PARTS LIST

ITEM	QUANTITY	DESCRIPTION	MATERIAL
1	1	BLACK KNOB	PHENOLIC
2	1	LOCK NUT	316 ST. STL.
3*	1	SNAP RING	316 ST. STL.
4*	1	SHAFT O-RING	FLUOROCARBON
5	1	SHAFT	316 ST. STL.
6*	1	WEAR RING	DELFIN
7	1	VALVE BODY	316 ST. STL.
8	1	PISTON	17-4 ST. STL.
9	1	SLEEVE	17-4 ST. STL.
10	1	HIGH PRESSURE BASE	17-4 ST. STL.
11*	1	PISTON SEAL	FLUOROCARBON
12*	1	BACKUP SEAL	TEFLON
13	1	GLAND NUT	316 ST. STL.
14	1	COLLAR	316 ST. STL.
15A	1	SPDT ELECTIC SWITCH ASSEMBLY	316 ST. STL.
15B	-	DPDT ELECTRIC SWITCH ASSEMBLY	316 ST.STL.

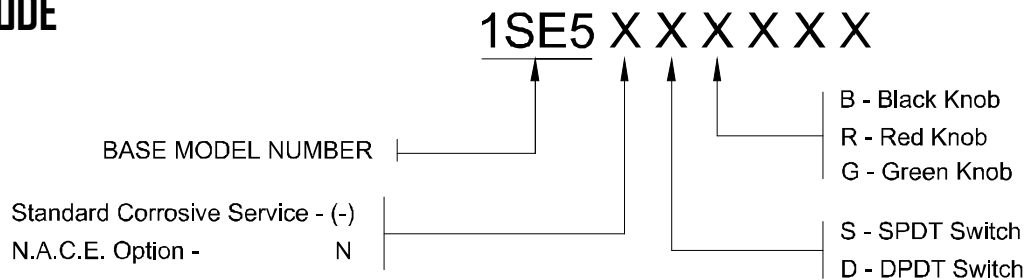
* INDICATES ITEMS IN THE REPAIR KIT

REPAIR KIT

- 1S-027-000

OTHER TEMPERATURE RANGES AND SEAL COMPOUNDS AVAILABLE UPON REQUEST

ORDERING CODE



PHONE: 504-340-0055
 FAX: 504-340-0056
 EMAIL: SALES@RUELCO.COM

1209 DISTRIBUTORS ROW
 NEW ORLEANS, LA 70123

OPERATION

The Ruelco Sand Probe Relay and Sand Probes are designed to provide a positive indication of excessive erosion or corrosion which can occur in flow line pipes due to sand or other foreign debris. The thin wall probe will wear due to the constant presence of sand and activate the relay once pressure integrity has been lost. This will alert field personnel to possible inspection and repair needs.

For all standard flow line applications, Ruelco recommends drilling a hole and welded a 1/2" npt threaded weldolet directly onto the pipe. The various Ruelco probe lengths are designed to ensure that the maximum flow velocity of the sand or debris impacts the tip end of the probe. This provides the best indication of sand erosion without greatly impacting the flow itself.



SAND PROBE INSTALL GUIDE

PHONE: 504-340-0055
FAX: 504-340-0056
EMAIL: SALES@RUELCO.COM

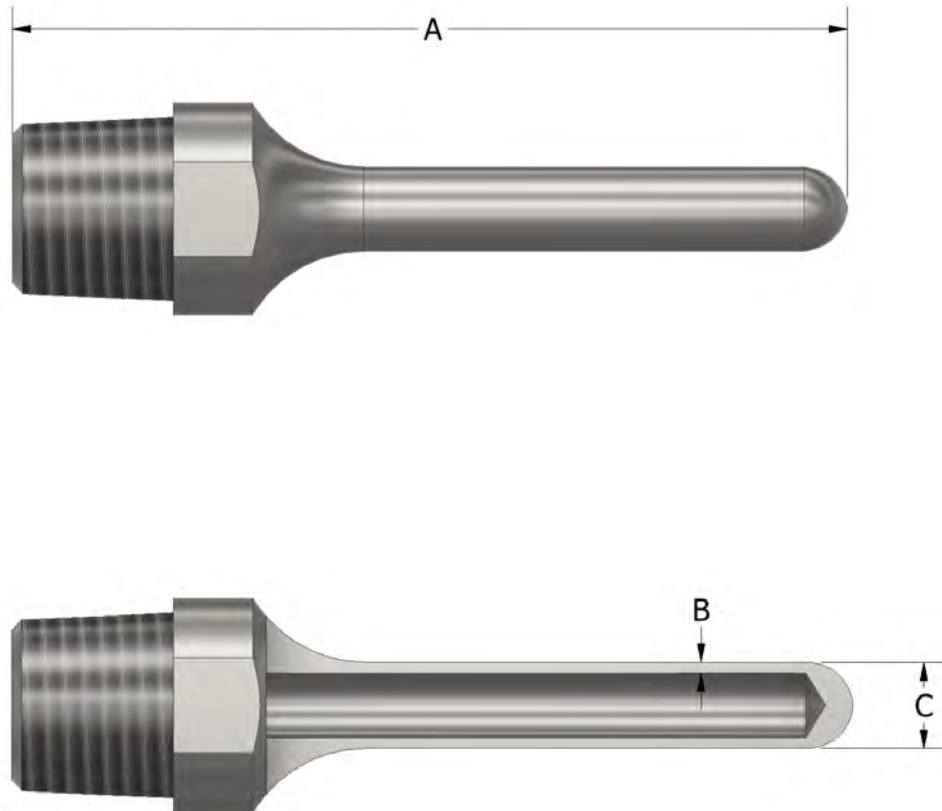
1209 DISTRIBUTORS ROW
NEW ORLEANS, LA 70123

OPERATION

The Ruelco Sand Probe is designed to work with the Ruelco Sand Probe Relay to provide a positive indication of excessive erosion or corrosion which can occur in flow line pipes due to sand or other foreign debris. The thin wall probe will wear due to the constant presence of sand and activate the relay once pressure integrity has been lost. This will alert field personnel to possible inspection and repair needs. The probe is designed to wear 5 times faster than the flow line it is protecting and is pressure rated to 1.25 times the pipe it is installed into.

FEATURES

- Stock probes available in 316 stainless steel and 1018 carbon steel
- Exotic Materials available
- Temperature Range -50°F to 450°F
- Custom wall thicknesses available



SAND PROBE

PHONE: 504-340-0055
FAX: 504-340-0056
EMAIL: SALES@RUELCO.COM

1209 DISTRIBUTORS ROW
NEW ORLEANS, LA 70123

DIMENSIONS

PIPE SIZE	2 INCH	3 INCH	4 INCH	5 INCH	6 INCH
A	1.875" (47.6 mm)	2.437" (61.9 mm)	2.937" (74.6 mm)	3.937" (100 mm)	4.437" (112.7 mm)

DIMENSIONS

PIPE SCHEDULE	SCH. 40	SCH. 80	SCH. 160	.065 WALL	SCH. XXH
B	.025" (.64 mm)	.032" (.81 mm)	.050" (1.3 mm)	.065" (1.65mm)	.125" (3.2 mm)
C	.25" (6.4 mm)	.25" (6.4 mm)	.25" (6.4 mm)	.25" (6.4 mm)	.50" (12.7 mm)

SPECIFICATIONS

	2 INCH	3 INCH	4 INCH	5 INCH	6 INCH
316 ST. STL.	60 ft/s	40 ft/s	30 ft/s	22 ft/s	16 ft/s
1018 CARBON	50 ft/s	30 ft/s	25 ft/s	20 ft/s	15 ft/s

* MAX VELOCITY RECOMMENDATIONS ARE BASED UPON A STANDARD FLOW AND FLUID AND CAN VARY WITH OPERATING CONDITIONS

ORDERING CODE

1S-001-X X X

- 1 - Schedule 80 Probe Wall
- 2 - Schedule 160 Probe Wall
- 3 - Schedule XXH Probe Wall
- 4 - Schedule 40 Probe Wall
- 5 - .065" Probe Wall

- C - Carbon Steel Probe
- N - 316 St. Stl. Probe
- I - Inconel Probe
- S - Super Duplex Probe

- 2 - Probe for 2" Flowline
- 3 - Probe for 3" Flowline
- 4 - Probe for 4" Flowline
- 5 - Probe for 5" Flowline
- 6 - Probe for 6" Flowline

PHONE: 504-340-0055
 FAX: 504-340-0056
 EMAIL: SALES@RUELCO.COM

1209 DISTRIBUTORS ROW
 NEW ORLEANS, LA 70123

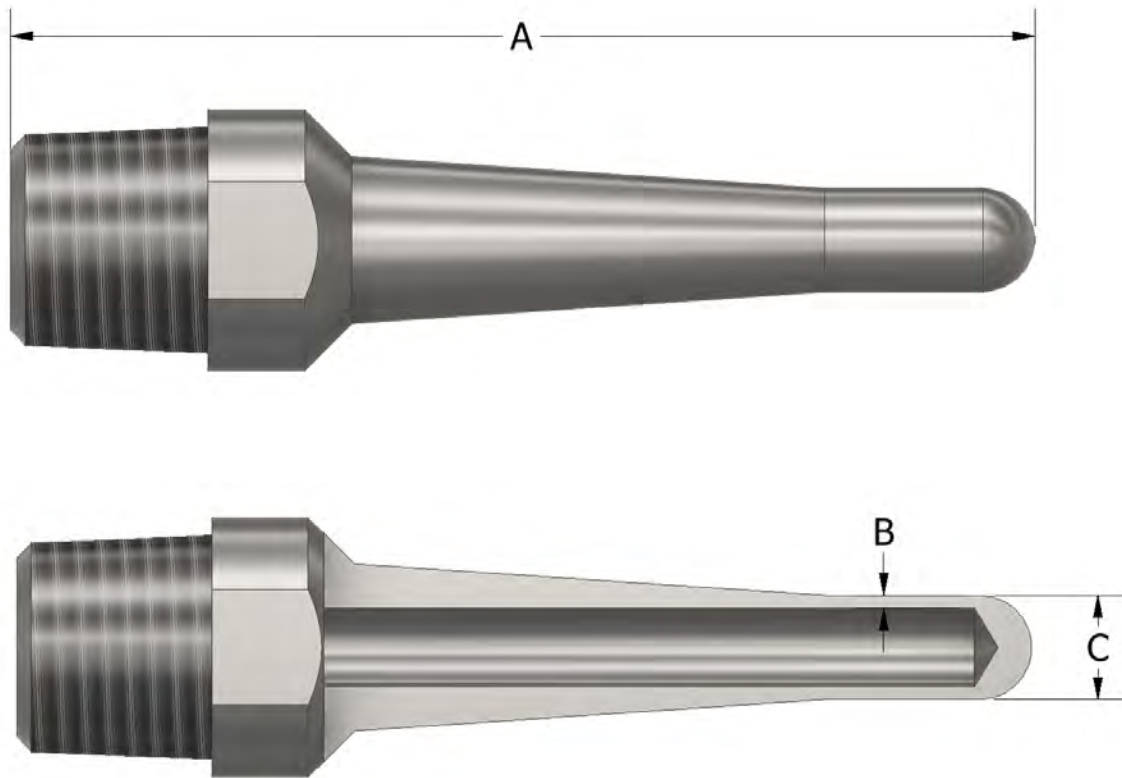
SAND PROBE

OPERATION

The Ruelco High Velocity Sand Probe is designed to work with the Ruelco Sand Probe Relay to provide a positive indication of excessive erosion or corrosion which can occur in high flow line pipes due to sand or other foreign debris. The thin wall probe will wear due to the constant presence of sand and activate the relay once pressure integrity has been lost. This will alert field personnel to possible inspection and repair needs. The probe is designed to wear 5 times faster than the flow line it is protecting and is pressure rated to 1.25 times the pipe it is installed into.

FEATURES

- Stock probes available in 316 stainless steel and 1018 carbon steel
- Exotic Materials available
- Temperature Range -50°F to 450°F
- Custom wall thicknesses available



HIGH VELOCITY SAND PROBE

PHONE: 504-340-0055
FAX: 504-340-0056
EMAIL: SALES@RUELCO.COM

1209 DISTRIBUTORS ROW
NEW ORLEANS, LA 70123

DIMENSIONS

PIPE SIZE	2 INCH	3 INCH	4 INCH	5 INCH	6 INCH
A	1.875" (47.6 mm)	2.437" (61.9 mm)	2.937" (74.6 mm)	3.937" (100 mm)	4.437" (112.7 mm)

DIMENSIONS

PIPE SCHEDULE	SCH. 40	SCH. 80	SCH. 160	.065 WALL	SCH. XXH
B	.025" (.64 mm)	.032" (.81 mm)	.050" (1.3 mm)	.065" (1.65mm)	.125" (3.2 mm)
C	.25" (6.4 mm)	.25" (6.4 mm)	.25" (6.4 mm)	.25" (6.4 mm)	.50" (12.7 mm)

SPECIFICATIONS (MAXIMUM VELOCITY)

	2 INCH	3 INCH	4 INCH	5 INCH	6 INCH
316 ST. STL.	100 ft/s	65 ft/s	45 ft/s	32 ft/s	25 ft/s
1018 CARBON	70 ft/s	45 ft/s	35 ft/s	25 ft/s	20 ft/s

* MAX VELOCITY RECOMMENDATIONS ARE BASED UPON A STANDARD FLOW AND FLUID AND CAN VARY WITH OPERATING CONDITIONS

ORDERING CODE

1S-H01-X X X

- 1 - Schedule 80 Probe Wall
- 2 - Schedule 160 Probe Wall
- 3 - Schedule XXH Probe Wall
- 4 - Schedule 40 Probe Wall
- 5 - .065" Probe Wall

- C - Carbon Steel Probe
- N - 316 St. Stl. Probe
- I - Inconel Probe
- S - Super Duplex Probe

- 2 - Probe for 2" Flowline
- 3 - Probe for 3" Flowline
- 4 - Probe for 4" Flowline
- 5 - Probe for 5" Flowline
- 6 - Probe for 6" Flowline

PHONE: 504-340-0055
 FAX: 504-340-0056
 EMAIL: SALES@RUELCO.COM

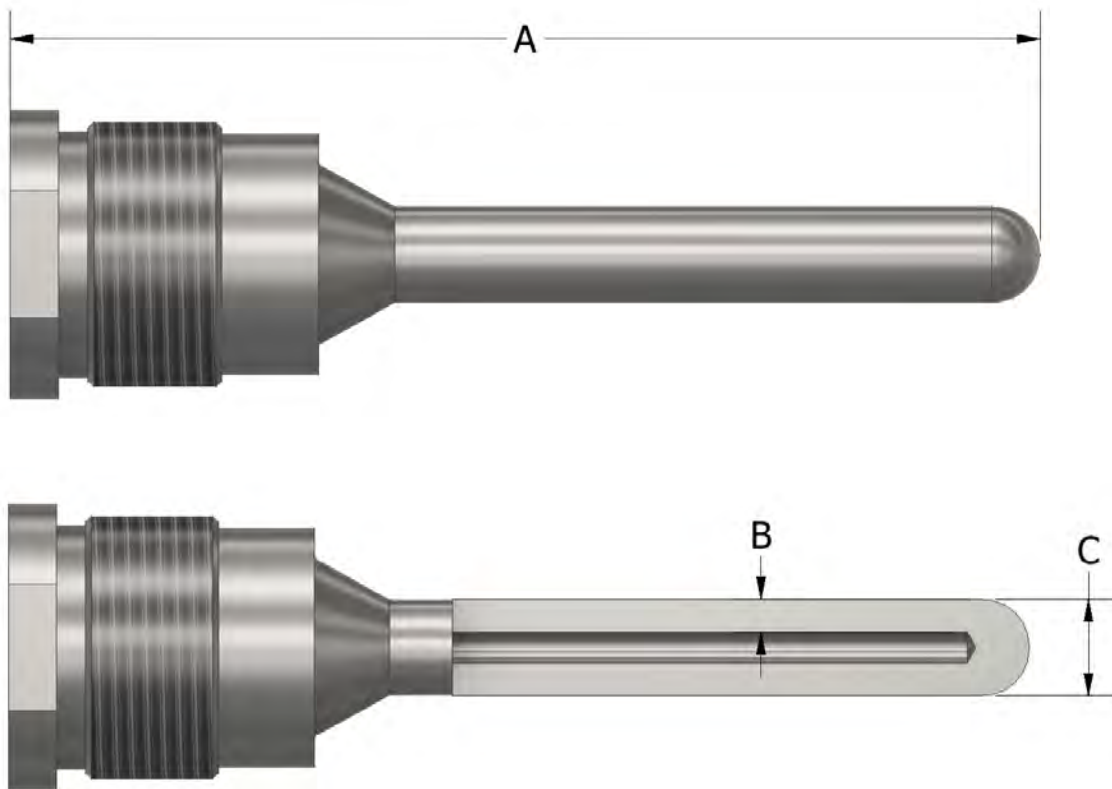
1209 DISTRIBUTORS ROW
 NEW ORLEANS, LA 70123

OPERATION

The Ruelco High Pressure Sand Probe is designed to work with the Ruelco 15,000 psi Sand Probe Relay to provide a positive indication of excessive erosion or corrosion which can occur in flow line pipes due to sand or other foreign debris. The thin wall probe will wear due to the constant presence of sand and activate the relay once pressure integrity has been lost. This will alert field personnel to possible inspection and repair needs. The probe is designed to wear 5 times faster than the flow line it is protecting and is pressure rated to 1.25 times the pressure it is installed into.

FEATURES

- Stock probes available in 316 stainless steel and 1018 carbon steel
- Exotic Materials available
- Temperature Range -50°F to 450°F
- Custom wall thicknesses available



HIGH PRESSURE SAND PROBE

PHONE: 504-340-0055
FAX: 504-340-0056
EMAIL: SALES@RUELCO.COM

1209 DISTRIBUTORS ROW
NEW ORLEANS, LA 70123

DIMENSIONS

PIPE SIZE	2 INCH	3 INCH	4 INCH
A	4.75" (120.6 mm)	5.31" (134.9 mm)	5.81" (147.6 mm)
B	.172" (4.37 mm)	.172" (4.37 mm)	.172" (4.37 mm)
C	.500" (12.7 mm)	.500" (12.7 mm)	.500" (12.7 mm)

SPECIFICATIONS

MAXIMUM WORKING PRESSURE	15,000 PSI (1035 BAR)
AMBIENT TEMPERATURE RANGE	-50° TO 450° F -45° TO 232° C

ORDERING CODE

1S-010-6 X X

C - Carbon Steel Probe
 N - 316 St. Stl. Probe
 I - Inconel Probe
 S - Super Duplex Probe

2 - Probe for 2" Flowline
 3 - Probe for 3" Flowline
 4 - Probe for 4" Flowline

HIGH PRESSURE SAND PROBE

PHONE: 504-340-0055
 FAX: 504-340-0056
 EMAIL: SALES@RUELCO.COM

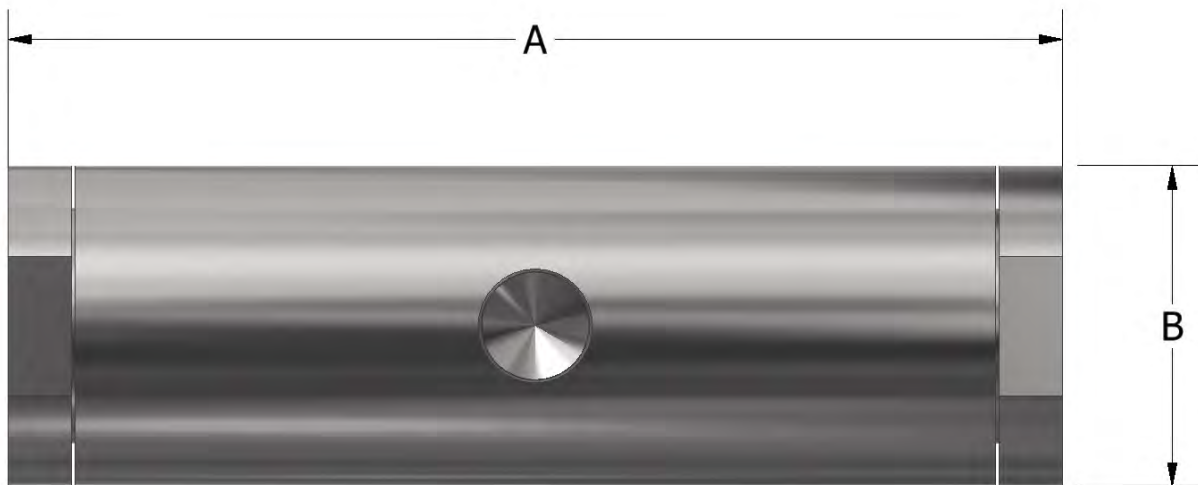
1209 DISTRIBUTORS ROW
 NEW ORLEANS, LA 70123

OPERATION

The Ruelco SV-1 Selector Valve is a double check valve with functions as a dual inlet port, non-return valve. The inlet with the higher pressure will be allowed to flow through to the outlet port, while the low pressure inlet pressure will be blocked. A fast response time is achieved with the minimum inlet differential of 5 psi and the high Cv factor. 17-4 stainless steel construction allows for high corrosion resistance in harsh environments and the simple design allows the valve to be repaired without the need for special tools.

FEATURES

- Stainless steel construction N.A.C.E. model available)
- All soft seal design
- Large Cv factors produce large flow rates
- Small compact design
- Simple operation allows for easy repair



SELECTOR CHECK VALVE

DIMENSIONS

A	3.67" (93.22 mm)
B	1.25" (31.8 mm)
CONNECTION PORT SIZES	1/4" NPT
WEIGHT	18.6 OZ (527.30 g)

PHONE: 504-340-0055
FAX: 504-340-0056
EMAIL: SALES@RUELCO.COM

1209 DISTRIBUTORS ROW
NEW ORLEANS, LA 70123

PARTS LIST

ITEM	QUANTITY	DESCRIPTION	MATERIAL
1	2	CAP	17-4 ST. STL.
2	1	BODY	17-4 ST. STL.
3*	2	O-RING	FLUOROCARBON
4*	2	O-RING	FLUOROCARBON
5	2	POPPET	17-4 ST. STL.
6	2	SPRING	316 ST. STL.

* INDICATES ITEMS IN THE REPAIR KIT

SPECIFICATIONS

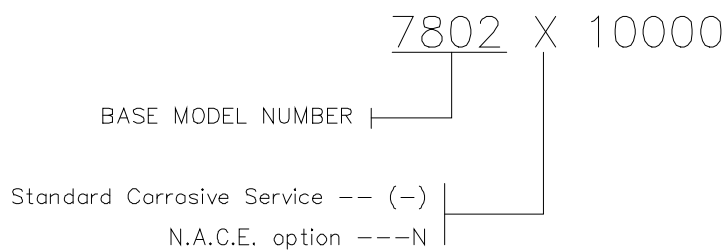
MAXIMUM WORKING PRESSURE	10,000 PSI (689.5 BAR)
CRACKING PRESSURE	5 PSI (.34 BAR)
AMBIENT TEMPERATURE RANGE	-20 TO 250° F -29 TO 122° C
Cv FACTOR	2.0

REPAIR KIT

- 78-101-000

OTHER TEMPERATURE RANGES AND SEAL COMPOUNDS AVAILABLE UPON REQUEST

ORDERING CODE



SELECTOR CHECK VALVE

PHONE: 504-340-0055
 FAX: 504-340-0056
 EMAIL: SALES@RUELCO.COM

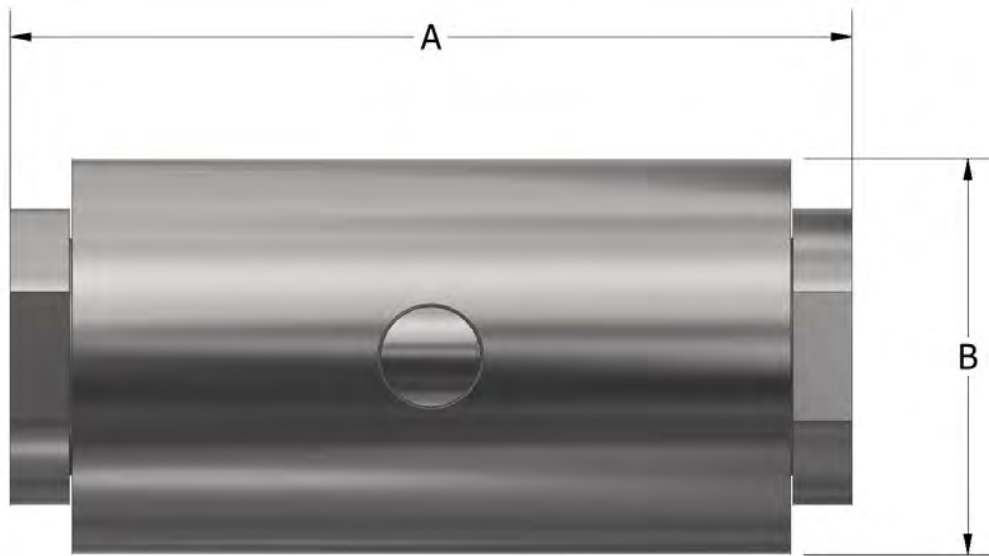
1209 DISTRIBUTORS ROW
 NEW ORLEANS, LA 70123

OPERATION

The Ruelco SV-2 Shuttle Valve is designed to function as a dual port, non-return selector valve. Only the inlet port with the higher pressure will flow through to the outlet port, while the other inlet port will be blocked. The high flow rate of the SV-2 allows for a quick response time due to the size of the designed orifices. The simple and compact design make the SV-2 easily repaired without the need for special tools.

FEATURES

- Stainless steel construction N.A.C.E. model available
- All soft seal design
- Large Cv factors produce large flow rates
- Small compact design
- Simple operation allows for easy repair



DIMENSIONS

A	3.54" (89.9 mm)
B	1.67" (42.4 mm)
PORT SIZE	1/4" FNPT
WEIGHT	1.85 LBS (839 g)

SV-2 SHUTTLE VALVE

PHONE: 504-340-0055
FAX: 504-340-0056
EMAIL: SALES@RUELCO.COM

1209 DISTRIBUTORS ROW
NEW ORLEANS, LA 70123

PARTS LIST

ITEM	QUANTITY	DESCRIPTION	MATERIAL
1	2	CAP	17-4 ST. STL.
2	1	BODY	17-4 ST. STL.
3*	2	O-RING	FLUOROCARBON
4*	2	O-RING	FLUOROCARBON
5	1	SHUTTLE	17-4 ST. STL.

* INDICATES ITEMS IN THE REPAIR KIT

SPECIFICATIONS

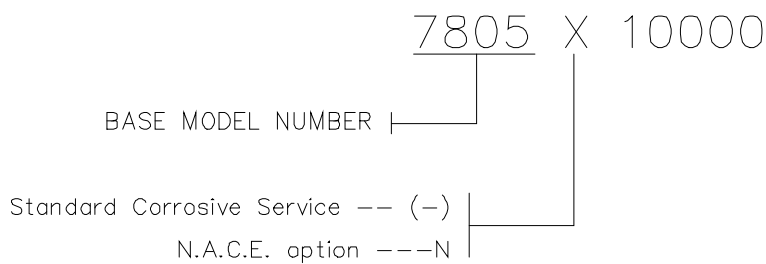
MAXIMUM WORKING PRESSURE	10,000 PSI (690 BAR)
CRACKING PRESSURE	5 PSI (0.34 BAR)
AMBIENT TEMPERATURE RANGE	-20 TO 250° F -29 TO 122° C
Cv FACTOR	2.0

REPAIR KIT

- 78-101-000

OTHER TEMPERATURE RANGES AND SEAL COMPOUNDS AVAILABLE UPON REQUEST

ORDERING CODE



PHONE: 504-340-0055
 FAX: 504-340-0056
 EMAIL: SALES@RUELCO.COM

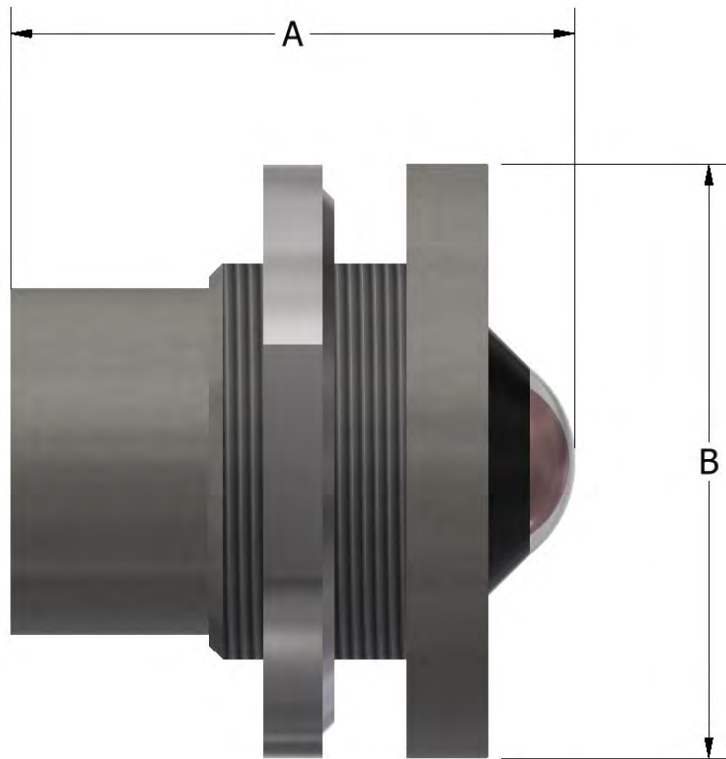
1209 DISTRIBUTORS ROW
 NEW ORLEANS, LA 70123

OPERATION

The Ruelco Status Indicator is designed to give positive indication of a pneumatic control signal. When pneumatic pressure is applied to the status indicator, the viewable window will indicate green. When the pneumatic signal is removed, the indicator will show red. Its simple and compact design makes maintenance and repair easy. The status indicator does not have to be removed from the control panel or system loop if repair or maintenance is necessary.

FEATURES

- Stainless steel construction N.A.C.E. model available)
- All soft seal design
- Small compact design
- Simple operation allows for easy repair



STATUS INDICATOR

DIMENSIONS

A	1.70" (43.18 mm)
B	1.50" (38.1 mm)
CONNECTION SIZE	1/8" FNPT

PHONE: 504-340-0055
FAX: 504-340-0056
EMAIL: SALES@RUELCO.COM

1209 DISTRIBUTORS ROW
NEW ORLEANS, LA 70123

PARTS LIST

ITEM	QUANTITY	DESCRIPTION	MATERIAL
1	1	INDICATOR	PLASTIC
2	1	PANEL NUT	316 ST. STL.
3	1	KNOB	316 ST. STL.
4*	1	BASE SEAL	FLUOROCARBON

* INDICATES ITEMS IN THE REPAIR KIT

SPECIFICATIONS

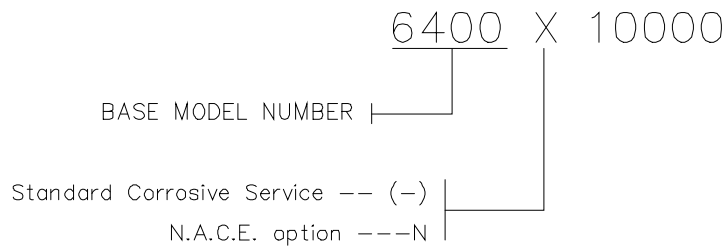
MAXIMUM WORKING PRESSURE	125 PSI (8.6 BAR)
ABIENT TEMPERATURE RANGE	-20 TO 250 F -.29 TO 122 C

REPAIR KIT

- 64-002-000

OTHER TEMPERATURE RANGES AND SEAL COMPOUNDS AVAILABLE UPON REQUEST

ORDERING CODE



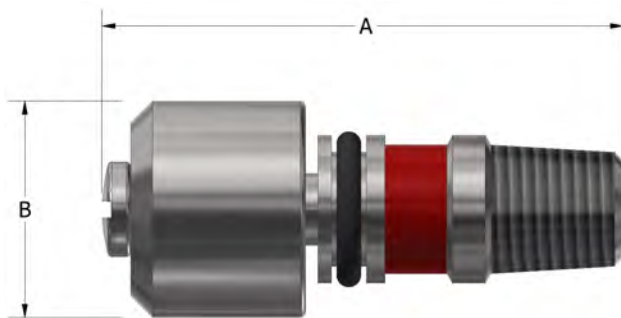
STATUS INDICATOR

PHONE: 504-340-0055
 FAX: 504-340-0056
 EMAIL: SALES@RUELCO.COM

1209 DISTRIBUTORS ROW
 NEW ORLEANS, LA 70123

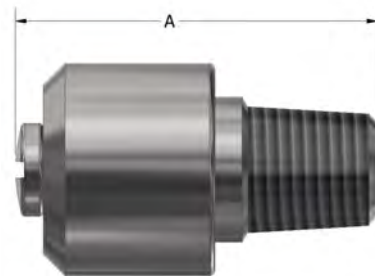
OPERATION

The Ruelco Pneumatic Tattletale Indicator is a unique device to provide indication when production control or safety system sensors and control devices trip. The tattletale is designed to be installed in the exhaust port of a pneumatic control devices and sensors. When these sensors or control devices trip, the pneumatic pressure venting through the exhaust port will cause the cap of the tattletale to pop out. This exposes a red indicator band giving visual indication that the device has tripped. First out indication of several sensors can be obtained by using the tattletale in conjunction with a pneumatic relay. Often this eliminates the need for an expensive control panel.



FEATURES

- 316 stainless steel construction
- O-rings used for dependability
- Small size and rugged construction
- Does not affect operation of the device it is installed in
- Trip indication highly visible
- No indicator BOUNCE
- Can eliminate the need for expensive control panel



DIMENSIONS

	1/4" NPT MODEL	1/8" NPT MODEL
A (CLOSED)	1.31" (33.3 mm)	1.05" (36.7 mm)
A (OPEN)	1.81" (46.0 mm)	1.45" (36.8 mm)
B	.75" (19.1 mm)	.615" (15.6 mm)
WEIGHT	1.5 oz (42.6 grams)	1.1 oz (31.2 grams)

PNEUMATIC TATTLETALE

PHONE: 504-340-0055
 FAX: 504-340-0056
 EMAIL: SALES@RUELCO.COM

1209 DISTRIBUTORS ROW
 NEW ORLEANS, LA 70123

PARTS LIST

ITEM	QUANTITY	DESCRIPTION	MATERIAL
1	1	LOCK WASHER	316 ST. STL.
2	1	MACHINE SCREW	316 ST. STL.
3	1	CAP	316 ST. STL.
4*	1	BODY SEAL	FLUOROCARBON
5	1	STEM	316 ST. STL.
6	1	BODY	316 ST. STL.

*Indicates item(s) contained in the Repair Kit

SPECIFICATIONS

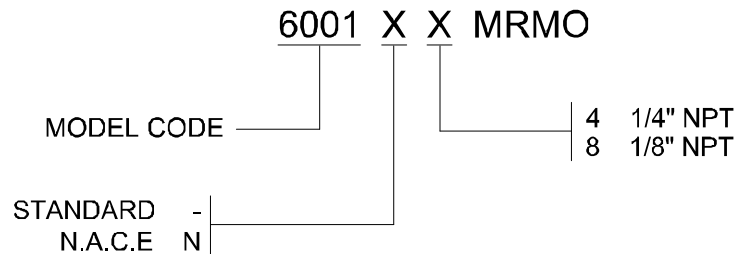
MAXIMUM EXHAUST PRESSURE	150 PSI (10.3 BAR)
AMBIENT TEMPERATURE RANGE	-20 TO 250 DEG F -29 TO 122 DEG C
Cv FACTOR	.4 (1/4" NPT MODEL) .3 (1/8" NPT MODEL)
MINIMUM PRESSURE AND FLOW RATE TO OPERATE	2 PSI @ 1 SCFM

REPAIR KIT

- 60-005-000 - 1/4" NPT MODEL
- 60-014-000 - 1/8" NPT MODEL

OTHER TEMPERATURE RANGES AND SEAL COMPOUNDS AVAILABLE UPON REQUEST

ORDER CODE

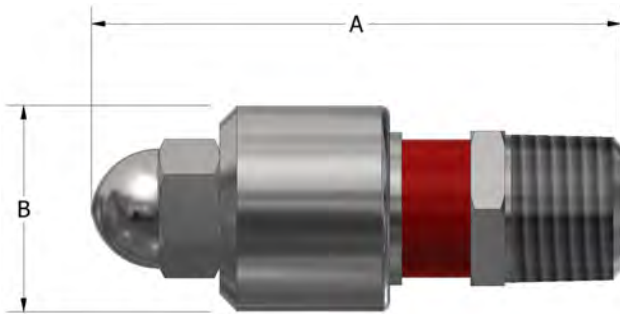


PHONE: 504-340-0055
FAX: 504-340-0056
EMAIL: SALES@RUELCO.COM

1209 DISTRIBUTORS ROW
NEW ORLEANS, LA 70123

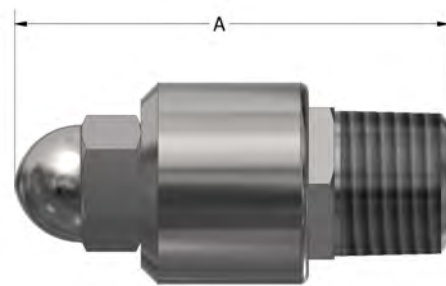
OPERATION

The Ruelco Hydraulic Tattletale Indicator is a unique device which provides indication when a hydraulic sensor or control component operates. The tattletale is designed to be installed in the return line near the exhaust port of a hydraulic control devices. When these sensor or control device operates, the pressure in the return line will cause the cap of the tattletale to pop out. This exposes a red indicator band giving visual indication that the device has operated.



FEATURES

- 316 stainless steel construction
- O-rings used for dependability
- Small size and rugged construction
- Does not affect operation of the device it is installed in
- Trip indication highly visible
- No indicator BOUNCE
- Can eliminate the need for expensive control panel



DIMENSIONS

A (CLOSED)	1.42" (36.1 mm)
A (OPEN)	1.72" (43.7 mm)
B	.75" (19.1 mm)
CONNECTION PORT	1/4" MNPT
WEIGHT	1.7 OZ (48.3 gm)

HYDRAULIC TATTLETALE

PHONE: 504-340-0055
FAX: 504-340-0056
EMAIL: SALES@RUELCO.COM

1209 DISTRIBUTORS ROW
NEW ORLEANS, LA 70123

PARTS LIST

ITEM	QUANTITY	DESCRIPTION	MATERIAL
1	1	ACORN NUT	316 ST. STL.
2	1	CAP	316 ST. STL.
3*	1	O-RING (CUT)	FLUOROCARBON
4	1	STEM	316 ST. STL.
5*	1	STEM SEAL	FLUOROCARBON
6	1	BODY	316 ST. STL.

*Indicates item(s) contained in the Repair Kit

SPECIFICATIONS

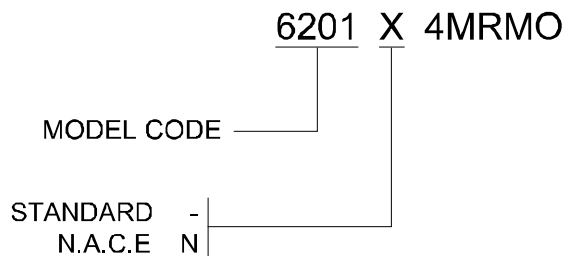
MAXIMUM WORKING PRESSURE	6,000 PSI (414 BAR)
AMBIENT TEMPERATURE RANGE	-20 TO 250 °F -29 TO 122 °C
MINIMUM PRESSURE AND FLOW RATE TO OPERATE	10 PSI (.7 BAR) @ 1 SCFM

REPAIR KIT

- 62-005-0A0

OTHER TEMPERATURE RANGES AND SEAL COMPOUNDS AVAILABLE UPON REQUEST

ORDER CODE



PHONE: 504-340-0055
FAX: 504-340-0056
EMAIL: SALES@RUELCO.COM

1209 DISTRIBUTORS ROW
NEW ORLEANS, LA 70123

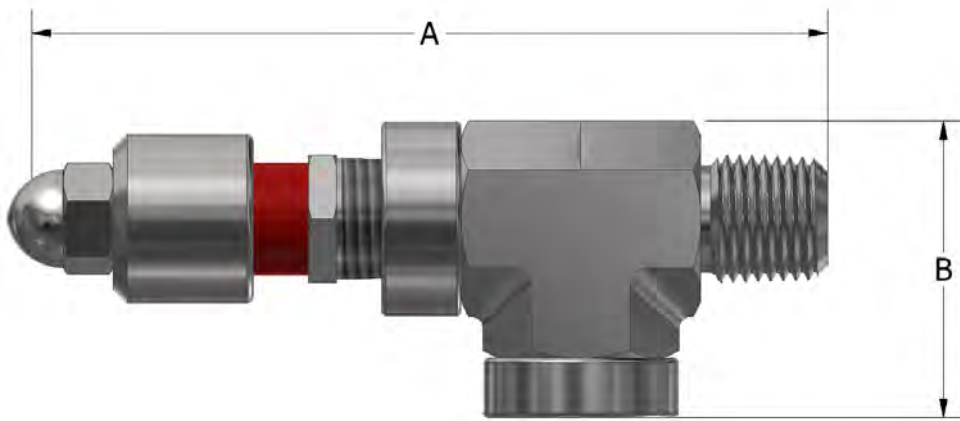
HYDRAULIC TATTLETALE

OPERATION

The Ruelco 3-way Hydraulic Tattletale Indicator is a unique device which provides indication when a hydraulic sensor or control component operates. The tattletale is designed to be installed in the return line near the exhaust port of a hydraulic control devices. When these sensor or control device operates, the pressure in the return line will cause the cap of the tattletale to pop out. This exposes a red indicator band giving visual indication that the device has operated.

FEATURES

- 316 stainless steel construction
- O-rings used for dependability
- Small size and rugged construction
- Does not affect operation of the device it is installed in
- Trip indication highly visible
- No indicator BOUNCE
- Can eliminate the need for expensive control panel



DIMENSIONS

A (CLOSED)	3.42" (86.9 mm)
A (OPEN)	3.77" (95.7 mm)
B	.75" (19.1 mm)
INLET CONNECTION PORT	1/4" MNPT
VENT CONNECTION PORT	1/4" FNPT
WEIGHT	4.9 oz. (140 gm)

PHONE: 504-340-0055
 FAX: 504-340-0056
 EMAIL: SALES@RUELCO.COM

1209 DISTRIBUTORS ROW
 NEW ORLEANS, LA 70123

PARTS LIST

ITEM	QUANTITY	DESCRIPTION	MATERIAL
1	1	ACORN NUT	316 ST. STL.
2	1	CAP	316 ST. STL.
3	1	TEE	316 ST. STL.
4	1	3-WAY STEM	316 ST. STL.
5*	2	STEM SEAL	FLUOROCARBON
6	1	BODY	316 ST. STL.

*Indicates item(s) contained in the Repair Kit

SPECIFICATIONS

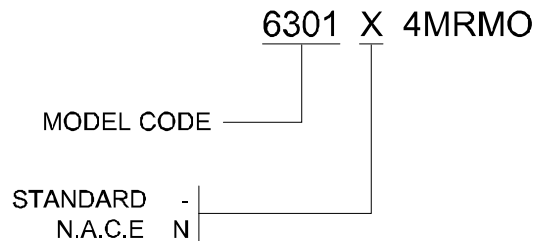
MAXIMUM WORKING PRESSURE	2,000 PSI (138 BAR)
AMBIENT TEMPERATURE RANGE	-20 TO 250 °F -29 TO 122 °C
MINIMUM PRESSURE AND FLOW RATE TO OPERATE	10 PSI (.7 BAR) @ 1 SCFM

REPAIR KIT

- 63-005-000

OTHER TEMPERATURE RANGES AND SEAL COMPOUNDS AVAILABLE UPON REQUEST

ORDER CODE

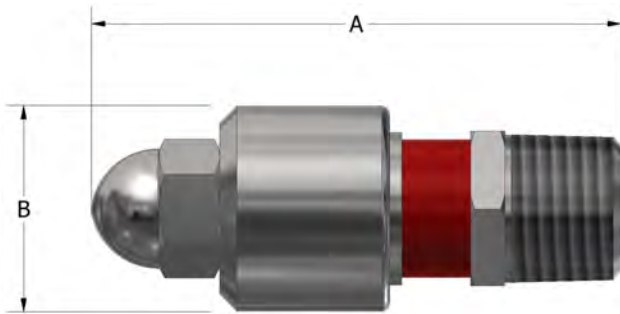


PHONE: 504-340-0055
 FAX: 504-340-0056
 EMAIL: SALES@RUELCO.COM

1209 DISTRIBUTORS ROW
 NEW ORLEANS, LA 70123

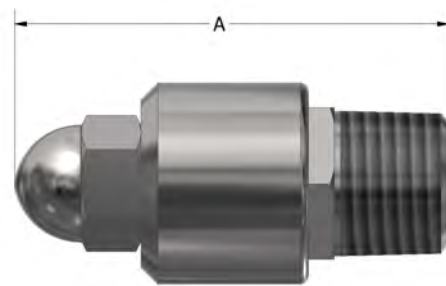
OPERATION

The Ruelco Automatic Reset Tattletale Indicator is a unique device which provides indication when a hydraulic sensor or control component operates. The tattletale can be installed into any circuit where a pressure signal will be present and positive indication is desired. Upon detecting any pressure above 60 psi the cap of the tattletale will pop out exposing a red indicator band giving visual indication that the device has operated. When the pressure drops back below 40 psi, the cap will close, indicating a pressure loss.



FEATURES

- 316 stainless steel construction
- O-rings used for dependability
- Small size and rugged construction
- Does not affect operation of the device it is installed in
- Trip indication highly visible
- No indicator BOUNCE
- Can eliminate the need for expensive control panel



DIMENSIONS

A (CLOSED)	1.42" (36.1 mm)
A (OPEN)	1.72" (43.7 mm)
B	.75" (19.1 mm)
CONNECTION PORT	1/4" MNPT
WEIGHT	1.7 OZ (48.3 gm)

AUTOMATIC RESET TATTLETALE

PHONE: 504-340-0055
FAX: 504-340-0056
EMAIL: SALES@RUELCO.COM

1209 DISTRIBUTORS ROW
NEW ORLEANS, LA 70123

PARTS LIST

ITEM	QUANTITY	DESCRIPTION	MATERIAL
1	1	ACORN NUT	316 ST. STL.
2	1	CAP	316 ST. STL.
3*	1	O-RING (CUT)	FLUOROCARBON
4	1	STEM	316 ST. STL.
5*	1	STEM SEAL	FLUOROCARBON
6	1	BODY	316 ST. STL.
7	1	SPRING	ST. STL.

*Indicates item(s) contained in the Repair Kit

SPECIFICATIONS

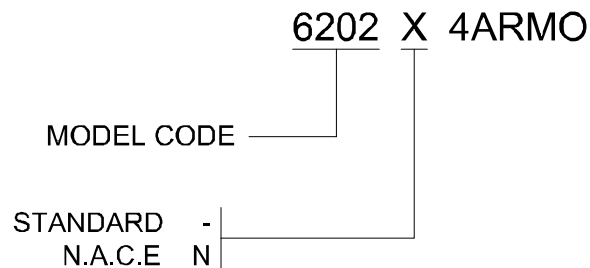
MAXIMUM WORKING PRESSURE	6,000 PSI (414 BAR)
AMBIENT TEMPERATURE RANGE	-20 TO 250 °F -29 TO 122 °C
MINIMUM PRESSURE TO OPERATE	60 PSI (4.14 BAR)

REPAIR KIT

- 62-005-0A0

OTHER TEMPERATURE RANGES AND SEAL COMPOUNDS AVAILABLE UPON REQUEST

ORDER CODE



PHONE: 504-340-0055
FAX: 504-340-0056
EMAIL: SALES@RUELCO.COM

1209 DISTRIBUTORS ROW
NEW ORLEANS, LA 70123

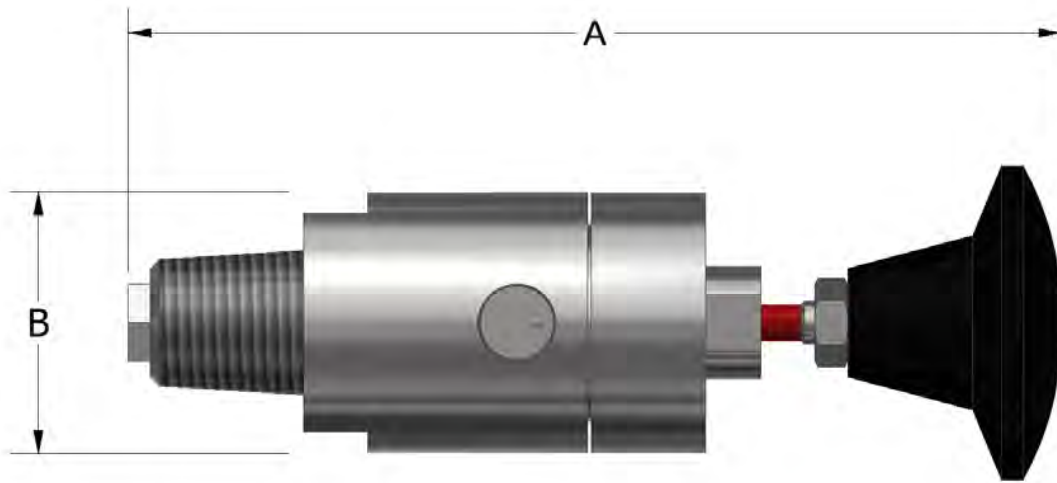
AUTOMATIC RESET TATTLETALE

OPERATION

The Ruelco standard VC-2 Velocity Check Valve is a 2-way, 2 position control valve. It is ideal for line break or process upset detection when using pipeline process pressure to operate an actuated valve. The valve is designed to operate with liquid or gas process fluids with pressures ranging from 100 to 10,000 psi. The valve incorporates a unique soft seal design to ensure zero leakage while also providing visual trip indication. Flow line pressure must be removed in order to properly reset the valve by pushing on the knob.

FEATURES

- 316 stainless steel construction
- Will operate with flowline pressures as low as 100 psi
- Viton O-rings are utilized for dependability
- Soft seal design ensures zero leakage
- Red band on shaft provides positive indication that the velocity check valve has operated
- May be used in pneumatic or hydraulic systems



DIMENSIONS

A (OPEN / CLOSED)	5.02" / 5.25" (127.5 / 133.4 mm)
B	1.50" (38.1 mm)
INLET PORT SIZE	1/2" MNPT
OUTLET PORT SIZE	1/4" FNPT
WEIGHT	1.3 LBS (.6 Kg)

VELOCITY CHECK VALVE

PHONE: 504-340-0055
FAX: 504-340-0056
EMAIL: SALES@RUELCO.COM

1209 DISTRIBUTORS ROW
NEW ORLEANS, LA 70123

PARTS LIST

ITEM	QUANTITY	DESCRIPTION	MATERIAL
1A	1	BLACK KNOB	PHENOLIC
1B	-	RED KNOB	PHENOLIC
1C	-	GREEN KNOB	PHENOLIC
2	1	LOCK NUT	316 ST. STL.
3	1	CAP	316 ST. STL.
4	1	SLEEVE	316 ST. STL.
5*	1	UPPER SEAL	FLUOROCARBON
6*	1	SHAFT SEAL	FLUOROCARBON
7	1	SHAFT	316 ST. STL.
8	1	BODY	316 ST. STL.
9*	1	LOWER SEAL	FLUOROCARBON
10	1	PUSH ROD	316 ST. STL.
11*	1	SEAL	FLUOROCARBON
12	1	BALL	316 ST. STL.
13	1	RETAINER SCREW	316 ST. STL.

* INDICATES ITEMS IN THE REPAIR KIT

SPECIFICATIONS

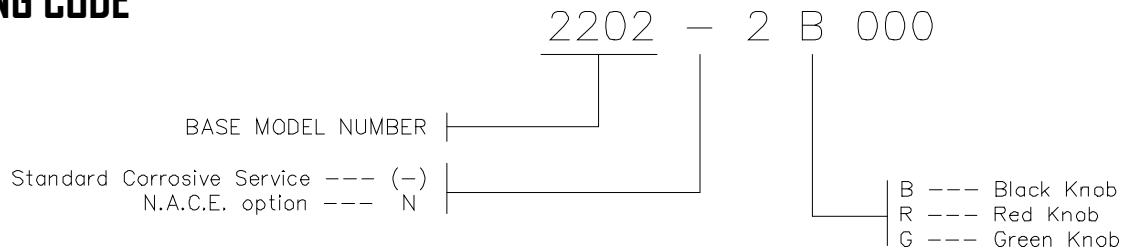
MAXIMUM WORKING PRESSURE	10,000 PSI (690 BAR)
VALVE OPERATION RANGE	100 PSI (6.7 BAR) 10,000 PSI (690 BAR)
AMBIENT TEMPERATURE RANGE	-20° TO 250° F -20° TO 122° C

REPAIR KIT

- 22-016-000

OTHER TEMPERATURE RANGES AND SEAL COMPOUNDS AVAILABLE UPON REQUEST

ORDERING CODE



PHONE: 504-340-0055
FAX: 504-340-0056
EMAIL: SALES@RUELCO.COM

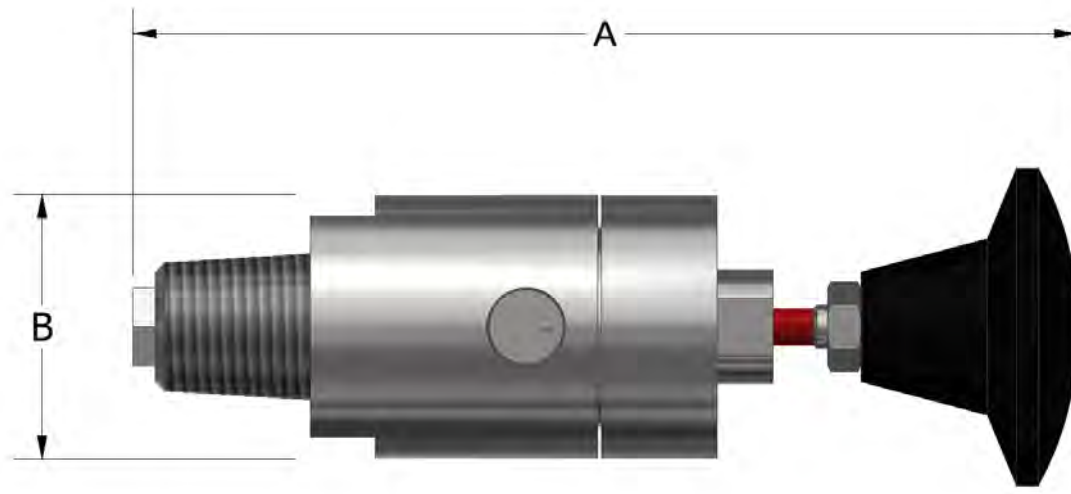
1209 DISTRIBUTORS ROW
NEW ORLEANS, LA 70123

OPERATION

The Ruelco VC-2 Velocity Check Valve with the automatic return spring is a 2-way, 2 position control valve. It is ideal for line break or process upset detection when using pipeline process pressure to operate an actuated valve. The valve is designed to operate with liquid or gas process fluids with pressures ranging from 100 to 10,000 psi. The valve incorporates a unique soft seal design to ensure zero leakage while also providing visual trip indication. Flow line pressure must be removed in order to properly reset the valve by pushing on the knob.

FEATURES

- 316 stainless steel construction
- Will operate with flowline pressures as low as 100 psi
- Viton O-rings are utilized for dependability
- Soft seal design ensures zero leakage
- Red band on shaft provides positive indication that the velocity check valve has operated
- May be used in pneumatic or hydraulic systems



DIMENSIONS

A (OPEN / CLOSED)	5.02" / 5.25" (127.5 / 133.4 mm)
B	1.50" (38.1 mm)
INLET PORT SIZE	1/2" MNPT
OUTLET PORT SIZE	1/4" FNPT
WEIGHT	1.3 LBS (.6 Kg)

PHONE: 504-340-0055
 FAX: 504-340-0056
 EMAIL: SALES@RUELCO.COM

1209 DISTRIBUTORS ROW
 NEW ORLEANS, LA 70123

VELOCITY CHECK VALVE AUTO RETURN

PARTS LIST

ITEM	QUANTITY	DESCRIPTION	MATERIAL
1	1	BLACK KNOB	PHENOLIC
2	1	LOCK NUT	316 ST. STL.
3	1	CAP	316 ST. STL.
4	1	SLEEVE	316 ST. STL.
5*	1	UPPER SEAL	FLUOROCARBON
6*	1	SHAFT SEAL	FLUOROCARBON
7	1	SHAFT	316 ST. STL.
8	1	BODY	316 ST. STL.
9*	1	LOWER SEAL	FLUOROCARBON
10	1	PUSH ROD	316 ST. STL.
11*`	1	SEAL	PEEK
12	1	BALL	TUNGSTEN CARBIDE
13	1	RETAINER SCREW	316 ST. STL.
14	1	AUTOMATIC RETURN SPRING	316 ST. STL.

* INDICATES ITEMS IN THE REPAIR KIT

SPECIFICATIONS

MAXIMUM WORKING PRESSURE	10,000 PSI (690 BAR)
VALVE OPERATION RANGE	100 PSI (6.7 BAR)
	10,000 PSI (690 BAR)
AMBIENT TEMPERATURE RANGE	-20° TO 250° F
	-20° TO 122° C

REPAIR KIT

- 22-016-000

OTHER TEMPERATURE RANGES AND SEAL COMPOUNDS AVAILABLE UPON REQUEST

ORDERING CODE

2202SA0003

BASE MODEL NUMBER

PHONE: 504-340-0055
 FAX: 504-340-0056
 EMAIL: SALES@RUELCO.COM

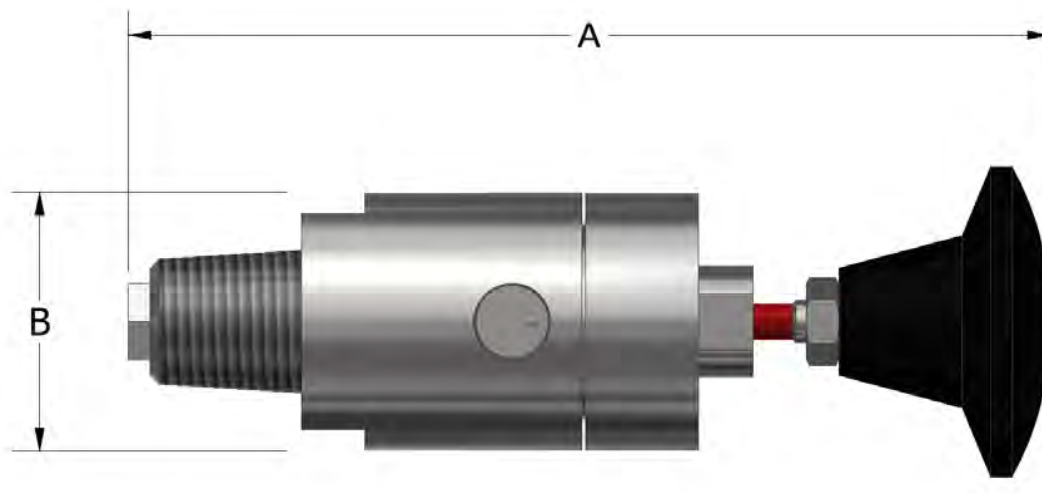
1209 DISTRIBUTORS ROW
 NEW ORLEANS, LA 70123

OPERATION

The Ruelco Manual Reset VC-2 Velocity Check Valve is a 2-way, 2 position control valve. It is ideal for line break or process upset detection when using pipeline process pressure to operate an actuated valve. The valve is designed to operate with liquid or gas process fluids with pressures ranging from 100 to 10,000 psi. The valve incorporates a unique soft seal design to ensure zero leakage while also providing visual trip indication. Designed with a special PEEK seat, the velocity check valve can be manually reset with full flow line pressure present at the inlet.

FEATURES

- 316 stainless steel construction
- Will operate with flowline pressures as low as 100 psi
- Viton O-rings are utilized for dependability
- Soft seal design ensures zero leakage
- Red band on shaft provides positive indication that the velocity check valve has operated
- May be used in pneumatic or hydraulic systems



DIMENSIONS

A (OPEN / CLOSED)	5.02" / 5.25" (127.5 / 133.4 mm)
B	1.50" (38.1 mm)
INLET PORT SIZE	1/2" MNPT
OUTLET PORT SIZE	1/4" FNPT
WEIGHT	1.3 LBS (.6 Kg)

PHONE: 504-340-0055
 FAX: 504-340-0056
 EMAIL: SALES@RUELCO.COM

1209 DISTRIBUTORS ROW
 NEW ORLEANS, LA 70123

PARTS LIST

ITEM	QUANTITY	DESCRIPTION	MATERIAL
1A	1	BLACK KNOB	PHENOLIC
1B	-	RED KNOB	PHENOLIC
1C	-	GREEN KNOB	PHENOLIC
2	1	LOCK NUT	316 ST. STL.
3	1	CAP	316 ST. STL.
4	1	SLEEVE	316 ST. STL.
5*	1	UPPER SEAL	FLUOROCARBON
6*	1	SHAFT SEAL	FLUOROCARBON
7	1	SHAFT	316 ST. STL.
8	1	BODY	316 ST. STL.
9*	1	LOWER SEAL	FLUOROCARBON
10	1	PUSH ROD	316 ST. STL.
11*	1	SEAL	PEEK
12	1	BALL	316 ST. STL.
13	1	RETAINER SCREW	316 ST. STL.

* INDICATES ITEMS IN THE REPAIR KIT

SPECIFICATIONS

MAXIMUM WORKING PRESSURE	10,000 PSI (690 BAR)
VALVE OPERATION RANGE	100 PSI (6.7 BAR) 10,000 PSI (690 BAR)
AMBIENT TEMPERATURE RANGE	-20° TO 250° F -20° TO 122° C

REPAIR KIT

- 22-019-000

OTHER TEMPERATURE RANGES AND SEAL COMPOUNDS AVAILABLE UPON REQUEST

ORDERING CODE

2202SA0008

BASE MODEL NUMBER

PHONE: 504-340-0055
 FAX: 504-340-0056
 EMAIL: SALES@RUELCO.COM

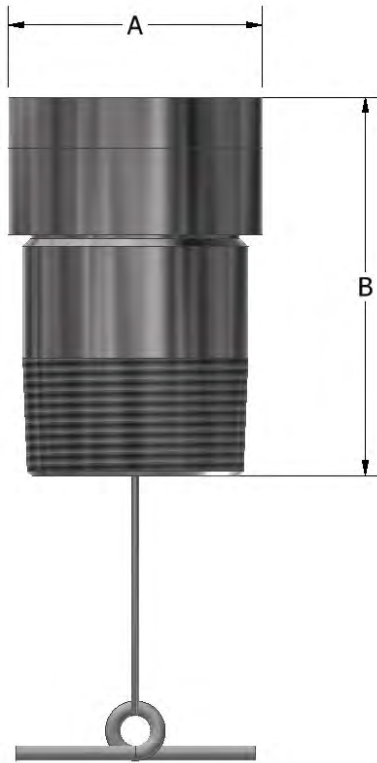
1209 DISTRIBUTORS ROW
 NEW ORLEANS, LA 70123

OPERATION

The Ruelco Vent/ Fill Cap is a pressure relieving cap designed to vent pressure due to entrapped gases in a hydraulic reservoir through a spring loaded cover. Under normal conditions, the cover prevents rain, dust or other contaminants from entering into the hydraulic reservoir. When hydraulic fluid is returned to the reservoir, the cap will spring open, allowing the fluid to safely enter without the risk of tank pressurization.

FEATURES

- 316 stainless steel construction (models to N.A.C.E. MR0175 available)
- Small compact design
- Stainless steel cord prevents the cap from being lost when being used to fill the tank



VENT/
FILL
CAP

DIMENSIONS

NPT SIZE	A	B	OPENING DIAMETER
3/4"	1.50" (38.1 mm)	2.125" (53.98 mm)	.820" (20.83 mm)
1"	1.50" (38.1 mm)	1.850" (46.99 mm)	1.00" (25.4 mm)
1-1/2"	2.125" (53.98 mm)	3.150" (80 mm)	1.50" (38.1 mm)

PHONE: 504-340-0055
FAX: 504-340-0056
EMAIL: SALES@RUELCO.COM

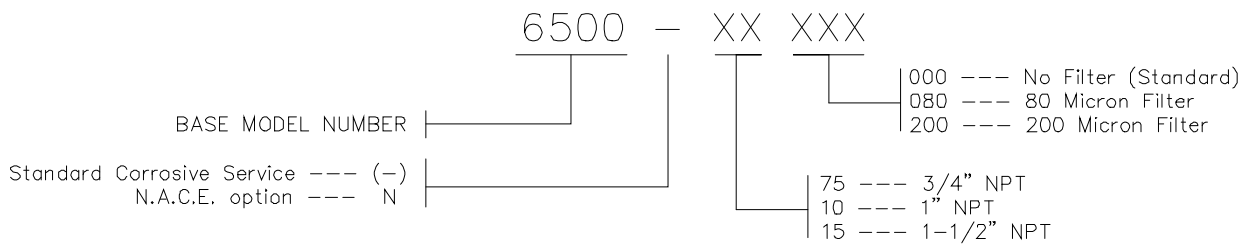
1209 DISTRIBUTORS ROW
NEW ORLEANS, LA 70123

PARTS LIST

ITEM	QUANTITY	DESCRIPTION	MATERIAL
1	1	COVER	316 ST. STL.
2	1	CAP	316 ST. STL.
3	1	SPRING	INCONEL
4	1	BOLT	316 ST. STL.
5	1	BODY	316 ST. STL.
6	1	TWISTED WIRE (STANDARD MODEL)	316 ST. STL.
7	1	MICRON FILTER (FILTER MODEL ONLY)	316 ST. STL.
8	1	O-RING (FILTER MODEL ONLY)	NITRILE
9	1	SNAP RING (FILTER MODEL ONLY)	316 ST. STL.

VENT/FILL GAP

ORDERING CODE

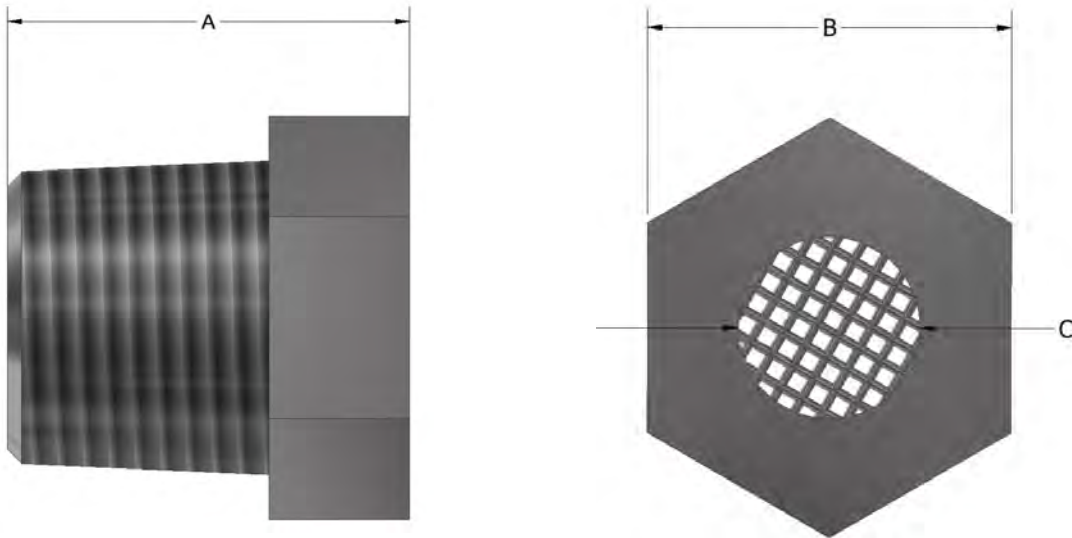


PHONE: 504-340-0055
 FAX: 504-340-0056
 EMAIL: SALES@RUELCO.COM

1209 DISTRIBUTORS ROW
 NEW ORLEANS, LA 70123

OPERATION

The Ruelco Vent Screen is manufactured with an all stainless steel construction and is used to prevent debris or insects from blocking the vent port of pneumatic valves. The Ruelco vent screen is available in four standard NPT sizes.



VENT SCREEN

DIMENSION

NPT SIZE	A	B	C
1/8"	.550" (13.97 mm)	.435" (11.05 mm)	.187" (4.75 mm)
1/4"	.770" (19.56 mm)	.563" (14.30 mm)	.281" (7.14 mm)
3/8"	.860" (21.84 mm)	.745" (18.92 mm)	.375" (9.53 mm)
1/2"	1.10" (27.984 mm)	.875" (22.23 mm)	.438" (11.12 mm)

ORDERING

91 - 0XX - XXX

1/8" MNPT --- 01
 1/4" MNPT --- 02
 3/8" MNPT --- 03
 1/2" MNPT --- 04

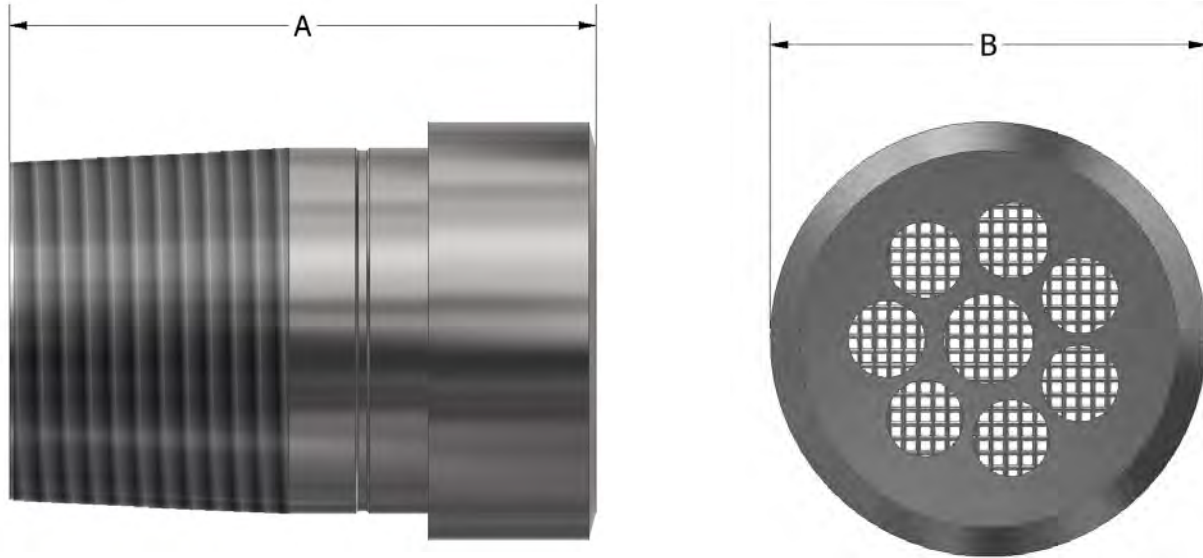
000 -- 316 ST. STL.
 002 -- INCONEL 625
 003 -- MONEL
 009 -- 6 MO

PHONE: 504-340-0055
 FAX: 504-340-0056
 EMAIL: SALES@RUELCO.COM

1209 DISTRIBUTORS ROW
 NEW ORLEANS, LA 70123

OPERATION

The Ruelco Large Vent Screen is a three part assembly manufactured with an all stainless steel construction and is used to prevent debris or insects from blocking the vent port of pneumatic valves. These vent screens can withstand pressures up to 200 psi while still providing the necessary flow rates required to quickly shut down large pneumatic actuator valves.



LARGE VENT SCREEN

DIMENSION

NPT SIZE	A	B	MAXIMUM FLOW RATE
1"	2.00" (50.8 mm)	1.50" (38.1 mm)	3.6 SCFM
1-1/2"	2.74" (69.6 mm)	2.125" (53.9 mm)	10.4 SCFM
2"	2.74" (69.6 mm)	2.44" (61.9 mm)	16.5 SCFM

ORDERING CODE

91 - 0XX - 080

1" MNPT --- 10
 1-1/2" MNPT --- 15
 2" MNPT --- 20

PHONE: 504-340-0055
 FAX: 504-340-0056
 EMAIL: SALES@RUELCO.COM

1209 DISTRIBUTORS ROW
 NEW ORLEANS, LA 70123