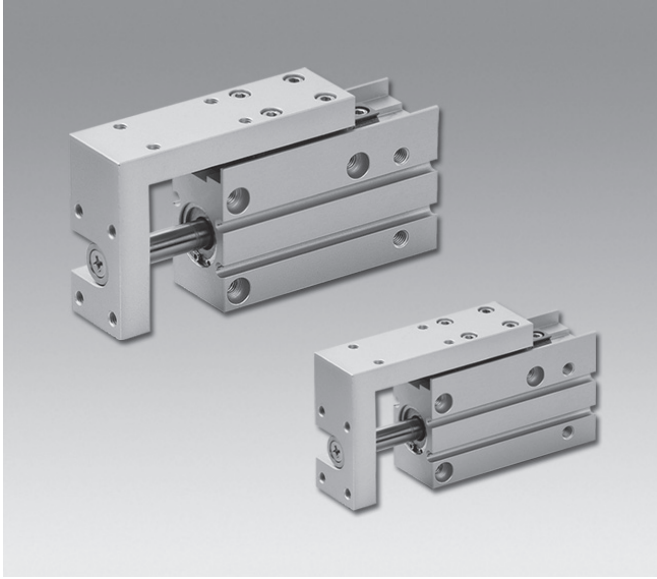


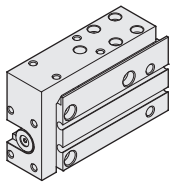
MQX series

Compact slide cylinder

CHELIC PNEUMATIC



MQX series provide **CAD** external dimension.



MQX series ----- Compact Slide Cylinder ----- $\varnothing 6 \sim \varnothing 20$ ----- P.13-4.1

MSR(L)
Slide Table
Cylinder

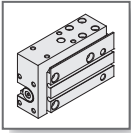
FMR(L)
Slide Table
Cylinder

MDX
Slide Table
Cylinder

MDXL
Slide Table
Cylinder

MQX
Compact
Slide
Cylinder

A large grid of graph paper for writing, consisting of 20 columns and 30 rows of small squares. The grid is empty and occupies the majority of the page below the header.

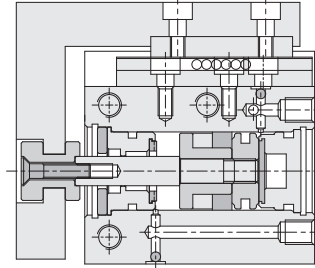
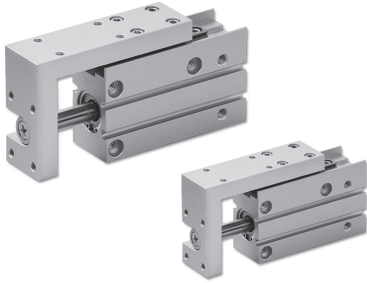


MQX series - COMPACT SLIDE CYLINDER

Operating specification and Ordering expression

CHELIC PNEUMATIC

Internal structure



Specification

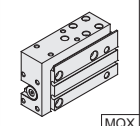
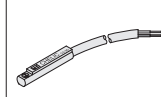
Unit : mm

Item	Bore size	Ø6	Ø10	Ø16	Ø20
Operation		Double acting			
Fluid		Air			
Mounting type		Horizontal mounting ; Slide mounting ; Vertical mounting			
Pressure range	kgf/cm ² (kpa)	1.5 ~ 7 (150 ~ 700)			
Operating ambient temperature range	°C	0 ~ 60			
Range of service speed	mm / sec	100 ~ 500			
Body material		Aluminum alloy			
Cushion		Rubber washer			
Lubrication		Lubrication free			
Port size		M5 × 0.8P			
Sensing device		With magnet			

Cylinder bore size and Stroke

Bore size (mm)	Standard stroke
Ø6	5、10、15、20、25、30、40、50、60
Ø10	5、10、15、20、25、30、40、50、60
Ø16	5、10、15、20、25、30、40、50、60
Ø20	5、10、15、20、25、30、40、50、60

How to order

<div style="border: 1px solid black; border-radius: 15px; padding: 5px; width: 60px; margin: 0 auto;">MQX</div> <div style="border: 1px solid black; border-radius: 15px; padding: 5px; width: 60px; margin: 0 auto;">20</div> <div style="font-size: 24px; margin: 0 10px;">×</div> <div style="border: 1px solid black; border-radius: 15px; padding: 5px; width: 60px; margin: 0 auto;">30</div> <div style="font-size: 24px; margin: 0 10px;">-</div> <div style="border: 1px solid black; border-radius: 15px; padding: 5px; width: 60px; margin: 0 auto;">SD</div> <div style="border: 1px solid black; border-radius: 15px; padding: 5px; width: 60px; margin: 0 auto;">2</div>			
<div style="border: 1px solid black; padding: 5px; width: 60px; margin: 0 auto;">Model</div>	<div style="border: 1px solid black; padding: 5px; width: 60px; margin: 0 auto;">Bore size</div>	<div style="border: 1px solid black; padding: 5px; width: 60px; margin: 0 auto;">Stroke</div>	<div style="border: 1px solid black; padding: 5px; width: 60px; margin: 0 auto;">Sensor switch</div>
	<p>6 - Ø6 mm 10 - Ø10 mm 16 - Ø16 mm 20 - Ø20 mm</p>	<p>Ø 6 - 5 ~ 60 mm Ø10 - 5 ~ 60 mm Ø16 - 5 ~ 60 mm Ø20 - 5 ~ 60 mm</p>	

MQX :
Standard
Double acting cylinder

None : Without sensor
SD : Sensor code (CS-9D)
SB : Sensor code (CS-9B)
2 : Number of sensor
 1 = 1 PCS
 2 = 2 PCS
 (option)

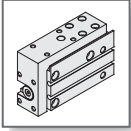
MSR(L)
Slide Table
Cylinder

FMR(L)
Slide Table
Cylinder

MDX
Slide Table
Cylinder

MDXL
Slide Table
Cylinder

MQX
Compact
Slide
Cylinder

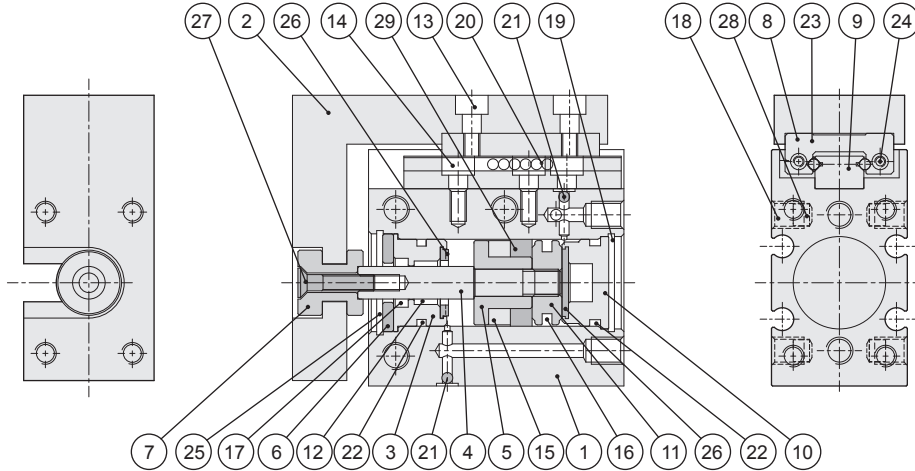


MQX series - COMPACT SLIDE CYLINDER

Components and Material list

CHELIC PNEUMATIC

Internal structure



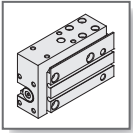
Components and Material list

No.	Item	Material	No.	Item	Material
01	Body	Aluminum alloy	16	Piston packing	NBR
02	Plate	Aluminum alloy	17	Rod packing	NBR
03	Front cover	Aluminum alloy	18	Screw	Alloy steel
04	Rod	Stainless steel	19	End cover snap	Alloy steel
05	Wear base	Aluminum alloy	20	Roller	Bearing steel
06	Packing plate	Aluminum alloy	21	Steel ball	Stainless steel
07	Rod connector	Aluminum alloy	22	O-ring	NBR
08	Slide base	Stainless steel	23	Black	Stainless steel
09	Slide rail	Stainless steel	24	Screw	Stainless steel
10	End cover	Aluminum alloy	25	Snap	Alloy steel
11	Piston	Stainless steel	26	Cushion rubber lining	NBR
12	Drymet	Teflon	27	Screw	Alloy steel
13	Plate mounting screw	Alloy steel	28	Packing	NBR
14	Plate mounting screw	Alloy steel	29	Wear	Teflon
15	Magnet	Plastic			

Packing and O-Ring

Unit : mm

Item	Piston packing	Rod packing	Front /End cover O-ring
Number	1	1	2
Bore size			
Ø6	MYA-3 (2pcs)	MYA-4	5 × 1.0
Ø10	MYA-7 (2pcs)	MYA-6	8 × 1.5
Ø16	COP-16	EM-6	13.2 × 1.5
Ø20	COP-20	EM-10	17.5 × 2.0

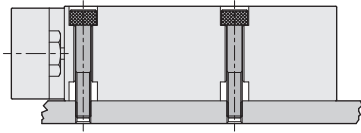


MQX series - COMPACT SLIDE CYLINDER

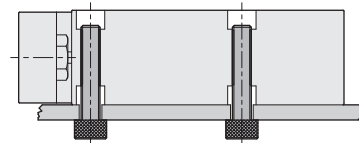
Mounting type

CHELIC PNEUMATIC

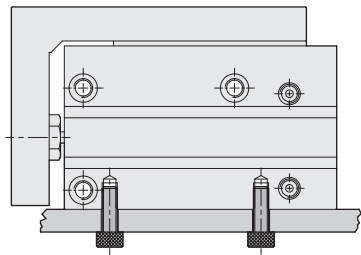
► Mounting type



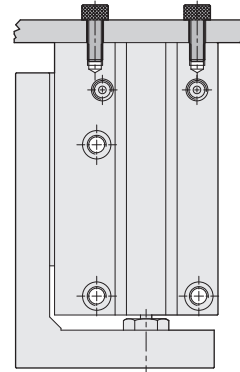
● Slide mounting



● Slide mounting



● Base mounting



● Base mounting

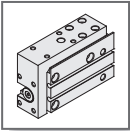
MSR(L)
Slide Table
Cylinder

FMR(L)
Slide Table
Cylinder

MDX
Slide Table
Cylinder

MDXL
Slide Table
Cylinder

MQX
Compact
Slide
Cylinder



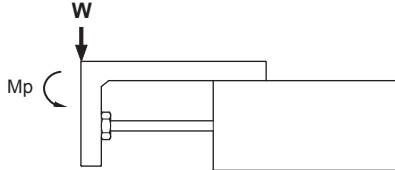
MQX series - COMPACT SLIDE CYLINDER

Design and Installation reference

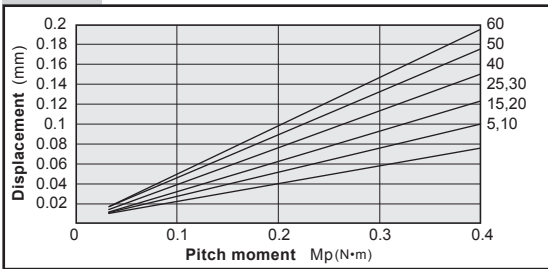
CHELIC PNEUMATIC

Slide base displacement due to pitch moment load

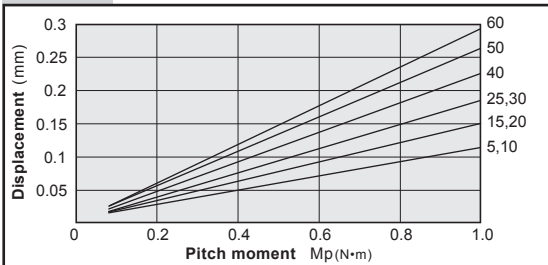
- Slide base displacement when a load acts upon the section marked with the arrow at the full stroke of the compact side (outer)



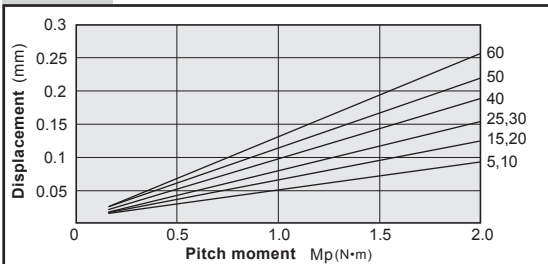
MQX Ø6



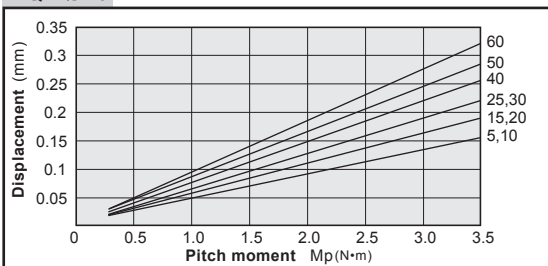
MQX Ø10



MQX Ø16



MQX Ø20

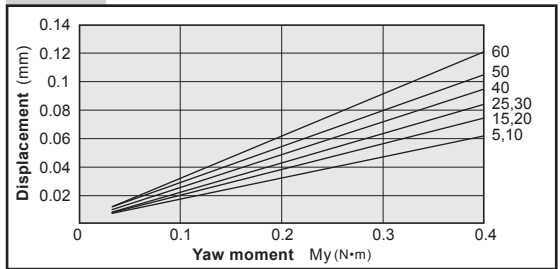


Slide base displacement due to yaw moment load

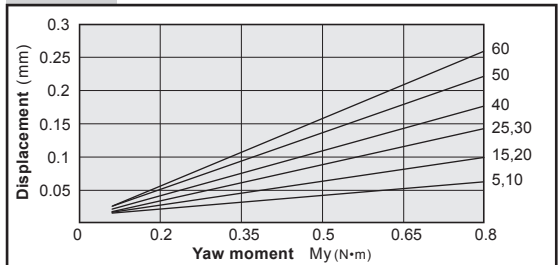
- Slide base displacement when a load acts upon the section marked with the arrow at the full stroke of the compact side (outer)



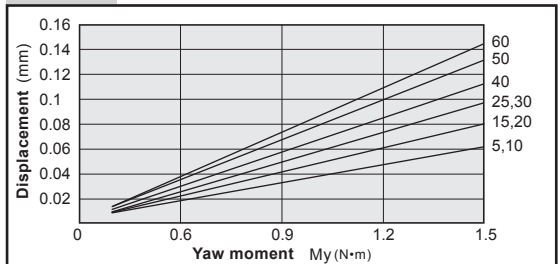
MQX Ø6



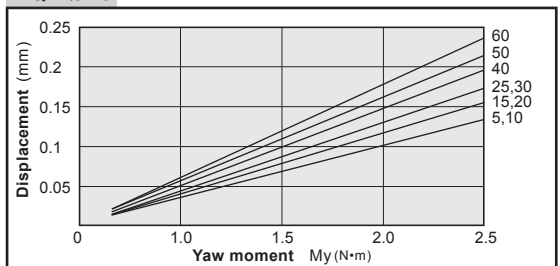
MQX Ø10

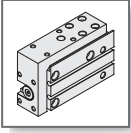


MQX Ø16



MQX Ø20





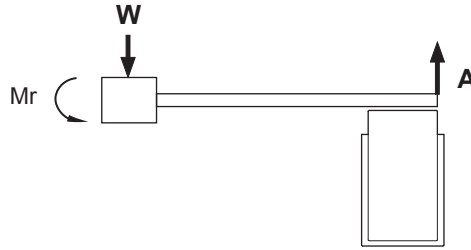
MQX series - COMPACT SLIDE CYLINDER

Design and Installation reference

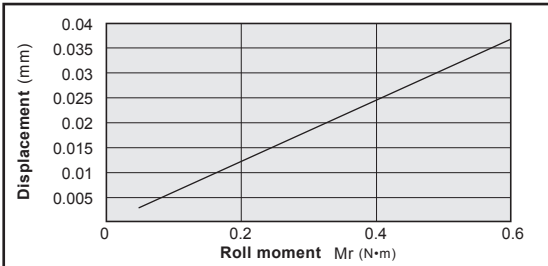
CHELIC PNEUMATIC

Slide base displacement due to roll moment load.

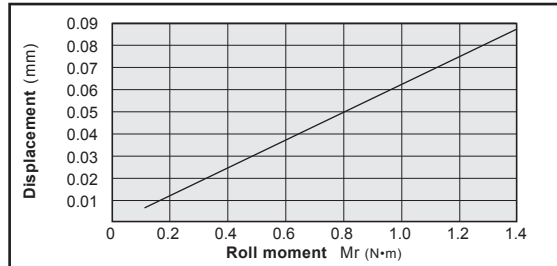
- Slide base displacement when load acts upon section W at the full stroke of the compact slide.



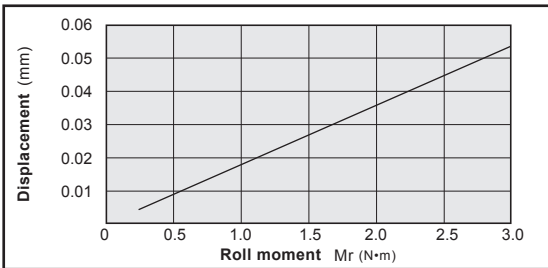
MQX Ø6



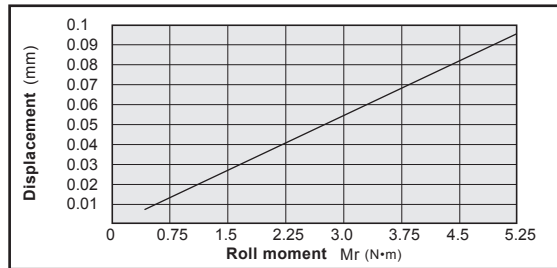
MQX Ø10



MQX Ø16



MQX Ø20



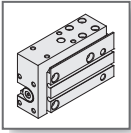
MSR(L)
Slide Table
Cylinder

FMR(L)
Slide Table
Cylinder

MDX
Slide Table
Cylinder

MDXL
Slide Table
Cylinder

MQX
Compact
Slide
Cylinder

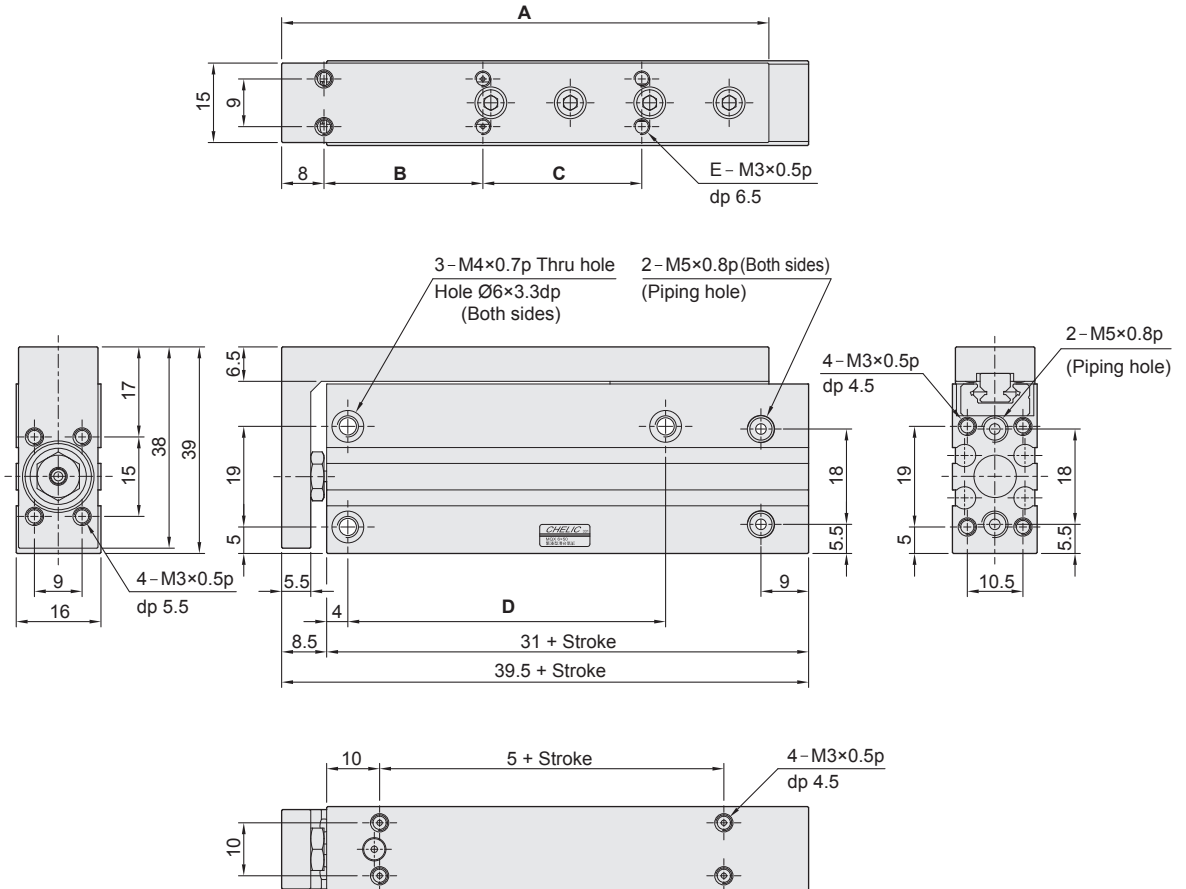
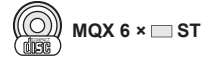


MQX series - COMPACT SLIDE CYLINDER

External dimension

CHELIC PNEUMATIC

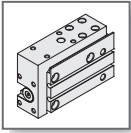
☉ MQX Ø6 ×



☉ Dimension

Unit : mm

Stroke	Code	A	B	C	D	E
5		42	10	—	14	4
10		42	10	—	14	4
15		52	20	—	24	4
20		52	20	—	24	4
25		62	30	—	30	4
30		62	30	—	30	4
40		72	20	20	45	6
50		82	25	25	55	6
60		92	30	30	60	6



MQX series - COMPACT SLIDE CYLINDER

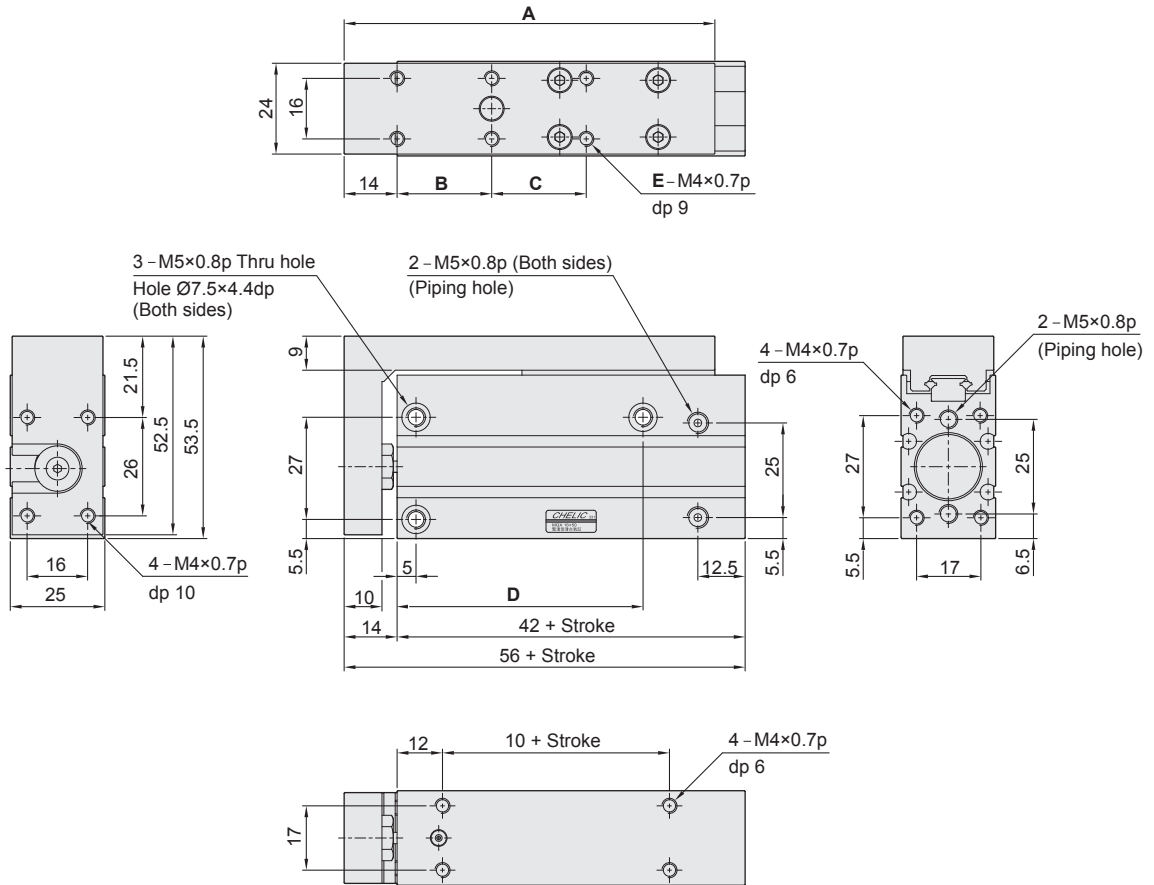
External dimension

CHELIC PNEUMATIC

MQX Ø16 ×



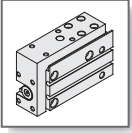
MQX 16 × ST



Dimension

Unit : mm

Stroke	Code	A	B	C	D	E
5		58	10	—	20	4
10		58	10	—	20	4
15		68	20	—	30	4
20		68	20	—	30	4
25		78	30	—	40	4
30		78	30	—	40	4
40		88	20	20	50	6
50		98	25	25	60	6
60		108	30	30	60	6



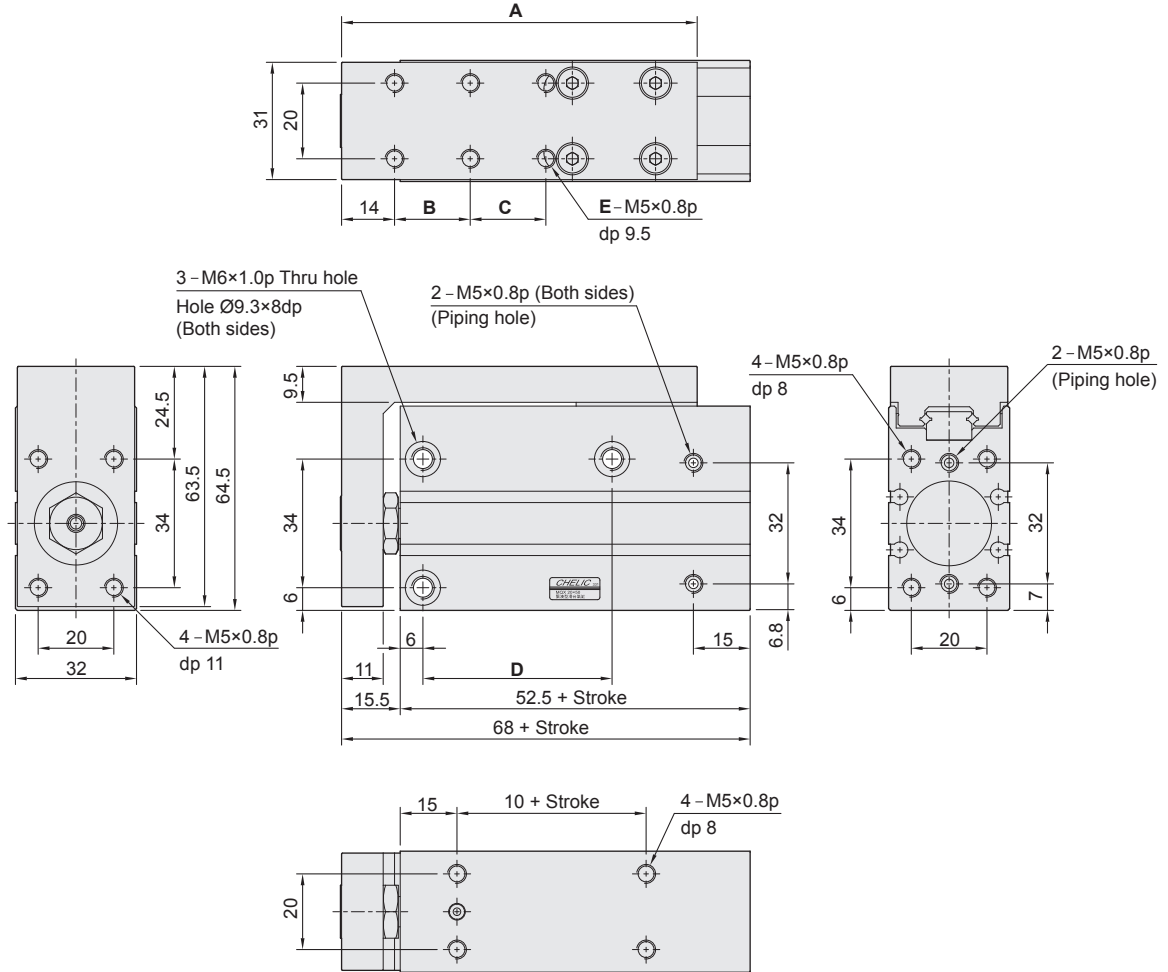
MQX series - COMPACT SLIDE CYLINDER

External dimension

CHELIC PNEUMATIC

MQX Ø20 ×

 MQX 20 × ST



Dimension

Unit : mm

Stroke	Code	A	B	C	D	E
5		64	10	—	20	4
10		64	10	—	20	4
15		74	20	—	25	4
20		74	20	—	25	4
25		84	30	—	40	4
30		84	30	—	40	4
40		94	20	20	50	6
50		104	25	25	70	6
60		114	30	30	70	6

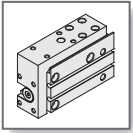
MSR(L)
Slide Table
Cylinder

FMR(L)
Slide Table
Cylinder

MDX
Slide Table
Cylinder

MDXL
Slide Table
Cylinder

MQX
Compact
Slide
Cylinder

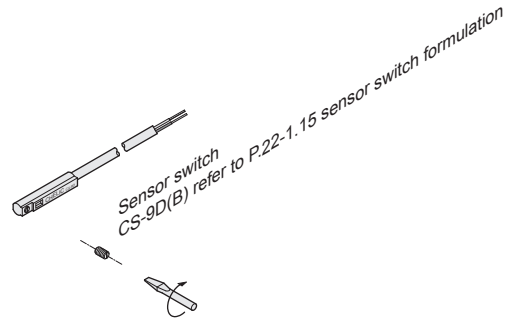
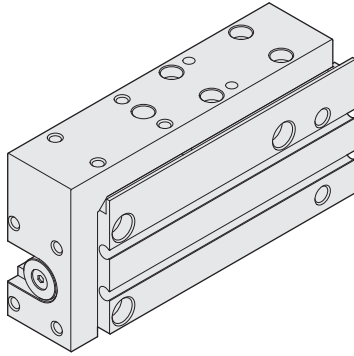


MQX series - COMPACT SLIDE CYLINDER

Sensor switch installation and Sensing setting

CHELIC PNEUMATIC

◉ Sensor switch mounting type



◉ Operating range

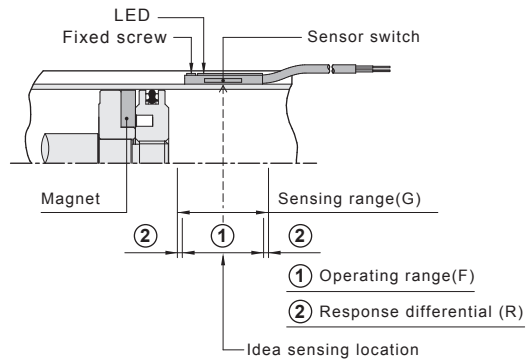
Sensor switch is fixed on the cylinder body. The magnetic piston head will activate the Sensor switch when it enters the operating range. It has 0.5mm differential.

◉ Setting range

When piston head moves the switch setting and adjustment will be based on the responding range generated by the magnetic field and the switch. (Please refer to the below table)

◉ Sensor switch setting and operating range

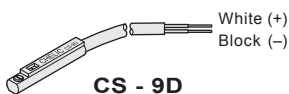
● CS - 9D (B)



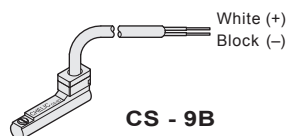
Unit : mm

Model	CS-9D(B)	
Bore size	Operating range (F)	Response differential(R)
Ø6	5	1
Ø10	5	1
Ø16	5	1
Ø20	8	1

◉ Connector type



Voltage : DC 5 ~ 120 V
AC 5 ~ 120 V



Voltage : DC 5 ~ 120 V
AC 5 ~ 120 V