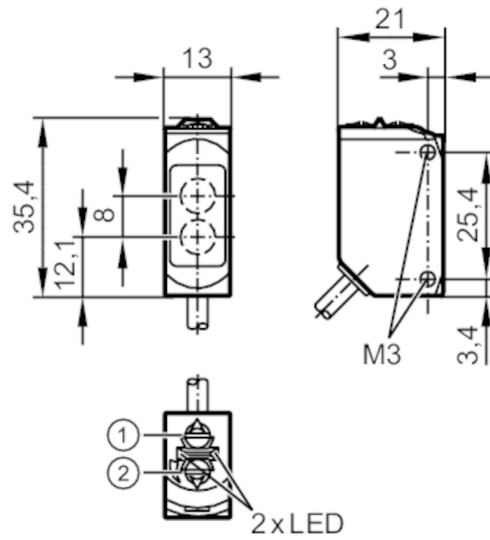


O6T217



Diffuse reflection sensor

O6TIFNKG



- 1: output function switch
 - 2: potentiometer sensitivity
- Receiver in upper lens
transmitter in lower lens



Product characteristics

Type of light	Infrared light
Housing	rectangular

Application

Function principle	Diffuse reflection sensor
--------------------	---------------------------

Electrical data

Operating voltage	[V]	10...30 DC
Current consumption	[mA]	16; ((24 V))
Protection class		III
Reverse polarity protection		yes
Type of light		Infrared light
Wave length	[nm]	850

Outputs

Electrical design		NPN
Output function		light-on/dark-on mode; (selectable)
Max. voltage drop switching output DC	[V]	2.5
Permanent current rating of switching output DC	[mA]	100
Switching frequency DC	[Hz]	1000
Short-circuit protection		yes
Type of short-circuit protection		yes (non-latching)

O6T217



Diffuse reflection sensor

O6TIFNKG

Monitoring range		
Range	[mm]	5...600; (white paper 200 x 200 mm 90 % remission)
Range adjustable		yes
Max. light spot diameter	[mm]	24
Light spot dimensions refer to		at maximum range
Monitoring range final value	[mm]	100...600
Operating conditions		
Ambient temperature	[°C]	-25...60
Protection		IP 65; IP 67
Tests / approvals		
EMC		EN 60947-5-2
Mechanical data		
Weight	[g]	60
Housing		rectangular
Dimensions	[mm]	35.4 x 13 x 21
Material		housing: ABS; PPSU
Lens material		PMMA
Lens alignment		Side sensing
Tightening torque	[Nm]	0.5
Displays / operating elements		
Display	Switching status	1 x LED, yellow
	Power	1 x LED, green
Remarks		
Pack quantity		1 pcs.

O6T217



Diffuse reflection sensor

O6TIFNKG

Electrical connection

Cable: 2 m, PUR; 3 x 0.25 mm²

Connection



Core colors :

BK = black
BN = brown
BU = blue

Diagrams and graphs

excess gain graph

