

Technical Data

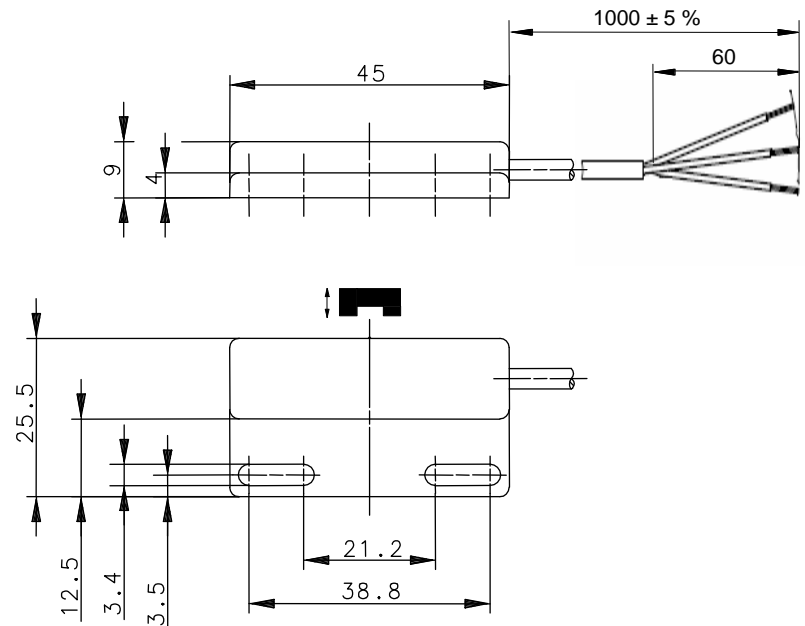
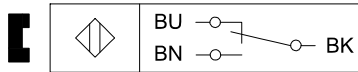
Magnetic switch

Series MA-44

Type designation **MAK-4513-L-1**

Item number **6316345540**

Wiring diagram



Identifying characteristics in accordance with EN 60947-5-1 and EN 62246-1

Electrical data

Assured operating distance	S_a	5 mm
Switching element function		change over
Reed contact:		
max. switching voltage		250 V
max. switching current		1 A
max. switching capacity		60 VA
min. switching capacity		3 VA
mechanical lifetime		3×10^8 switchings, however, according to load resetability
Repeat accuracy	R	$\pm 0,1$ mm
Max. Release point		under same geometrical conditions at the same temperature
Shock		20 mm
Vibration		10 g (11 ms, $\frac{1}{2}$ Sinevawe)
Corresponding magnet		15 g (50-2000 Hz)
		TK-45

Mechanical data

Enclosure	PA 6.6, black; encapsulated reed contact
Ambient air temperature	-5 °C ... +70 °C
Type of protection	IP67 (NEMA 4) according to IEC 529, EN 60529
Termination type	cable 3 x 0,34 mm ² , PVC -outer jacket black
Assembly position	optional (assembly on iron means reduction of switch distance)

EU Conformity

acc. to Directive 2006 / 95 / EC

Pay attention to the contact protection when switching inductive loads.

This document will not become the contractual basis; the details included herein do not constitute any descriptions of expected conditions, so that warranties/claims for defects on account of possible variations of the actual from the here described condition are excluded. Subject to modifications and amendments.

Date of issue: 10.08.2012 / Page 1 of 1
Document: 6316345540_en.doc / Last update: 1 / 0297-12