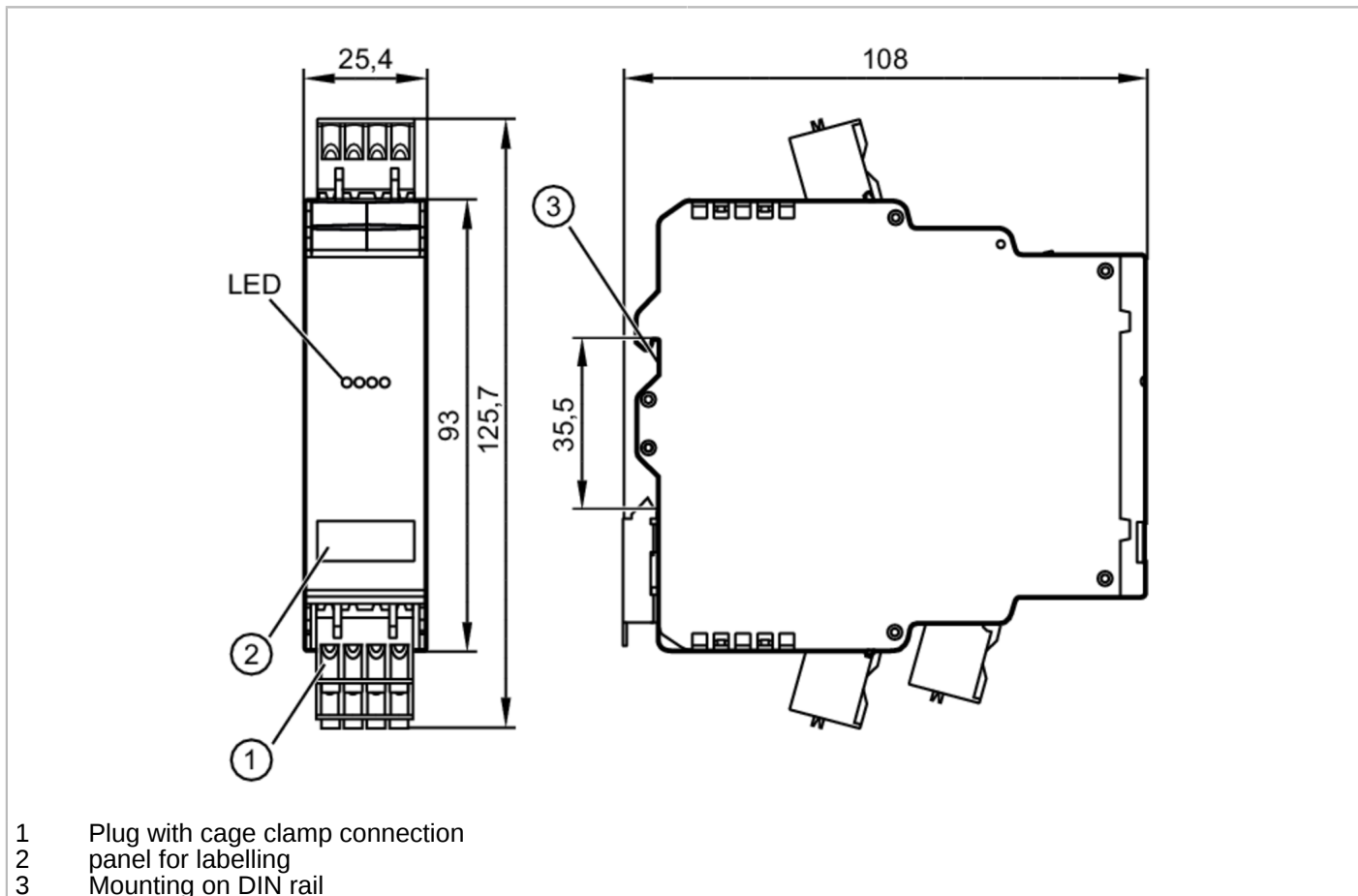


AC3226



AS-Interface repeater

SmartL25 AS-i Repeater III



Application	
Application	Extension of the AS-i network by another 100 m
Electrical data	
Nominal voltage DC [V]	26.5...31.6
Max. current consumption from AS-i [mA]	60; (per AS-i line)
Outputs	
Electrical design	AS-i
Electrically separated	yes
Operating conditions	
Ambient temperature [°C]	-25...70
Note on ambient temperature	cULus: ... 65 °C
Storage temperature [°C]	-30...80
Max. relative air humidity [%]	90; (non condensing)
Max. height above sea level [m]	2000
Protection	IP 20

AC3226



AS-Interface repeater

SmartL25 AS-i Repeater III

Tests / approvals		
EMC	EN 62026-2	
	Ta	-25...70 °C
UL approval	Enclosure type	IP20
	voltage supply	Low Voltage / Limited Energy
	File number UL	E205959
AS-i classification		
AS-i certificate pending		yes
Mechanical data		
Weight [g]		171
Housing		Mounting on DIN rail
Material		PA 6.6
Displays / operating elements		
Display	Power	2x LED, green
	Function	LED, yellow
Accessories		
Accessories (supplied)		Combicon connector
		Link for bus termination
Remarks		
Pack quantity		1 pcs.

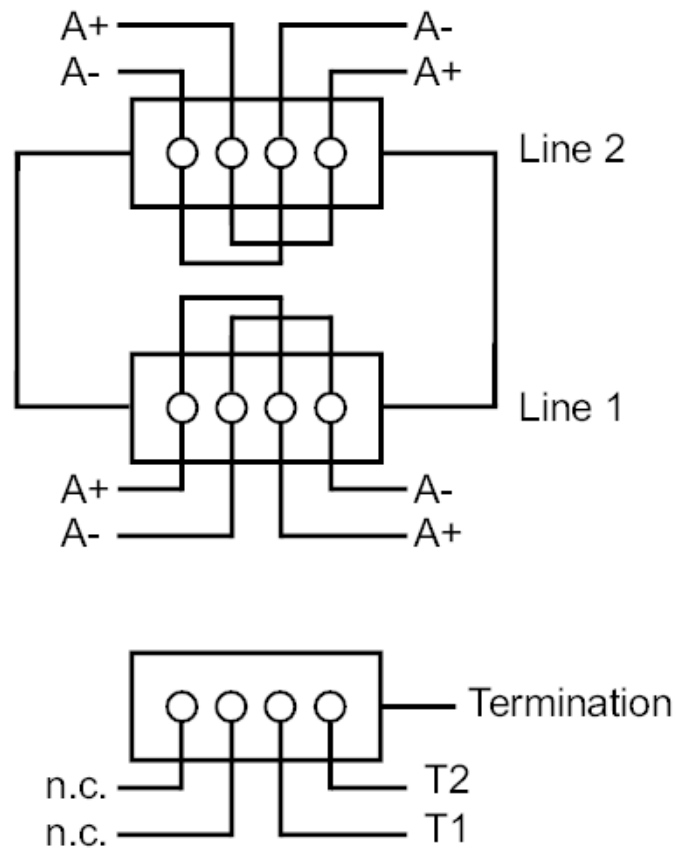


AS-Interface repeater

SmartL25 AS-i Repeater III

Electrical connection

Connection



	outgoing AS-i cable
A2-	AS-i - line 2
A2+	AS-i + line 2
A2-	AS-i - line 2
A2+	AS-i + line 2
	incoming AS-i cable
A1+	AS-i + line 1
A1-	AS-i - line 1
A1+	AS-i + line 1
A1-	AS-i - line 1
T1	Link for bus termination
T2	Link for bus termination