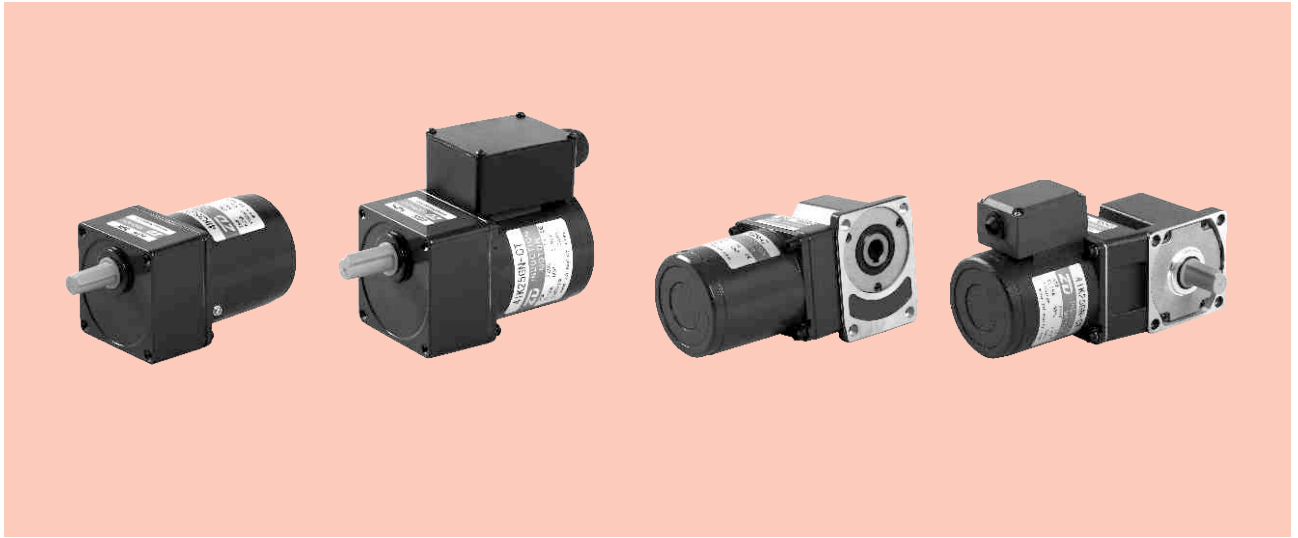


# INDUCTION MOTORS

■ 25W □ 80mm



## Technical Data

All data assumes Continuous Duty

型号 Model · 类型 Type 上段:齿轮轴 Upper:Pinion Shaft 下段()内:圆轴 Below:Round Shaft		输出功率 Output power W	电压 Voltage V	频率 Frequency Hz	电流 Current A	启动转矩 Starting Torque mN.m	额定转矩 Rated Torque mN.m	额定转速 Rated Speed r/min	电容器容量 Capacitor μF
导线型 Lead Wire Type 外形图Dimensions①	带端子箱型 Terminal Box Type 外形图Dimensions②								
4IK25GN-A (4IK25A-A)	4IK25GN-AT (4IK25A-AT)	25	1ph 100	50	0.50	120	200	1250	8.0
				60	0.55		165	1550	
4IK25GN-E (4IK25A-E)	4IK25GN-ET (4IK25A-ET)	25	1ph 110	60	0.45	120	165	1550	7.0
			1ph 120		0.50				
4IK25GN-C (4IK25A-C)	4IK25GN-CT (4IK25A-CT)	25	1ph 220	50	0.25	120	200	1250	1.8
			1ph 230		0.23				
4IK25GN-H (4IK25A-H)	4IK25GN-HT (4IK25A-HT)	25	1ph 220	60	0.23	120	165	1550	-
			1ph 230						
4IK25GN-S (4IK25A-S)	4IK25GN-ST (4IK25A-ST)	25	3ph 220	50	0.185	350	200	1250	-
				60	0.170	250	165	1550	

●各种安全规格以电动机铭牌上的型号名取得认证。

When the motor is approved under various safety standards, the model name on the nameplate is the approved model name.

●注：“-A”型号中电压为110V时，配置电容器容量以实际铭牌为准。

Note:“-A” it means the voltage 110v,the assembly capacitor vaule it is according the labe.

## 种类 Type

● 电动机 Motor

机型 Type	型号 Model	
	齿轮轴型 Pinion Shaft	圆轴型 Round Shaft
导线型 Lead Wire Type	4IK25GN-A	4IK25A-A
	4IK25GN-E	4IK25A-E
	4IK25GN-C	4IK25A-C
	4IK25GN-H	4IK25A-H
	4IK25GN-S	4IK25A-S
带端子箱型 Terminal Box Type	4IK25GN-AT	4IK25A-AT
	4IK25GN-ET	4IK25A-ET
	4IK25GN-CT	4IK25A-CT
	4IK25GN-HT	4IK25A-HT
	4IK25GN-ST	4IK25A-ST

● 平行轴减速器 (另售) Parallel Shaft Gearhead (Sold Separately)

减速器种类 Gearhead Type	减速器型号 Gearhead Model	减速比 Gear Ratio
长寿命●低噪音 Long Life ● Low Noise	4GN□K	3、3.6、5、6、7.5、9、12.5、15、18、25、30、36、50、60、75、90、100、120、150、180、200
	4GN10XK (中间减速器 Decimal Gearhead)	

●减速器型号的□中为减速比的数值

Enter the gear ratio in the box ( □ ) within the model name

## ■ 装有减速器时的容许转矩 Gear Motor-Torque Table

- 减速器另售·中间减速器另售。电动机型号的□中为表示带端子箱型的记号(T)。  
Gearhead and mid-gearbox can be sold separately. Enter the code that represents the terminal box type (T) in the box (□) within the model name.
- 减速品型号的□中为减速比的数值。  
Enter the gear ratio in the box(□) within the model name.
- □色表示与电动机同一方向运转，其他则为相反方向。  
The colored background □ indicates the same rotating direction of the motor while the rotating direction of others are opposite.
- 转速是以电动机的同步转速（50Hz：1500r/min、60Hz：1800r/min）为基准除以减速比而算出来的数值。实际转速将随负载大小变化所示数值减少2%~20%左右。  
The speed is calculated by dividing the motor's synchronous speed(50Hz：1500r/min、60Hz：1800r/min) by the gear ratio. The actual speed is 2%~20% less than the displayed value, depending on the size of the load.
- 希望以大于下表的减速比进行进一步减速时，可在电动机与减速机之间安装减速比为10的中间减速机。这时的容许转矩为8N·m。  
To reduce the speed beyond the gear ratio in the table, attach a decimal gearhead(gear ratio:10)between the gearhead and motor. In that case, the permissible torque is 8 N·m.

## ■ 容许力矩单位 Allowance Torque Unit：上段 Upside ( N.m ) /下段 Belowside ( kgf.cm )

类型 Type 电动机/减速机 Motor/Gearhead	减速比 Gear Ratio		3	3.6	5	6	7.5	9	12.5	15	18	25	30	36	50	60	75	90	100	120	150	180	200		
	转速 Speed r/min	50Hz	60Hz	500	417	300	250	200	166	120	100	83	60	50	41	30	25	20	16	15	12.5	10	8.3	7.5	
4K25GN-A□ 4K25GN-E□ 4K25GN-C□ 4K25GN-H□ 4K25GN-S□	4GN□K	50Hz	0.49	0.58	0.81	0.97	1.2	1.5	2.0	2.4	2.9	3.7	4.4	5.3	6.6	7.9	8	8	8	8	8	8	8	8	
			5.00	5.91	8.26	9.89	12.2	15.3	20.4	24.4	29.6	37.7	44.9	54.1	67.3	80	80	80	80	80	80	80	80	80	
		60Hz	0.40	0.48	0.67	0.80	1.0	1.2	1.7	2.0	2.4	3.0	3.6	4.3	5.4	6.5	8	8	8	8	8	8	8	8	8
			4.08	4.89	6.83	8.16	10.2	12.2	17.3	20.4	24.4	30.6	36.7	43.8	55.1	66.3	80	80	80	80	80	80	80	80	80

## ■ 容许悬挂负载·容许轴向负载 To Allow The Hoisting Of The Load Allow Axial Load

电动机(圆轴型)→272页 Motor(Round Shaft)→P272  
减速机→272页 Gearhead→P272

## ■ 减速机的容许负载惯性惯量 J Permissible Load Inertia J For Gearhead

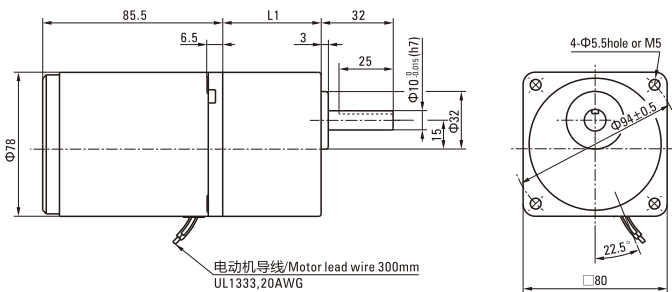
→272页→P272

## ■ 外形图(单位 mm) Dimensions(Unit mm)

减速机附有安装用螺丝 Mounting screws are included with gearhead.

### ● 导线型 Lead Wiring Type ①

重量 Weight：电动机 Motor：1.6kg 减速机 Gearhead：0.80kg



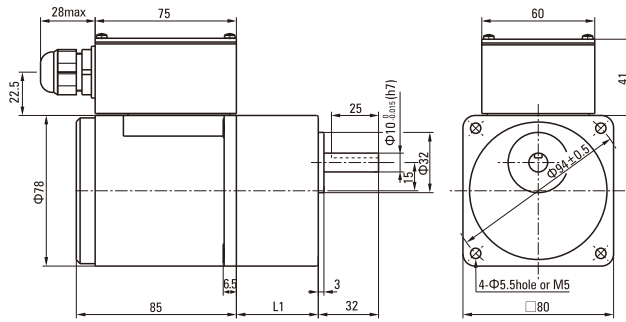
电动机型号 Motor Model	减速机型号 Gearhead Model	减速比 Gear Ratio	L1
4K25GN-A 4K25GN-E 4K25GN-C	4GN□K	3~18	32
4K25GN-H 4K25GN-S		25~200	43.5

- 减速机型号的□中为减速比的数值  
Enter the gear ratio in the box (□) within the model name

● 带端子箱型 Terminal Box Type ②

重量 Weight : 电动机 Motor : 1.75kg

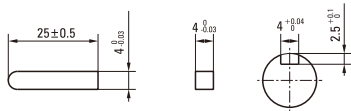
减速器 Gearhead : 0.8kg



电动机型号 Motor Model	减速器型号 Gearhead Model	减速比 Gear Ratio	L1
4IK25GN-AT 4IK25GN-ET 4IK25GN-CT 4IK25GN-HT 4IK25GN-ST	4GN□K	3~18	32
		25~200	43.5

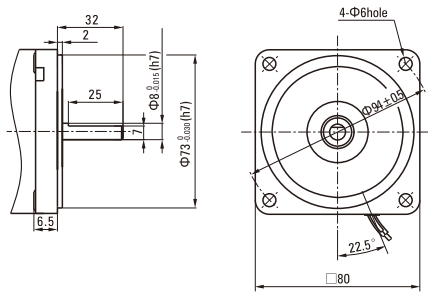
● 减速器型号的□中为减速比的数值  
Enter the gear ratio in the box (□) within the model name

● 键·键槽 (减速器附件) Key · Keyway(Accessory Of Gearhead)



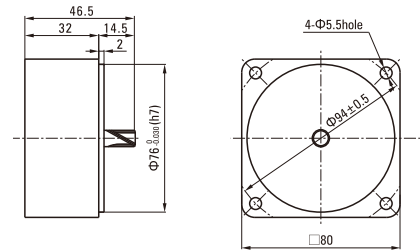
● 圆轴型的转轴部分 Shaft Section Of Round Shaft Type

除重量及轴部外电动机外形与齿轮轴型相同。  
Excluding weight and the shaft section motor shape are the same as those of the pinion shaft type.



● 中间减速器 Decimal Gearhead

可安装在GN齿轮轴型上 Can be connected to GN pinion shaft type  
电动机外形与齿轮轴型相同  
4GN10XK  
重量 Weight : 0.41kg



■ 电容器外形尺寸 Formal Dimension Of Capacitor

型号 Model		电容器型号 Capacitor Model	L	W	H
齿轮轴型 Pinion Shaft	圆轴型 Round Shaft				
4IK25GN-A□	4IK25A-A□	ZD80CFAUL	48	26.5	38
4IK25GN-E□	4IK25A-E□	ZD70CFAUL	47	24	37
4IK25GN-C□	4IK25A-C□	ZD18BFAUL	36	13.5	24

- 常规电容器出线为引线,也可根据客户要求配置插片式187#  
Note: Conventional capacitor is a lead wire type. Inserted 187# is optional
- 电动机型号的□中为表示带端子箱型的记号(T)  
Enter the code that represents the terminal box type "T" in the box (□) within the model name

