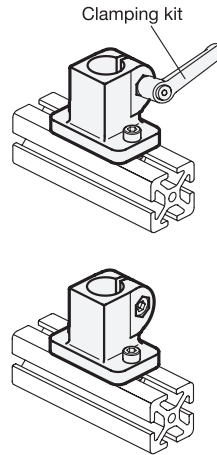
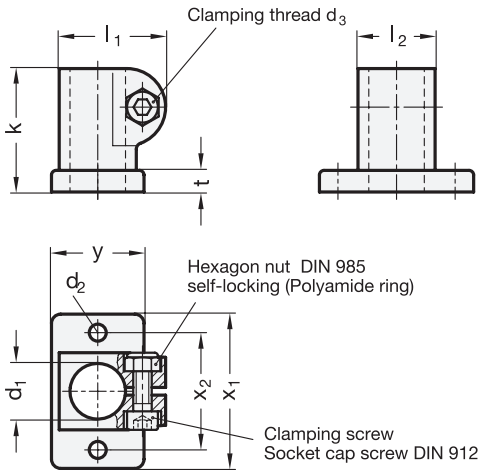


GN 162.3

Aluminium / Stainless Steel

Base plate connector clamps

with 2 mounting holes



2 Identification no.
2 with Stainless Steel-clamping screw DIN 912

1

d ₁ Bohrung B	d ₂	d ₃ Clamping thread	k Clamping length	l ₁	l ₂	t	x ₁	x ₂	y	Clamping kit for d ₃		
										Lever Zinc die casting	Lever Stainless Steel	
Aluminium	Stainless Steel											
B 10	-	5,5	M 6	40	34,5	25	7	50	38	30	GN 911-M6-22	GN 911.3-M6-22
B 12	B 12	5,5	M 6	40	34,5	25	7	50	38	30	GN 911-M6-22	GN 911.3-M6-22
B 14	B 14	5,5	M 6	40	34,5	25	7	50	38	30	GN 911-M6-22	GN 911.3-M6-22
B 15	B 15	5,5	M 6	40	34,5	25	7	50	38	30	GN 911-M6-22	GN 911.3-M6-22
B 16	B 16	5,5	M 6	40	34,5	25	7	50	38	30	GN 911-M6-22	GN 911.3-M6-22
B 18	B 18	5,5	M 6	40	34,5	25	7	50	38	30	GN 911-M6-22	GN 911.3-M6-22

Specification

- Aluminium
 - plastic coated black, RAL 9005, textured finish ● **SW**
 - blank ○ **BL**
 - matt shot-blasted
- Stainless Steel AISI CF-8 **NI**
matt shot-blasted
- Clamping bores mechanically machined
- Socket cap screws DIN 912
Stainless Steel AISI 304
- Hexagon nuts DIN 985
Stainless Steel AISI 304
- Stainless Steel characteristics → Page 1144
- RoHS compliant

Accessory

- Clamping kits GN 911 / GN 911.3
→ New products

3

Information

The clamping bore of the base plate connector clamps GN 162.3 is mechanically machined and designed for construction tubes GN 990 or DIN 2391, DIN 2395 and DIN 2462 respectively.

Base plate connector clamps GN 162.3 are also suitable for mounting on **profile systems**.

The standard clamping screws are socket cap screws DIN 912. They can be replaced by clamping kits GN 911 / GN 911.3 (article code see table of dimensions).

see also...

- Construction tubes GN 990 → Page 1027
- Base plate connector clamps GN 162 (with 4 retaining bores) → Page 988

Base plate connector clamp	1	d ₁
GN 162.3-B14-2-SW	2	Identification
	3	Finish

Stainless Steel-Base plate connector clamp	1	d ₁
GN 162.3-B12-2-NI	2	Identification
	3	Material

2.1
2.2
2.3
2.4
2.5
2.6
2.7
2.8
2.9